



## UMRP PRICE BOOK

April 15th, 2022

**VAH Distributing**  
Specializing in Premium Brands  
A DIVISION OF VENT-A-HOOD, LTD.

www.vahdistributing.com  
1000 N. Greenville Ave.  
Richardson, Texas 75081-2799

**TOLL-FREE: 888.557.8368**  
**FAX: 972.231.0663**  
**sales@vahdistributing.com**





# Vent-A-Hood®

## TERMS AND CONDITIONS OF SALE

1. Terms:
  - a. Minimum order of \$15.00 net.
  - b. Net 30 days with approved credit.
2. Prices:
  - a. All prices are subject to change at any time without notice.
  - b. All prices are F.O.B. Vent-A-Hood® Company, Richardson, Texas.
3. Cancellation:
  - a. Hoods which are fabricated to purchase orders are non-cancelable upon acceptance by the factory.
  - b. Any change orders must be confirmed in writing to Vent-A-Hood® at the address below and are subject to our ability to conform.

VAH Distributing  
1000 N. Greenville Ave  
Richardson, TX 75081
4. Returns:
  - a. No merchandise may be returned without written consent and shipping instructions.
  - b. Authorized returns are subject to a 25% restocking charge and freight charges.
  - c. Special order items are not subject to return or cancellation.
5. Stock Items:
  - a. Shaded boxed prices in this document indicate stock item products.
6. Vent-A-Hood® Warranty
  - a. Vent-A-Hood® merchandise is manufactured in accordance with Vent-A-Hood®'s high standards and carries a limited warranty.
  - b. Vent-A-Hood® Magic Lung® Warranty:

Vent-A-Hood® warrants to the original consumer-purchaser its Magic Lung® products to be free of defects in material and workmanship for a period of five years on parts and one year on labor from the date of purchase with the following limitations:

    - A. Freight damage
    - B. Blower wheel damage
    - C. Light bulbs
    - D. Damage or malfunction caused by faulty installation
    - E. Incidental or consequential damage
    - F. Commercial application
    - G. Misapplication or modification of or to any part of the Vent-A-Hood® product
  - c. Vent-A-Hood® V-Line, ARS, M Series, and Remote Blower Warranty:

Vent-A-Hood warrants to the original consumer-purchaser its products to be free of defects in material and workmanship for a period of one year from the date of purchase with the following limitations:

    - A. Freight damage
    - B. Blower wheel damage
    - C. Light bulbs
    - D. Damage or malfunction caused by faulty installation
    - E. Incidental or consequential damage
    - F. Commercial application
    - G. Misapplication or modification of or to any part of the Vent-A-Hood® product
  - d. To make a warranty claim, contact us at [sales@vahdistributing.com](mailto:sales@vahdistributing.com). It is not necessary to register the product directly with Vent-A-Hood®.

Top Photo on Cover:  
Design by Shay Geyer, Owner & Designer, IBB Design  
Photography by Dan Piassick

**Join Us!**



**Follow Us!**



# TABLE OF CONTENTS - BY APPLICATION/HOOD TYPE

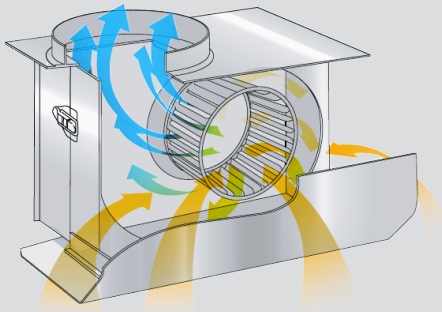
<b>MAGIC LUNG® RANGE HOODS</b>		<b>EPITH18</b>	65
<b>UNDER CABINET</b>		<b>SEPIH18</b>	66
PRH9	12	<b>OTHER ISLAND STYLES</b>	67
NPH9	12	<b>LINER INSERTS</b>	
SLH9	13	<b>WALL MOUNT LINER INSERTS</b>	
XRH9	13	BHSLD	68
CLH9	14	BHPSLD	68
JCWR9	14	BHPSLB	68
<b>WALL MOUNT</b>		<b>ISLAND LINER INSERTS</b>	
<b>CONTEMPORARY WALL MOUNT</b>		THSLE	69
CWEH9	15	THPSLE	69
CWLH9	16	<b>CUSTOM LINER INSERTS</b>	
CWSH3	17	BH-LD	70
XLH12	18	BH-LB	70
ZTH	19	TH-LC	71
<b>18" TALL WALL MOUNT</b>		TH-LE	71
PRH18	20	<b>OTHER ITEMS</b>	
NPH18	21	<b>BLOWER OPTIONS</b>	72
SLH18	22	<b>REMOTE BLOWERS</b>	73
XRH18	23	<b>SPLASH PANELS</b>	74
DAH18	24	<b>WARMING LAMPS &amp; SHELVES</b>	75
PWVH18	25	<b>ACCESSORY RAIL</b>	76
<b>EURO-STYLE WALL MOUNT</b>		<b>BBQ EXTENSION</b>	77
PDH14	26	<b>BANDS, FINISHES &amp; RAILS</b>	78
SLDH14	27	<b>DECORATIVE ATTACHMENTS</b>	79
PDL14	28	<b>V-LINE RANGE HOODS</b>	
EPH18	29	<b>UNDER CABINET</b>	
NEPH18	30	PRH6-K	81
SEPH18	31	SLH6-K	81
EPH18	32	<b>CONTEMPORARY WALL MOUNT</b>	
NEPTH18	33	CWEH6-K	82
SEPTH18	34	GTH-K	83
<b>30" TALL WALL MOUNT</b>		<b>EURO-STYLE WALL MOUNT</b>	
CXH30	35	PDH7-K	84
DAH30	36	PDH14-K	85
PWVH30	37	<b>CONTEMPORARY ISLAND</b>	
SLH30	38	CIEH6-K	86
<b>OTHER WALL MOUNT STYLES</b>		<b>WALL MOUNT LINER INSERT</b>	
AH12	39	KHSLD	87
CWH	40	<b>ARS DUCT FREE RANGE HOODS</b>	
TLH	41	<b>UNDER CABINET</b>	
<b>DESIGNER SERIES</b>		PRAH6-K	89
<b>WALL MOUNT</b>		SLAH6-K	89
JCH/A1	42	<b>CONTEMPORARY WALL MOUNT</b>	
JCH/B1	43	CWEAH6-K	90
JCH/C1	44	<b>EURO-STYLE WALL MOUNT</b>	
JCH/C2	45	PDAH7-K	91
JDH/C1	46	PDAH14-K	92
JDH/C2	47	<b>CONTEMPORARY ISLAND</b>	
JDH/C3	48	CIEAH6-K	93
JCWR18	49	<b>EURO-STYLE ISLAND</b>	
JPH/C1	50	PYDAH18-K	94
JPH/C2	51	ISDAH18-K	95
<b>ISLAND</b>		<b>WALL MOUNT LINER INSERT</b>	
JCIH/A1	52	KAHSLD	96
JCIH/B1	53	<b>M LINE RANGE HOODS</b>	
JCIH/C1	54	<b>18" TALL WALL MOUNT</b>	
JDIH/C1	55	PRH18-M	98
JDIH/C2	56	PRH18-M 30"D	99
JDIH/C3	57	CXH18-M	100
<b>ISLAND</b>		<b>EURO-STYLE WALL MOUNT</b>	
<b>CONTEMPORARY ISLAND</b>		EPH18-M	101
CIEH9	58	EPH18-M 32"D	102
CILH9	59	<b>WALL MOUNT LINER INSERTS</b>	
IZTH	60	M-SLD	103
<b>EURO-STYLE ISLAND</b>		M-PSLD	103
PYDH18	61	<b>PARTS &amp; ACCESSORIES</b>	
ISDH18	62	<b>VENTING ACCESSORIES</b>	104
EPIH18	63	<b>REPLACEMENT PARTS</b>	105
SEPIH18	64		



# TABLE OF CONTENTS - BY MODEL NUMBER

AH12	39	PYDAH18-K	94
BH-LB	70	PYDH18	61
BH-LD	70	SEPH18	31
BHPSLB	68	SEPIH18	64
BHPSLD	68	SEPITH18	66
BHSLD	68	SEPTH18	34
CIEAH6-K	93	SLAH6-K	89
CIEH6-K	86	SLDH14	27
CIEH9	58	SLH6-K	81
CILH9	59	SLH9	13
CLH9	14	SLH18	22
CWEAH6-K	90	SLH30	38
CWEH6-K	82	TH-LC	71
CWEH9	15	TH-LE	71
CWH	40	THPSLE	69
CWLH9	16	THSLE	69
CWSH3	17	TLH	41
CXH18-M	100	XLH12	18
CXH30	35	XRH9	13
DAH18	24	XRH18	23
DAH30	36	ZTH	19
EPH18	29		
EPH18-M	101		
EPH18-M 32"D	102		
EPIH18	63		
EPITH18	65		
EPTH18	32		
GTH-K	83		
ISDAH18-K	95		
ISDH18	62		
IZTH	60		
JCH/A1	42		
JCH/B1	43		
JCH/C1	44		
JCH/C2	45		
JCIH/A1	52		
JCIH/B1	53		
JCIH/C1	54		
JCWR9	14		
JCWR18	49		
JDH/C1	46		
JDH/C2	47		
JDH/C3	48		
JDIH/C1	55		
JDIH/C2	56		
JDIH/C3	57		
JPH/C1	50		
JPH/C2	51		
KAHSLD	96		
KHSLD	87		
M-PSLD	103		
M-SLD	103		
NEPH18	30		
NEPTH18	33		
NPH9	12		
NPH18	21		
PDAH7-K	91		
PDAH14-K	92		
PDH7-K	84		
PDH14	26		
PDH14-K	85		
PDL14	28		
PRAH6-K	89		
PRH6-K	81		
PRH9	12		
PRH18	20		
PRH18-M	98		
PRH18-M 30"D	99		
PWVH18	25		
PWVH30	37		



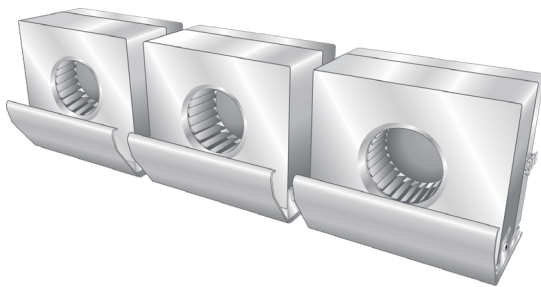
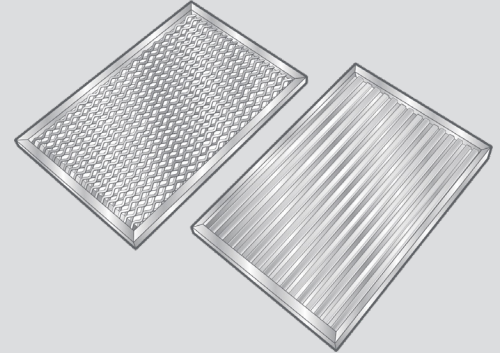


OUR PREMIUM MAGIC LUNG<sup>®</sup> BLOWER  
CONSTANT 99% CENTRIFUGAL  
GREASE EXTRACTION

## GREASE EXTRACTION

The patented Magic Lung<sup>®</sup> centrifugal grease extractor collects 99% of the grease 100% of the time (University of Minnesota)

SCREEN/BAFFLE FILTER  
5% TO 60% VARIABLE  
GREASE EXTRACTION



THE QUIETEST VENTILATION AVAILABLE

300 CFM=5.4 SONES  
600 CFM=6.5 SONES  
900 CFM=6.3 SONES  
1200 CFM=6.6 SONES

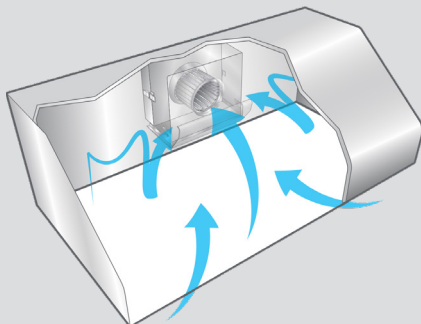
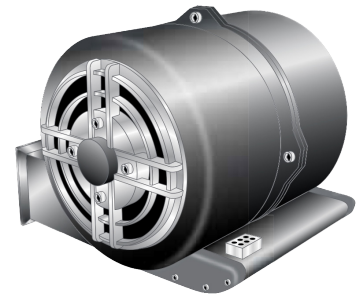
## QUIET AND POWERFUL

Each Magic Lung<sup>®</sup> blower supplies 300 CFM of air flow—combining multiple blowers will meet any air flow requirement without increasing the noise level.

Variable speed blowers become louder and louder as CFM increases.

NOISY VARIABLE SPEED BLOWER

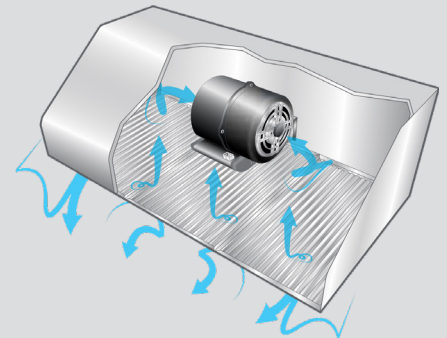
300 CFM=6.0 SONES  
600 CFM=9.0 SONES  
900 CFM=12.0 SONES  
1200 CFM=15.0 SONES



LARGE ACTIVE CANOPY  
REMOVES CONTAMINANTS

## EFFICIENT

Filters obstruct air flow and spoil the collector properties of the canopy. A range hood equipped with the Magic Lung<sup>®</sup> blower system is a wide open, active collector that invites contaminants in. A proper collector is the most critical element for good cooking ventilation and requires 1/3 less air flow than a filter-style range hood.



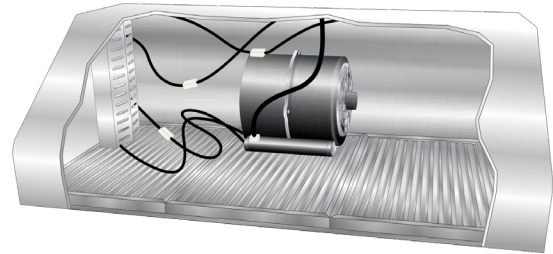
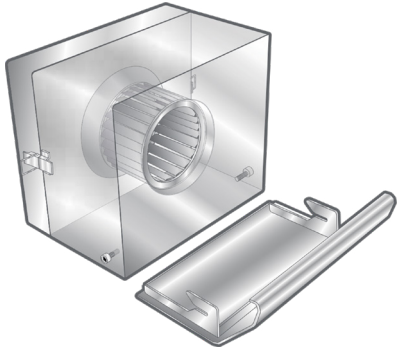
CLOSED CANOPY  
RESTRICTS AIR FLOW



NEW, SIMPLE SLIDE-OFF GREASE TRAY  
BLOWER HOUSING SNAPS APART  
FOR FAST CLEANING

**EASY TO CLEAN**

Cleaning the grease from behind the filter is nearly impossible. Access is limited by components and sharp protrusions. Even the motor gets greasy. The new in-the-shield grease tray makes routine cleaning easier than ever. If desired, the **Magic Lung**<sup>®</sup> blower comes apart for easy cleaning in soapy water or a dishwasher.



DIFFICULT TO CLEAN  
GREASE ESCAPING THE FILTERS  
COATS THE MOTORS AND WIRING



NO GREASY FILTER TO  
SUSTAIN A SECONDARY FIRE

FLAME HAS  
NO ACCESS TO  
SECONDARY SOURCES  
OF COMBUSTION

**FIRE SAFETY**

The **Magic Lung**<sup>®</sup> constant-speed blower is designed to keep grease and flame from entering the duct. In over 75 years, Vent-A-Hood has never received a report of an attic or wall fire when the **Magic Lung**<sup>®</sup> has been in use.



GREASY FILTERS AND  
DUCTING ARE FLAMMABLE

FLAME HAS DIRECT ACCESS TO  
MULTIPLE SOURCES OF COMBUSTION



**WARRANTY**



We've got you covered with the best warranty in the industry. Vent-A-Hood<sup>®</sup> has long been the most respected name in ventilation. Our products are guaranteed to work and we stand on over 75 years of manufacturing the highest quality ventilation products. Our family is devoted to your satisfaction.

# KEYS TO SUPERIOR VENTILATION

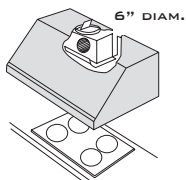
## BLOWER(S) • CANOPY • DUCTING

- The first question you should ask a customer is how many BTUs or wattage are produced by the type of cooking equipment that is in their kitchen.
- The hood, blower system and ducting should be designed to handle the heat being produced from the cooking surface.
- Refer to chart below to determine how many CFM (Cubic Feet per Minute) are needed.

### Match Number of Blowers to Cooking Equipment

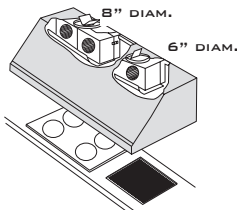
HOOD TYPE	COOKING EQUIPMENT TYPES:		MAGIC LUNG® BLOWER(S) (TRUE CFM)	COMPETITOR EQUIVALENT CFM*
	MULTI-BURNER COOKTOP RATING (BTU/WATTS)	BBQ, WOK OR GRIDDLE (BTU/WATTS)		
WALL-MOUNT OR UNDER CABINET	12,000 WATTS	12,000 WATTS	240 CFM K SERIES BLOWER 300 CFM B100 SINGLE BLOWER	360 CFM 450 CFM
UNDER-CABINET	40,000 - 60,000 BTU 24,000 WATTS	40,000 - 60,000 BTU 24,000 WATTS	600 CFM (B200 DUAL BLOWER)	900 CFM
WALL-MOUNT	40,000 - 60,000 BTU	40,000 - 60,000 BTU 24,000 WATTS	600 CFM (B200 DUAL BLOWER)	900 CFM
WALL-MOUNT	60,000 - 90,000 BTU	60,000 BTU 36,000 WATTS	900 CFM (ONE B100 SINGLE BLOWER PLUS ONE B200 DUAL BLOWER)	1350 CFM
WALL-MOUNT	80,000 - 120,000 BTU	80,000 BTU 48,000 WATTS	1200 CFM (TWO B200 DUAL BLOWERS)	1800 CFM
ISLAND	40,000 - 60,000 BTU	40,000 BTU 24,000 WATTS	550 CFM (T200 ISLAND DUAL BLOWER)	900 CFM
ISLAND	80,000 - 120,000 BTU	80,000 BTU 48,000 WATTS	1100 CFM (T400 ISLAND CLUSTER BLOWER)	1800 CFM

\* Because the Magic Lung® uses centrifugal filtration units rather than conventional baffle or mesh filters, the Magic Lung® Blower can handle cooking equipment with higher cubic feet per minute (CFM) requirements and is much more efficient than other filtration systems. When comparing Magic Lung® blowers to that of other competitor units, Magic Lung CFM ratings reflect true CFM ratings. For example, a competitor's 1800 CFM blower unit has a performance equivalent CFM of 1200 CFM.

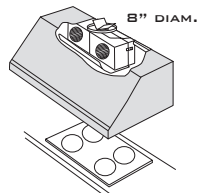
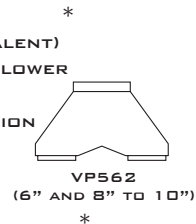


- 300 CFM (450 CFM EQUIVALENT)
- B100 SINGLE BLOWER
- 6" DIAMETER VENT

\*

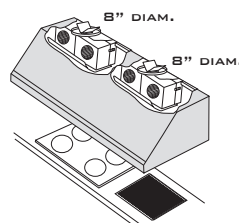


- 900 CFM (1,350 CFM EQUIVALENT)
- B200 DUAL & B100 SINGLE BLOWER
- 8" AND 6" DIAMETER VENTS
- VP562 MULTI BLOWER TRANSITION

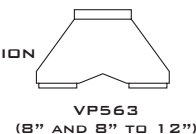


- 600 CFM (900 CFM EQUIVALENT)
- B200 DUAL BLOWER
- 8" DIAMETER VENT

\*



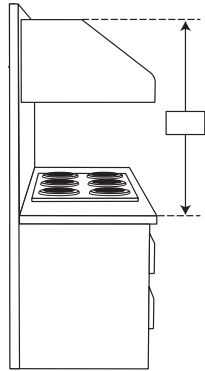
- 1200 CFM (1,800 CFM EQUIVALENT)
- TWO B200 DUAL BLOWERS
- TWO 8" DIAMETER VENTS
- VP563 MULTI BLOWER TRANSITION





# KEYS TO SUPERIOR VENTILATION

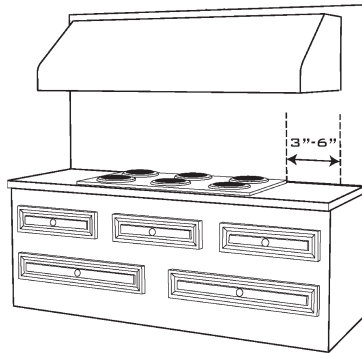
## CANOPY SIZE AND PLACEMENT



### WHAT HEIGHT HOOD DO YOU NEED?

THE HOOD HEIGHT IS DEPENDENT UPON THE DISTANCE BETWEEN YOUR COOKING SURFACE AND YOUR CABINET, SOFFIT, OR CEILING.

- 6" UNDER CABINET - FOR 27" TO 30"
- 9" UNDER CABINET - FOR 30" TO 33"
- 18" WALL MOUNT - FOR 48"+
- 30" WALL MOUNT - FOR 60"+



### WHAT WIDTH HOOD DO YOU NEED?

WHEREVER POSSIBLE, THE WIDTH OF THE HOOD SHOULD OVERLAP THE BURNERS 3"-6" ON EACH SIDE. THIS IS A MUST FOR ISLANDS.

- 30"  36"  42"  48"
- 54"  60"  66"  CUSTOM

### WHAT DEPTH HOOD DO YOU NEED?

THE HOOD SHOULD BE DEEP ENOUGH TO COVER ALL BURNERS.

- UNDER CABINET 19-1/2" OR 21" (STANDARD)
- WALL MOUNT 24" STANDARD - MOST PRO-STYLE  
27" PRO-STYLE COOKING
- ISLAND HOOD 27" STANDARD COOKING  
30" PRO-STYLE COOKING

## DUCTING - USE CORRECT SIZE AND INSTALL PROPERLY

### DUCTING DO'S AND DON'TS

- NEVER RESTRICT DUCT SIZE
- RUN THE DUCT AS SHORT AND STRAIGHT AS POSSIBLE
- ENLARGE THE DUCT FOR LONGER RUNS (OVER 20')
- SEAL ALL JOINTS WITH DUCT TAPE
- MAINTAIN 4 TO 5 FOOT SPACING BETWEEN TURNS
- TURNS SHOULD BE SMOOTH AND GRADUAL

### DUCT SIZES

- 12 INCH ROUND DUCT = 113 SQUARE INCHES OF SPACE
- 10 INCH ROUND DUCT = 79 SQUARE INCHES OF SPACE
- 8 INCH ROUND DUCT = 50 SQUARE INCHES OF SPACE
- 7 INCH ROUND DUCT = 38 SQUARE INCHES OF SPACE
- 6 INCH ROUND DUCT = 28 SQUARE INCHES OF SPACE
- 4 INCH ROUND DUCT = 13 SQUARE INCHES OF SPACE



SMOOTH WALLED DUCT

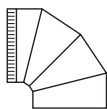


FLEXIBLE DUCT

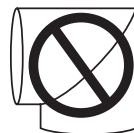


WALL LOUVER

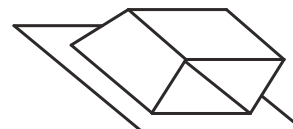
- 6" ROUND VP526
- 8" ROUND VP528
- 10" ROUND VP554
- 12" ROUND VP555



SMOOTH GRADUAL TURN

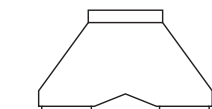


SHARP ANGLED TURN



ROOF JACK

- 6" ROUND VP539-HP
- 8" ROUND VP541-HP
- 10" ROUND VP552-HP
- 12" ROUND VP553-HP



PROPER COMBINING OF TWO DUCTS



IMPROPER COMBINING OF TWO DUCTS

\*INCLUDES GRAVITY DAMPER - USING OTHER LIKE PRODUCTS MAY JEOPARDIZE PERFORMANCE

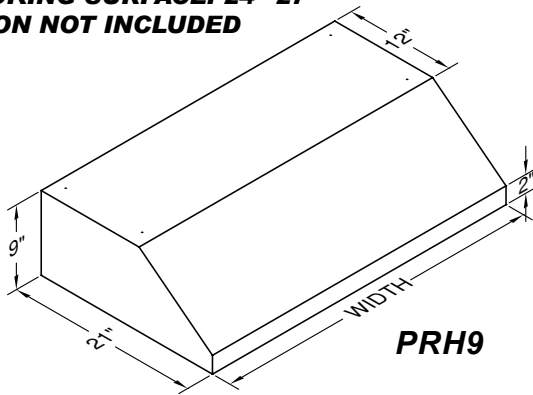


*Vent-A-Hood*<sup>®</sup>

**Magic Lung<sup>®</sup>  
Range Hoods**

# PRH9 & NPH9 UNDER CABINET RANGE HOODS

**RECOMMENDED MOUNTING HEIGHT FROM COOKING SURFACE: 24"-27" TRANSITION NOT INCLUDED**



**PRH9**

MODEL NO.	WIDTH	PAINTED	STAINLESS	OVERLAY*	#LTS
<b>WITH SINGLE BLOWER (300 CFM)</b>					
PRH9-130	30	928	1179	1791	2
PRH9-136	36	928	1179	1791	2
PRH9-142	42	1104	1355	2021	3
PRH9-148	48	1161	1413	2077	3
<b>WITH DUAL BLOWER (600 CFM)</b>					
PRH9-230	30	1335	1621	2194	2
PRH9-236	36	1335	1621	2194	2
PRH9-242	42	1508	1798	2425	3
PRH9-248	48	1564	1854	2481	3
<b>WITH DUAL &amp; SINGLE BLOWERS (900 CFM)</b>					
PRH9-342	42	1936	2326	2853	3
PRH9-348	48	1992	2384	2909	3
<b>WITH TWO DUAL BLOWERS (1200 CFM)</b>					
PRH9-448	48	2396	2825	3313	3

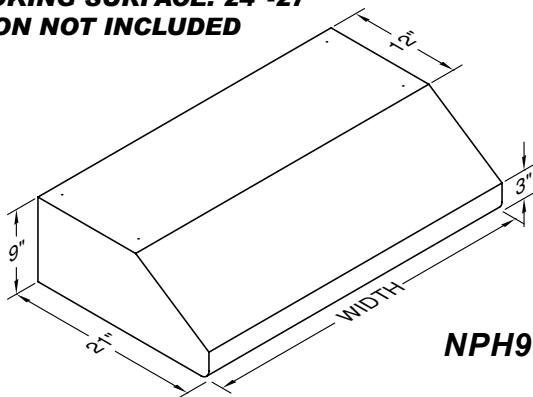
\*FOR OVERLAY HOODS, SPECIFY INTERIOR COLOR

USE VP562 TRANSITION (OPTIONAL) ON 900 CFM MODELS TO COMBINE OUTLETS INTO A SINGLE 10" DUCT.  
 USE VP563 TRANSITION (OPTIONAL) ON 1200 CFM MODELS TO COMBINE OUTLETS INTO A SINGLE 12" DUCT.

## PRH9 UNDER CABINET HOOD VARIATIONS

WIDTHS OVER 48"	PAINTED	STAINLESS	OVERLAY	STAINLESS STEEL INTERIOR ON OVERLAY HOOD
FOR EACH 6" SEGMENT	204	292	363	SUBTRACT PAINTED PRICE OF HOOD FROM STAINLESS PRICE OF HOOD
PLUS		263		CUSTOM COLOR (SEE CUSTOM COLOR CHART)
<b>SPECIAL WIDTH (LESS THAN 48")</b>				ADD 822
USE NEXT LARGEST SIZE ON PRICE LIST				<b>REMOTE BLOWER OPTIONS</b>
PLUS		263		SEE PAGES 68-69 FOR REMOTE BLOWER OPTIONS
<b>SPECIAL BLOWER LOCATION</b>				<b>TRIM OPTIONS</b>
LEFT TO RIGHT, SPECIFY COLLAR CENTERLINE				SEE PAGES 74-75 FOR FINISH AND TRIM OPTIONS
ADD		263		<b>WARMING LAMPS AND SHELVES</b>
				SEE PAGES 71 FOR WARMING LAMP AND SHELF OPTIONS

**RECOMMENDED MOUNTING HEIGHT FROM COOKING SURFACE: 24"-27" TRANSITION NOT INCLUDED**



**NPH9**

MODEL NO.	WIDTH	PAINTED	STAINLESS	OVERLAY*	#LTS
<b>WITH SINGLE BLOWER (300 CFM)</b>					
NPH9-130	30	1126	1487	2199	2
NPH9-136	36	1126	1487	2199	2
NPH9-142	42	1356	1747	2513	3
NPH9-148	48	1425	1817	2596	3
<b>WITH DUAL BLOWER (600 CFM)</b>					
NPH9-230	30	1529	1929	2603	2
NPH9-236	36	1529	1929	2603	2
NPH9-242	42	1760	2188	2915	3
NPH9-248	48	1829	2259	2999	3
<b>WITH DUAL &amp; SINGLE BLOWERS (900 CFM)</b>					
NPH9-342	42	2188	2718	3345	3
NPH9-348	48	2257	2788	3429	3
<b>WITH TWO DUAL BLOWERS (1200 CFM)</b>					
NPH9-448	48	2660	3230	3831	3

\*FOR OVERLAY HOODS, SPECIFY INTERIOR COLOR

USE VP562 TRANSITION (OPTIONAL) ON 900 CFM MODELS TO COMBINE OUTLETS INTO A SINGLE 10" DUCT.  
 USE VP563 TRANSITION (OPTIONAL) ON 1200 CFM MODELS TO COMBINE OUTLETS INTO A SINGLE 12" DUCT.

## NPH9 UNDER CABINET HOOD VARIATIONS

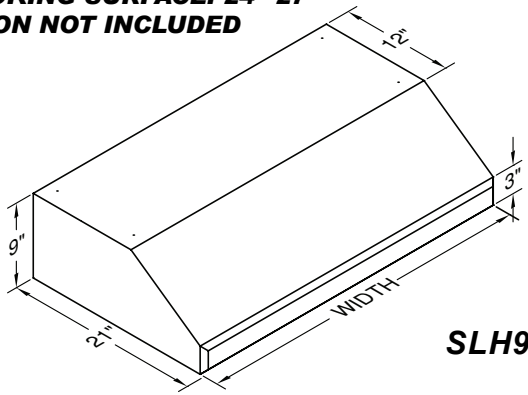
WIDTHS OVER 48"	PAINTED	STAINLESS	OVERLAY	STAINLESS STEEL INTERIOR ON OVERLAY HOOD
FOR EACH 6" SEGMENT	204	292	363	SUBTRACT PAINTED PRICE OF HOOD FROM STAINLESS PRICE OF HOOD
PLUS		263		CUSTOM COLOR (SEE CUSTOM COLOR CHART)
<b>SPECIAL WIDTH (LESS THAN 48")</b>				ADD 822
USE NEXT LARGEST SIZE ON PRICE LIST				<b>REMOTE BLOWER OPTIONS</b>
PLUS		263		SEE PAGES 68-69 FOR REMOTE BLOWER OPTIONS
<b>SPECIAL BLOWER LOCATION</b>				<b>TRIM OPTIONS</b>
LEFT TO RIGHT, SPECIFY COLLAR CENTERLINE				SEE PAGES 74-75 FOR FINISH AND TRIM OPTIONS
ADD		263		<b>WARMING LAMPS AND SHELVES</b>
				SEE PAGES 71 FOR WARMING LAMP AND SHELF OPTIONS





# SLH9 & XRH9 UNDER CABINET RANGE HOODS

**RECOMMENDED MOUNTING HEIGHT FROM COOKING SURFACE: 24"-27" TRANSITION NOT INCLUDED**



**SLH9**

MODEL NO.	WIDTH	PAINTED	STAINLESS	OVERLAY*	#LTS
<b>WITH SINGLE BLOWER (300 CFM)</b>					
SLH9-130	30	1126	1487	2199	2
SLH9-136	36	1126	1487	2199	2
SLH9-142	42	1356	1747	2513	3
SLH9-148	48	1425	1817	2596	3
<b>WITH DUAL BLOWER (600 CFM)</b>					
SLH9-230	30	1529	1929	2603	2
SLH9-236	36	1529	1929	2603	2
SLH9-242	42	1760	2188	2915	3
SLH9-248	48	1829	2259	2999	3
<b>WITH DUAL &amp; SINGLE BLOWERS (900 CFM)</b>					
SLH9-342	42	2188	2718	3345	3
SLH9-348	48	2257	2788	3429	3
<b>WITH TWO DUAL BLOWERS (1200 CFM)</b>					
SLH9-448	48	2660	3230	3831	3

\*FOR OVERLAY HOODS, SPECIFY INTERIOR COLOR.

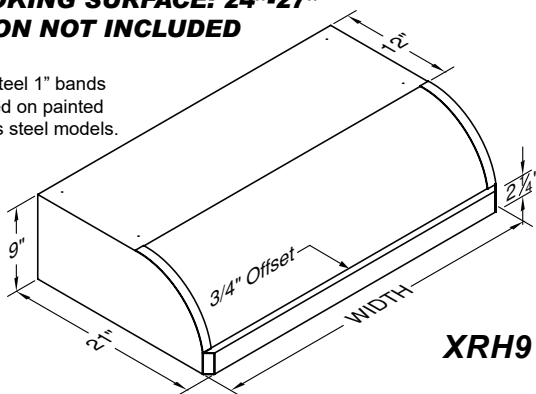
USE VP562 TRANSITION (OPTIONAL) ON 900 CFM MODELS TO COMBINE OUTLETS INTO A SINGLE 10" DUCT.  
 USE VP563 TRANSITION (OPTIONAL) ON 1200 CFM MODELS TO COMBINE OUTLETS INTO A SINGLE 12" DUCT.

## SLH9 UNDER CABINET HOOD VARIATIONS

WIDTHS OVER 48"	PAINTED	STAINLESS	OVERLAY	STAINLESS STEEL INTERIOR ON OVERLAY HOOD
FOR EACH 6" SEGMENT	204	292	363	SUBTRACT PAINTED PRICE OF HOOD FROM STAINLESS PRICE OF HOOD
PLUS		263		CUSTOM COLOR (SEE CUSTOM COLOR CHART)
<b>SPECIAL WIDTH (LESS THAN 48")</b>				ADD 822
USE NEXT LARGEST SIZE ON PRICE LIST				<b>REMOTE BLOWER OPTIONS</b>
PLUS		263		SEE PAGES 68-69 FOR REMOTE BLOWER OPTIONS
<b>SPECIAL BLOWER LOCATION</b>				<b>TRIM OPTIONS</b>
LEFT TO RIGHT, SPECIFY COLLAR CENTERLINE				SEE PAGES 74-75 FOR FINISH AND TRIM OPTIONS
ADD		263		<b>WARMING LAMPS AND SHELVES</b>
				SEE PAGES 71 FOR WARMING LAMP AND SHELF OPTIONS

**RECOMMENDED MOUNTING HEIGHT FROM COOKING SURFACE: 24"-27" TRANSITION NOT INCLUDED**

Stainless steel 1" bands are included on painted and stainless steel models.



**XRH9**

MODEL NO.	WIDTH	PAINTED	STAINLESS	OVERLAY*	#LTS
<b>WITH SINGLE BLOWER (300 CFM)</b>					
XRH9-130	30	1179	1563	2317	2
XRH9-136	36	1179	1563	2317	2
XRH9-142	42	1387	1790	2567	3
XRH9-148	48	1460	1862	2653	3
<b>WITH DUAL BLOWER (600 CFM)</b>					
XRH9-230	30	1583	2007	2720	2
XRH9-236	36	1583	2007	2720	2
XRH9-242	42	1791	2231	2971	3
XRH9-248	48	1863	2304	3056	3
<b>WITH DUAL &amp; SINGLE BLOWERS (900 CFM)</b>					
XRH9-342	42	2219	2761	3399	3
XRH9-348	48	2292	2833	3485	3
<b>WITH TWO DUAL BLOWERS (1200 CFM)</b>					
XRH9-448	48	2695	3275	3888	3

\*FOR OVERLAY HOODS, SPECIFY INTERIOR COLOR  
 \*NO BANDS ON OVERLAY MODELS

USE VP562 TRANSITION (OPTIONAL) ON 900 CFM MODELS TO COMBINE OUTLETS INTO A SINGLE 10" DUCT.  
 USE VP563 TRANSITION (OPTIONAL) ON 1200 CFM MODELS TO COMBINE OUTLETS INTO A SINGLE 12" DUCT.

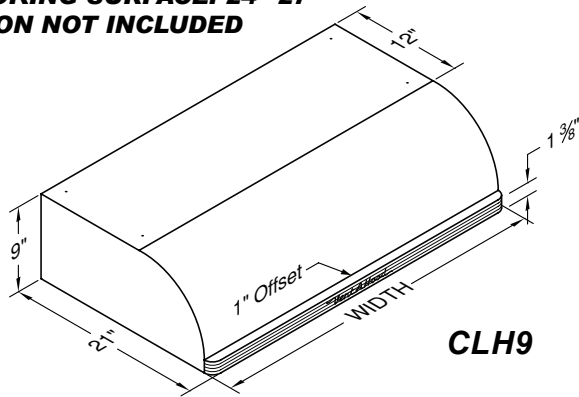
## XRH9 UNDER CABINET HOOD VARIATIONS

WIDTHS OVER 48"	PAINTED	STAINLESS	OVERLAY	SPECIAL BLOWER LOCATION
FOR EACH 6" SEGMENT	204	292	363	LEFT TO RIGHT, SPECIFY COLLAR CENTERLINE
PLUS		263		ADD 263
<b>SPECIAL WIDTH (LESS THAN 48")</b>				<b>REMOTE BLOWER OPTIONS</b>
USE NEXT LARGEST SIZE ON PRICE LIST				SEE PAGES 68-69 FOR REMOTE BLOWER OPTIONS
PLUS		263		<b>TRIM OPTIONS</b>
<b>STAINLESS STEEL INTERIOR ON OVERLAY HOOD</b>				BANDS, NON-STANDARD COLOR 131
SUBTRACT PAINTED PRICE OF HOOD FROM STAINLESS PRICE OF HOOD				TO REMOVE BANDS 131
CUSTOM COLOR (SEE CUSTOM COLOR CHART)				SEE PAGES 74-75 FOR FINISH AND TRIM OPTIONS
ADD		822		<b>WARMING LAMPS AND SHELVES</b>
				SEE PAGES 71 FOR WARMING LAMP AND SHELF OPTIONS



# CLH9 & JCWR9 UNDER CABINET RANGE HOODS

**RECOMMENDED MOUNTING HEIGHT FROM COOKING SURFACE: 24"-27" TRANSITION NOT INCLUDED**



**CLH9**

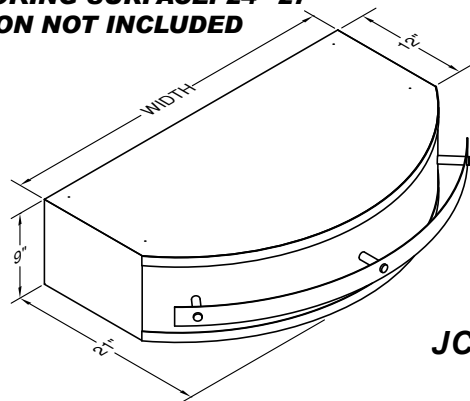
MODEL NO.	WIDTH	PAINTED	#LTS
<b>WITH SINGLE BLOWER (300 CFM)</b>			
CLH9-130	30	1168	2
CLH9-136	36	1168	2
CLH9-142	42	1374	3
CLH9-148	48	1446	3
<b>WITH DUAL BLOWER (600 CFM)</b>			
CLH9-230	30	1568	2
CLH9-236	36	1568	2
CLH9-242	42	1774	3
CLH9-248	48	1845	3
<b>WITH DUAL &amp; SINGLE BLOWERS (900 CFM)</b>			
CLH9-342	42	2198	3
CLH9-348	48	2271	3
<b>WITH TWO DUAL BLOWERS (1200 CFM)</b>			
CLH9-448	48	2670	3

USE VP562 TRANSITION (OPTIONAL) ON 900 CFM MODELS TO COMBINE OUTLETS INTO A SINGLE 10" DUCT.  
 USE VP563 TRANSITION (OPTIONAL) ON 1200 CFM MODELS TO COMBINE OUTLETS INTO A SINGLE 12" DUCT.

## CLH9 UNDER CABINET HOOD VARIATIONS

<b>WIDTHS OVER 48"</b>		<b>SPECIAL BLOWER LOCATION</b>
FOR EACH 6" SEGMENT	PAINTED 204	LEFT TO RIGHT, SPECIFY COLLAR CENTERLINE
PLUS	263	ADD 263
<b>SPECIAL WIDTH (LESS THAN 48")</b>		<b>CUSTOM COLOR (SEE CUSTOM COLOR CHART)</b>
USE NEXT LARGEST SIZE ON PRICE LIST		ADD 822
PLUS	263	<b>REMOTE BLOWER OPTIONS</b>
<b>WARMING LAMPS AND SHELVES</b>		SEE PAGES 68-69 FOR REMOTE BLOWER OPTIONS
SEE PAGES 71 FOR WARMING LAMP AND SHELF OPTIONS		<b>TRIM OPTIONS</b>
		SEE PAGES 74-75 FOR FINISH AND TRIM OPTIONS

**RECOMMENDED MOUNTING HEIGHT FROM COOKING SURFACE: 24"-27" TRANSITION NOT INCLUDED**



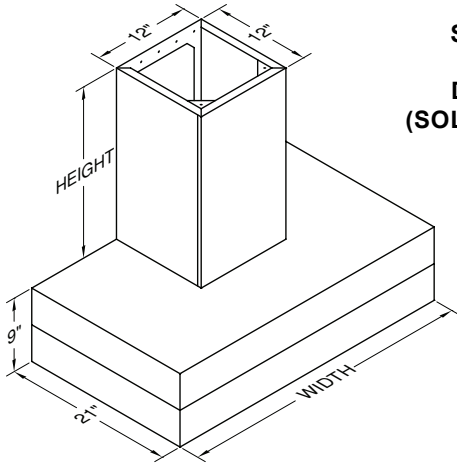
**JCWR9**

MODEL NO.	WIDTH	STAINLESS	#LTS
<b>WITH SINGLE BLOWER (300 CFM)</b>			
JCWR9-130	30	2024	2
JCWR9-136	36	2037	2
JCWR9-142	42	2273	3
JCWR9-148	48	2359	3
<b>WITH DUAL BLOWER (600 CFM)</b>			
JCWR9-230	30	2422	2
JCWR9-236	36	2438	2
JCWR9-242	42	2673	3
JCWR9-248	48	2758	3
<b>WITH DUAL &amp; SINGLE BLOWERS (900 CFM)</b>			
JCWR9-342	42	3274	3
JCWR9-348	48	3365	3
<b>WITH TWO DUAL BLOWERS (1200 CFM)</b>			
JCWR9-448	48	3583	3

USE VP562 (OPTIONAL) ON 900 CFM MODELS TO COMBINE OUTLETS INTO A SINGLE 10" DUCT.  
 USE VP563 (OPTIONAL) ON 1200 CFM MODELS TO COMBINE OUTLETS INTO A SINGLE 12" DUCT.

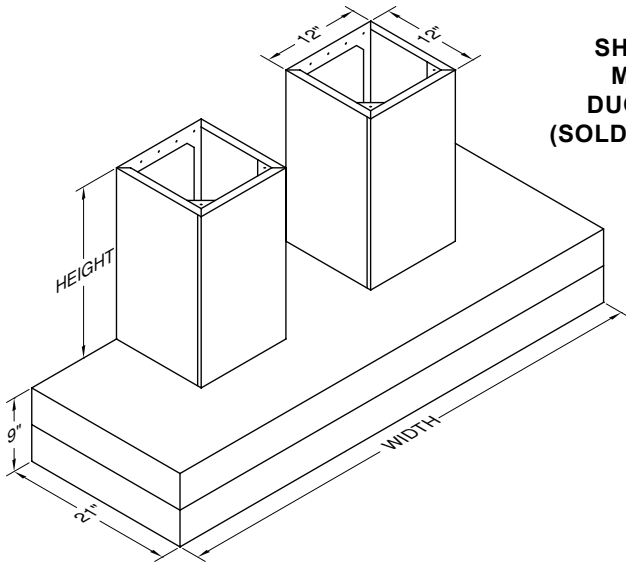
# CWEH9 CONTEMPORARY WALL MOUNT RANGE HOOD

## RECOMMENDED MOUNTING HEIGHT FROM COOKING SURFACE: 27"



SHOWN WITH MATCHING DUCT COVER (SOLD SEPARATELY)

MODEL NO.	WIDTH	PAINTED	STAINLESS	#LTS
<b>WITH SINGLE BLOWER (300 CFM)</b>				
CWEH9-130	30	1848	2570	2
CWEH9-136	36	1875	2610	2
CWEH9-142	42	2109	2831	3
CWEH9-148	48	2220	2944	3
<b>WITH DUAL BLOWER (600 CFM)</b>				
CWEH9-230	30	2254	3015	2
CWEH9-236	36	2283	3055	2
CWEH9-242	42	2516	3276	3
CWEH9-248	48	2616	3390	3
CWEH9-254	54	3115	4079	4



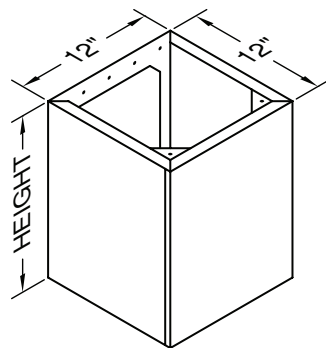
SHOWN WITH MATCHING DUCT COVERS (SOLD SEPARATELY)

MODEL NO.	WIDTH	PAINTED	STAINLESS	#LTS
<b>WITH DUAL &amp; SINGLE BLOWERS (900 CFM)</b>				
CWEH9-342	42	3068	3933	3
CWEH9-348	48	3431	4033	3
CWEH9-354	54	3682	4766	4
CWEH9-360	60	3842	5013	4
<b>WITH TWO DUAL BLOWERS (1200 CFM)</b>				
CWEH9-448	48	3838	4480	3
CWEH9-454	54	4089	5212	4
CWEH9-460	60	4248	5460	4
CWEH9-466	66	4451	5706	4

### SPACE BETWEEN DUCT COVERS

#### MODEL NO. WIDTH A

CWEH9-342	4"
CWEH9-348	8"
CWEH9-354	10"
CWEH9-360	12"
CWEH9-448	10"
CWEH9-454	10"
CWEH9-460	12"
CWEH9-466	14"



MODEL NO.	WIDTH	PAINTED	STAINLESS	CLG.
WDCRND-12/12	12	486	526	7'
WDCRND-12/24	12	555	647	8'
WDCRND-12/36	12	634	754	9'

WDCRND MODELS INCLUDE A REMOVABLE FRONT PANEL.

#### CUSTOM WALL MOUNT DUCT COVERS

	PAINTED	STAINLESS
WIDTH x HEIGHT x PLUS	0.54	0.88
	450	

ANY WDCRND-12 SS DUCT COVER MORE THAN 45" TALL WILL HAVE A VERTICAL GRAIN DIRECTION.

#### FINISHED TOP

	PAINTED	STAINLESS
WIDTH x DEPTH x PLUS	0.54	0.88
	263	

#### SLOPED TOP ON DUCT COVER

ADD	450
SPECIFY FRONT TO BACK OR LEFT TO RIGHT DIMENSIONS.	

### CWEH9 CONTEMPORARY WALL MOUNT HOOD VARIATIONS

#### WIDTHS OVER 66"

FOR EACH 6" SEGMENT PLUS

	PAINTED	STAINLESS
	184	292
	263	

#### SPECIAL WIDTH (LESS THAN 66")

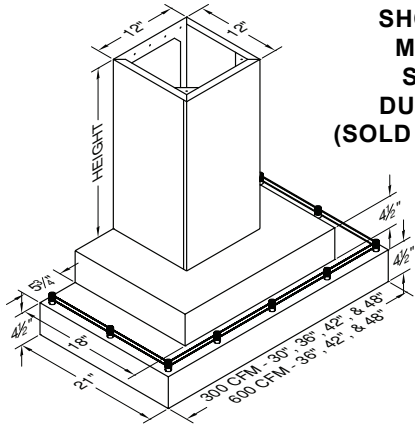
USE NEXT LARGEST SIZE ON PRICE LIST PLUS

263



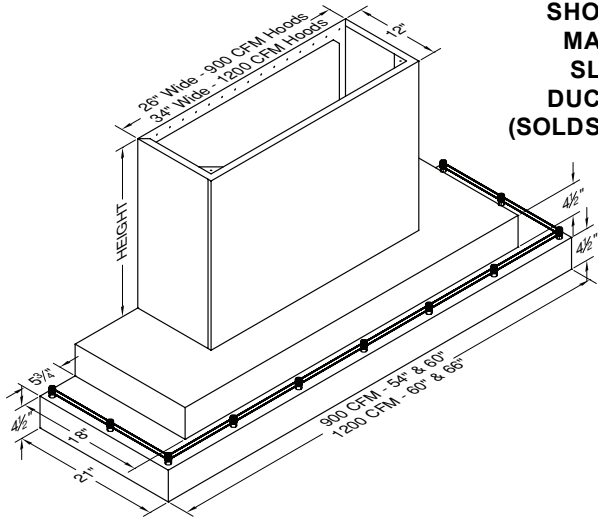
# CWLH9 CONTEMPORARY WALL MOUNT RANGE HOOD

**RECOMMENDED MOUNTING HEIGHT  
FROM COOKING SURFACE: 27"  
TRANSITION NOT INCLUDED**



**SHOWN WITH  
MATCHING  
SLIDE-ON  
DUCT COVER  
(SOLD SEPARATELY)**

MODEL NO.	WIDTH	PAINTED	STAINLESS	#LTS
<b>WITH SINGLE BLOWER (300 CFM)</b>				
CWLH9-130	30	1875	2603	2
CWLH9-136	36	1890	2617	2
CWLH9-142	42	2175	2916	3
CWLH9-148	48	2277	3034	3
<b>WITH DUAL BLOWER (600 CFM)</b>				
CWLH9-236	36	2313	3081	2
CWLH9-242	42	2598	3379	3
CWLH9-248	48	2699	3496	3



**SHOWN WITH  
MATCHING  
SLIDE-ON  
DUCT COVER  
(SOLD SEPARATELY)**

MODEL NO.	WIDTH	PAINTED	STAINLESS	#LTS
<b>WITH DUAL &amp; SINGLE BLOWERS (900 CFM)</b>				
CWLH9-354	54	3814	4933	4
CWLH9-360	60	3991	5185	4
<b>WITH TWO DUAL BLOWERS (1200 CFM)</b>				
CWLH9-460	60	4413	5647	4
CWLH9-466	66	4530	5810	4

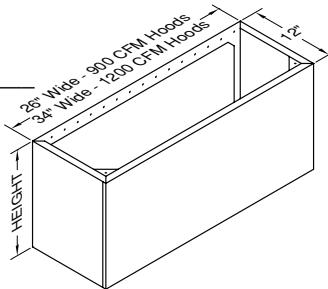
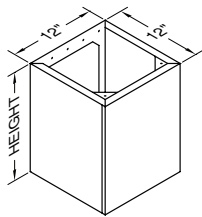
**USE VP562 TRANSITION (OPTIONAL) ON 900 CFM MODELS  
TO COMBINE OUTLETS INTO A SINGLE 10" DUCT.**

**USE VP563 TRANSITION (OPTIONAL) ON 1200 CFM MODELS  
TO COMBINE OUTLETS INTO A SINGLE 12" DUCT.**

<b>CUSTOM WALL MOUNT DUCT COVERS</b>		
	PAINTED	STAINLESS
WIDTH x HEIGHT x PLUS	0.54	0.88
	450	
<b>FINISHED TOP</b>		
WIDTH x DEPTH x PLUS	0.54	0.88
	263	
<b>SLOPED TOP ON DUCT COVER</b>		
ADD	450	

ANY WDCRND SS DUCT COVER FOR A CWLH9 MORE THAN 45" TALL WILL HAVE A VERTICAL GRAIN DIRECTION.

SPECIFY FRONT TO BACK OR LEFT TO RIGHT DIMENSIONS.



MODEL NO.	WIDTH	PAINTED	STAINLESS	CLG.
WDCRND-12/12	12	486	526	7'
WDCRND-12/24	12	555	647	8'
WDCRND-12/36	12	634	754	9'
MODEL NO.	WIDTH	PAINTED	STAINLESS	CLG.
WSDCRND-26/12	26	625	713	7'
WSDCRND-26/24	26	785	987	8'
WSDCRND-26/36	26	960	1249	9'
MODEL NO.	WIDTH	PAINTED	STAINLESS	CLG.
WDCRND-34/12	34	621	741	7'
WDCRND-34/24	34	836	1066	8'
WDCRND-34/36	34	1038	1402	9'

WDCRND MODELS INCLUDE A REMOVABLE FRONT PANEL.

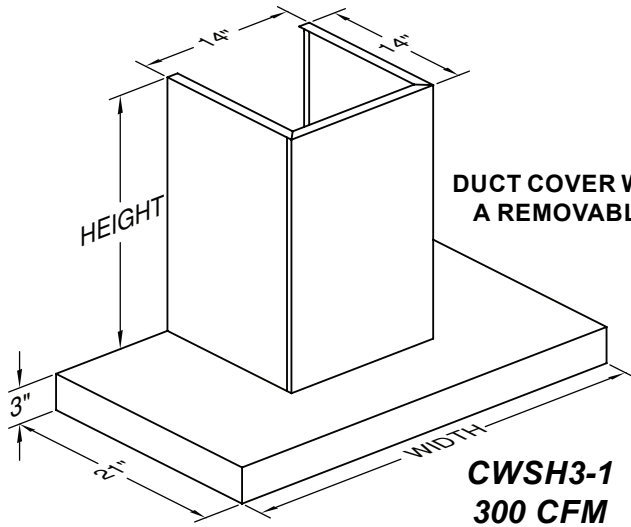
## CWLH9 CONTEMPORARY WALL MOUNT HOOD VARIATIONS

WIDTHS OVER 66"	PAINTED	STAINLESS	SPECIAL WIDTH (LESS THAN 66") USE NEXT LARGEST SIZE ON PRICE LIST PLUS
FOR EACH 6" SEGMENT PLUS	184	292	263
<b>REMOVE GALLEY RAIL TO REMOVE RAIL, NO CHARGE</b>			



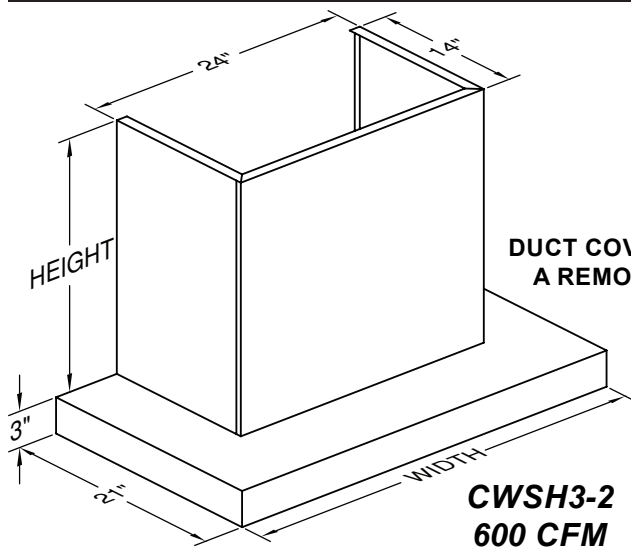
# CWSH3 CONTEMPORARY WALL MOUNT RANGE HOOD

**RECOMMENDED MOUNTING HEIGHT  
FROM COOKING SURFACE: 24"**



**DUCT COVER WITH BLOWER HAS  
A REMOVABLE FRONT PANEL**

MODEL NO.	WIDTH	STAINLESS	#LTS	CLG.
<b>WITH SINGLE BLOWER (300 CFM)</b>				
CWSH3-1/030-21	30	3222	2	7'
CWSH3-1/030-33	30	3354	2	8'
CWSH3-1/036-21	36	3222	2	7'
CWSH3-1/036-33	36	3354	2	8'
CWSH3-1/042-21	42	3474	3	7'
CWSH3-1/042-33	42	3606	3	8'



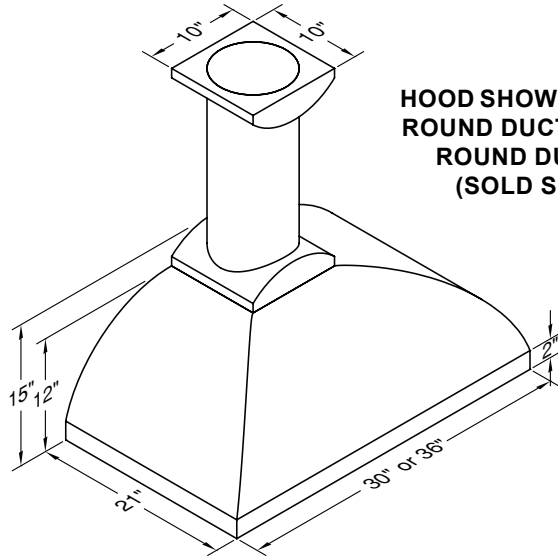
**DUCT COVER WITH BLOWER HAS  
A REMOVABLE FRONT PANEL**

MODEL NO.	WIDTH	STAINLESS	#LTS	CLG.
<b>WITH DUAL BLOWER (600 CFM)</b>				
CWSH3-2/030-21	30	4320	2	7'
CWSH3-2/030-33	30	4556	2	8'
CWSH3-2/036-21	36	4320	2	7'
CWSH3-2/036-33	36	4556	2	8'
CWSH3-2/042-21	42	4569	3	7'
CWSH3-2/042-33	42	4808	3	8'



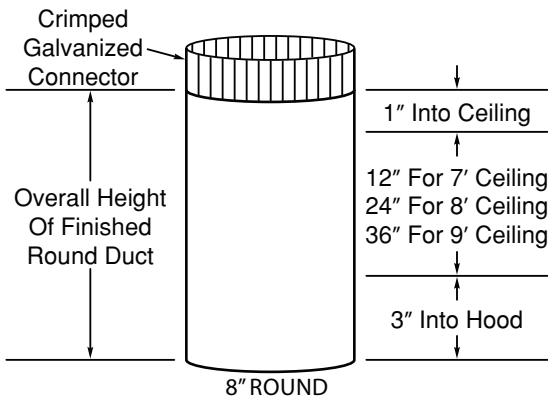
# XLH12 CONTEMPORARY WALL MOUNT RANGE HOOD

**RECOMMENDED MOUNTING HEIGHT FROM COOKING SURFACE: 24"**



**HOOD SHOWN WITH FINISHED ROUND DUCT AND TWO RXL8 ROUND DUCT COLLARS (SOLD SEPARATELY)**

MODEL NO.	WIDTH	STAINLESS	#LTS
<b>WITH DUAL BLOWER (600 CFM)</b>			
<b>BRASS LIP</b>			
XLH12-230B	30	2607	2
XLH12-236B	36	2638	2
<b>WITH DUAL BLOWER (600 CFM)</b>			
<b>COPPER LIP</b>			
XLH12-230C	30	2607	2
XLH12-236C	36	2638	2
<b>WITH DUAL BLOWER (600 CFM)</b>			
<b>MIRROR STAINLESS STEEL LIP</b>			
XLH12-230M	30	2607	2
XLH12-236M	36	2638	2
<b>WITH DUAL BLOWER (600 CFM)</b>			
<b>STAINLESS STEEL LIP</b>			
XLH12-230S	30	2607	2
XLH12-236S	36	2638	2

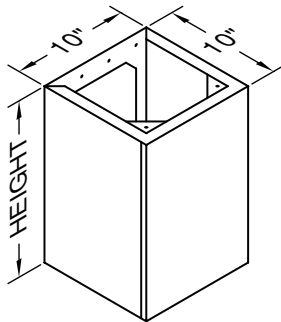


**FINISHED ROUND DUCT REQUIRES TWO DUCT COLLARS (SEE BELOW)**

MODEL NO.	WIDTH	STAINLESS	CLG.
WRDC-8/16	8	363	7'
WRDC-8/28	8	450	8'
WRDC-8/40	8	523	9'

**CUSTOM FINISHED ROUND DUCT**

**STAINLESS**  
 WIDTH x HEIGHT x PLUS 0.88  
 450  
 NOTE: FINISHED ROUND DUCT EXTENDS 3" INTO TOP OF HOOD AND 1" INTO CEILING.  
 NOTE: WHEN PRICING CUSTOM FINISHED ROUND DUCT, INCLUDE THE 3" THAT EXTENDS INTO TOP OF HOOD AND 1" THAT EXTENDS INTO CEILING (4" TOTAL). TOTAL OVERALL HEIGHT CANNOT EXCEED 60" (10' 8" CEILING). MODELS TALLER THAN 48" WILL HAVE A VERTICAL GRAIN DIRECTION.  
 NOTE: TOP END OF FINISHED ROUND DUCT IS CRIMPED TO ALLOW FOR DUCT CONNECTION IN THE CEILING (CRIMP IS NOT INCLUDED IN THE OVERALL HEIGHT OF THE FINISHED ROUND DUCT).

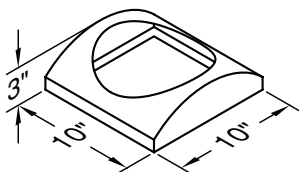


MODEL NO.	WIDTH	STAINLESS	CLG.
WDCRND-10/12	10	499	7'
WDCRND-10/24	10	594	8'
WDCRND-10/36	10	689	9'

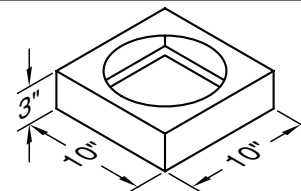
WDCRND MODELS INCLUDE A REMOVABLE FRONT PANEL.

**CUSTOM WALL MOUNT DUCT COVERS**

**STAINLESS**  
 WIDTH x HEIGHT x PLUS 0.88  
 450  
 ANY WDCRND-10 SS DUCT COVER MORE THAN 45" TALL WILL HAVE A VERTICAL GRAIN DIRECTION.



MODEL NO.	WIDTH	STAINLESS
RXL8	10"	261



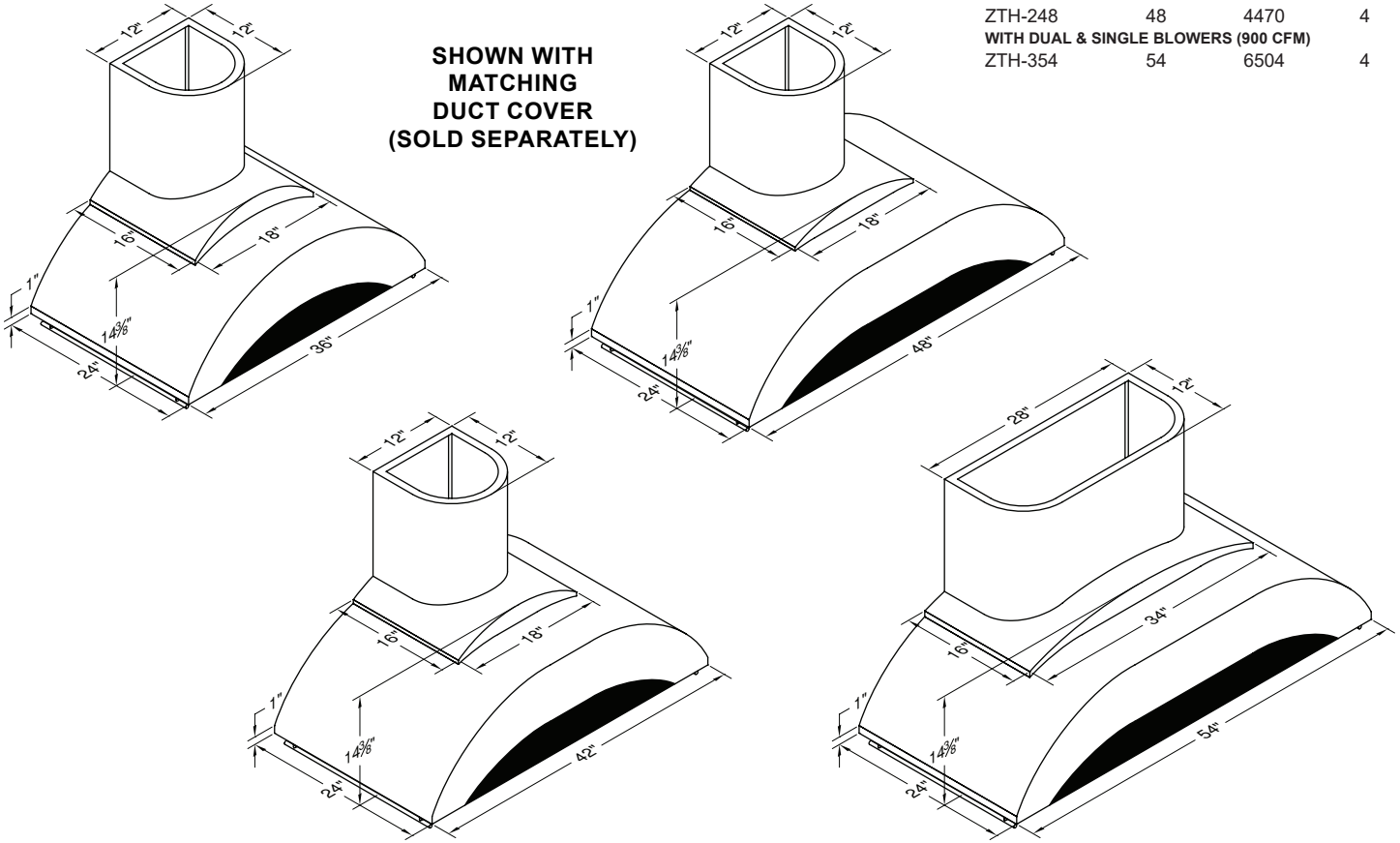
MODEL NO.	WIDTH	STAINLESS
SXL8	10"	161



# ZTH CONTEMPORARY WALL MOUNT RANGE HOOD

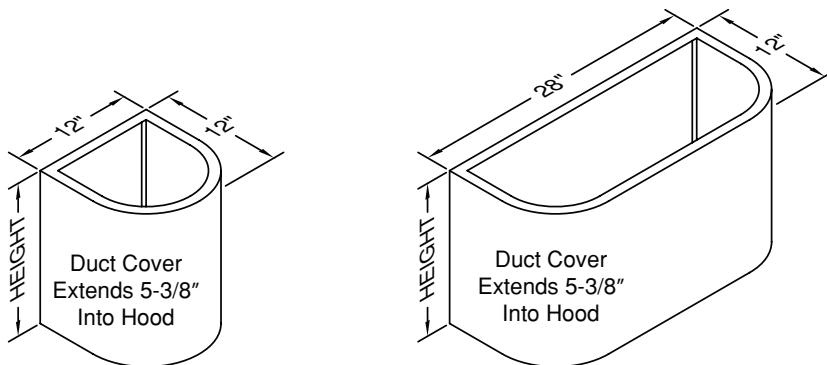
**RECOMMENDED MOUNTING HEIGHT FROM COOKING SURFACE: 30"**  
**TRANSITION NOT INCLUDED**

MODEL NO.	WIDTH	STAINLESS	#LTS
<b>WITH DUAL BLOWER (600 CFM)</b>			
ZTH-236	36	4163	4
ZTH-242	42	4353	4
ZTH-248	48	4470	4
<b>WITH DUAL &amp; SINGLE BLOWERS (900 CFM)</b>			
ZTH-354	54	6504	4



**USE VP562 TRANSITION (OPTIONAL) ON 900 CFM MODEL TO COMBINE OUTLETS INTO A SINGLE 10" DUCT.**

ZTH VARIATIONS	
REMOVE FIXED LENGTH SS RAIL	
ADD	263



MODEL NO.	WIDTH	STAINLESS	CLG.
WZDC-12/9	12	523	7'
WZDC-12/21	12	640	8'
WZDC-12/33	12	770	9'

MODEL NO.	WIDTH	STAINLESS	CLG.
WZDC-28/9	28	640	7'
WZDC-28/21	28	931	8'
WZDC-28/33	28	1206	9'

**CUSTOM WALL MOUNT DUCT COVERS**

STAINLESS	
WIDTH x HEIGHT x	0.88
PLUS	450

NOTE: DUCT COVER EXTENDS 5-3/8" INTO HOOD.

NOTE: WHEN PRICING CUSTOM DUCT COVERS, INCLUDE THE 5-3/8" OF DUCT COVER THAT EXTENDS INTO TOP OF HOOD.

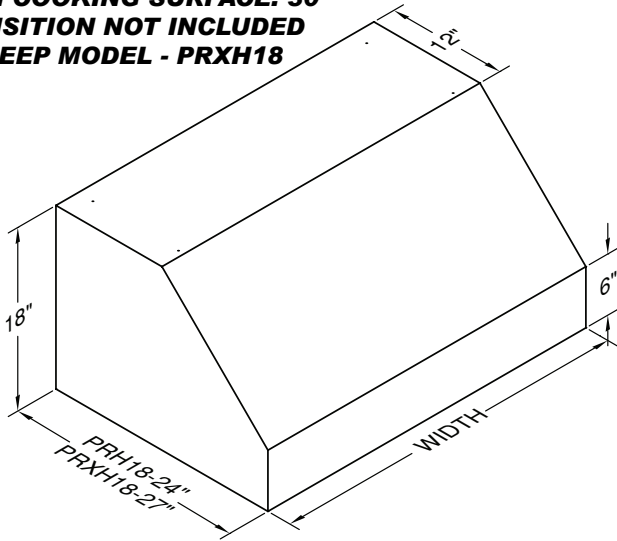
NOTE: MAXIMUM OVERALL AVAILABLE HEIGHT FOR 12" WIDE MODEL IS 60"; 54-5/8" IS THE FINISHED HEIGHT ABOVE THE TOP OF THE HOOD. WZDC DUCT COVERS WITH AN OVERALL HEIGHT MORE THAN 48" TALL WILL HAVE A VERTICAL GRAIN DIRECTION.

NOTE: WHEN PRICING CUSTOM DUCT COVERS, INCLUDE THE 5-3/8" OF DUCT COVER THAT EXTENDS INTO TOP OF HOOD.



# PRH18 WALL MOUNT RANGE HOOD

**RECOMMENDED MOUNTING HEIGHT FROM COOKING SURFACE: 30" TRANSITION NOT INCLUDED 27" DEEP MODEL - PRXH18**



MODEL NO.	WIDTH	PAINTED	STAINLESS	OVERLAY*	#LTS
<b>WITH SINGLE BLOWER (300 CFM)</b>					
PRH18-130	30	1424	1951	2941	2
PRH18-136	36	1451	1979	3066	2
PRH18-142	42	1658	2157	3386	3
PRH18-148	48	1743	2284	3555	3
<b>WITH DUAL BLOWER (600 CFM)</b>					
PRH18-230	30	1846	2414	3363	2
PRH18-236	36	1874	2440	3488	2
PRH18-242	42	2080	2619	3809	3
PRH18-248	48	2236	2746	3977	3
PRH18-254	54	2540	3317	4648	4
<b>WITH DUAL &amp; SINGLE BLOWERS (900 CFM)</b>					
PRH18-342	42	2528	3174	4257	3
PRH18-348	48	2612	3301	4426	3
PRH18-354	54	2989	3872	5097	4
PRH18-360	60	3227	4196	5503	4
<b>WITH TWO DUAL BLOWERS (1200 CFM)</b>					
PRH18-448	48	3035	3762	4848	3
PRH18-454	54	3410	4334	5517	4
PRH18-460	60	3650	4659	5926	4
PRH18-466	66	3803	4756	6248	4

\*FOR OVERLAY HOODS, SPECIFY INTERIOR COLOR  
FOR 27" DEEP MODEL, ORDER PRXH18 (NO ADDITIONAL COST)

USE VP562 TRANSITION (OPTIONAL) ON 900 CFM MODELS TO COMBINE OUTLETS INTO A SINGLE 10" DUCT.

USE VP563 TRANSITION (OPTIONAL) ON 1200 CFM MODELS TO COMBINE OUTLETS INTO A SINGLE 12" DUCT.

**CUSTOM WALL MOUNT DUCT COVERS**

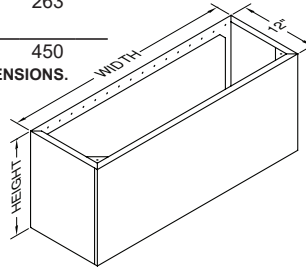
	PAINTED	STAINLESS	OVERLAY
WIDTH x HEIGHT x PLUS	0.54	0.88	1.37
ANY WDCRND SS DUCT COVER MORE THAN 43" TALL WILL HAVE A VERTICAL GRAIN DIRECTION. CUSTOM SIZES MAY BE LIMITED BY RAW MATERIAL SIZE. CONTACT FACTORY FOR FURTHER DETAILS.		450	

**FINISHED TOP**

	PAINTED	STAINLESS	OVERLAY
WIDTH x DEPTH x PLUS	0.54	0.88	1.37
		263	

**SLOPED TOP ON DUCT COVER**

ADD	450
SPECIFY FRONT TO BACK OR LEFT TO RIGHT DIMENSIONS.	



MODEL NO.	WIDTH	PAINTED	STAINLESS	OVERLAY	CLG.
WDCRND-30	30	594	701	864	8'
WDCRND-30/24	30	782	985	1321	9'
WDCRND-30/36	30	956	1281	1766	10'
WDCRND-36	36	634	754	956	8'
WDCRND-36/24	36	849	1106	1497	9'
WDCRND-36/36	36	1079	1456	2036	10'
WDCRND-42	42	675	822	1038	8'
WDCRND-42/24	42	931	1227	1672	9'
WDCRND-42/36	42	1187	1631	2306	10'
WDCRND-48	48	701	877	1132	8'
WDCRND-48/24	48	998	1335	1861	9'
WDCRND-48/36	48	1295	1794	2574	10'
WDCRND-54	54	741	931	1227	8'
WDCRND-60	60	782	985	1321	8'
WDCRND-66	66	822	1052	1402	8'

WDCRND MODELS INCLUDE A REMOVABLE FRONT PANEL.

**PRH18 WALL MOUNT HOOD VARIATIONS**

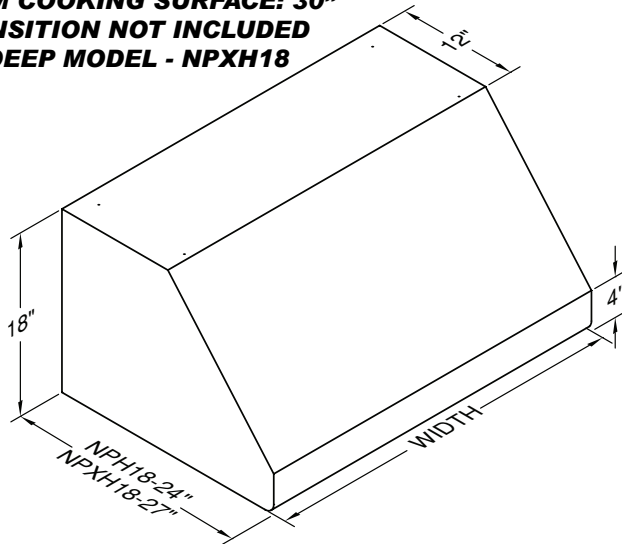
<b>WIDTHS OVER 66"</b>				<b>SLOPED END (REDUCES TOP WIDTH BY 6" EACH)</b>
FOR EACH 6" INCREMENT	PAINTED 204	STAINLESS 292	OVERLAY 363	PER END, ADD 450
<b>SPECIAL WIDTH (LESS THAN 66")</b>				<b>SPECIAL BLOWER LOCATION</b>
USE NEXT LARGEST SIZE ON PRICE LIST,				LEFT TO RIGHT, SPECIFY COLLAR CENTERLINE
PLUS		263		ADD 263
<b>SPECIAL HEIGHT (BETWEEN 9" &amp; 18")</b>				<b>SPECIAL DECK (9" MINIMUM, 18" STANDARD)</b>
USE STANDARD 18" PRICE,				ADD 263
PLUS		450		<b>STAINLESS STEEL INTERIOR ON OVERLAY HOOD</b>
<b>DEPTH LESS THAN 24"</b>				SUBTRACT PAINTED PRICE OF HOOD FROM STAINLESS PRICE OF HOOD
ADD		450		<b>ADDITIONAL BLOWERS &amp; LIGHTS</b>
<b>DEPTH OVER 24" (EXCLUDING 27")</b>				SEE PAGE 68 FOR BLOWER OPTIONS
WIDTH x EXTRA DEPTH x	PAINTED 1.30	STAINLESS 1.91	OVERLAY 2.60	<b>REMOTE BLOWER OPTIONS</b>
PLUS		450		SEE PAGES 68-69 FOR REMOTE BLOWER OPTIONS
<b>SLOPE, LIP, OFFSET, OR TOP VARIATION</b>				<b>CUSTOM COLOR (SEE CUSTOM COLOR CHART)</b>
PER VARIATION, ADD		450		ADD 822
<b>CLIPPED CORNER</b>				<b>TRIM OPTIONS</b>
PER CORNER, ADD		450		SEE PAGES 74-75 FOR FINISH AND TRIM OPTIONS
				<b>WARMING LAMPS AND SHELVES</b>
				SEE PAGES 71 FOR WARMING LAMP AND SHELF OPTIONS





# NPH18 WALL MOUNT RANGE HOOD

**RECOMMENDED MOUNTING HEIGHT FROM COOKING SURFACE: 30"**  
**TRANSITION NOT INCLUDED**  
**27" DEEP MODEL - NPXH18**



MODEL NO.	WIDTH	PAINTED	STAINLESS	OVERLAY*	#LTS
<b>WITH SINGLE BLOWER (300 CFM)</b>					
NPH18-130	30	1901	2484	3418	2
NPH18-136	36	1931	2512	3546	2
NPH18-142	42	2206	2704	3864	3
NPH18-148	48	2219	2817	4030	3
<b>WITH DUAL BLOWER (600 CFM)</b>					
NPH18-230	30	2324	2948	3840	2
NPH18-236	36	2350	2975	3967	2
NPH18-242	42	2558	3167	4285	3
NPH18-248	48	2642	3278	4454	3
NPH18-254	54	3017	3796	5124	4
<b>WITH DUAL &amp; SINGLE BLOWERS (900 CFM)</b>					
NPH18-342	42	3006	3722	4736	3
NPH18-348	48	3091	3833	4902	3
NPH18-354	54	3466	4351	5575	4
NPH18-360	60	3705	4672	5996	4
<b>WITH TWO DUAL BLOWERS (1200 CFM)</b>					
NPH18-448	48	3514	4297	5325	3
NPH18-454	54	3888	4812	5996	4
NPH18-460	60	4127	5135	6419	4
NPH18-466	66	4297	5331	6727	4

\*FOR OVERLAY HOODS, SPECIFY INTERIOR COLOR  
 FOR 27" DEEP MODEL, ORDER NPXH18 (NO ADDITIONAL COST)

**USE VP562 TRANSITION (OPTIONAL) ON 900 CFM MODELS TO COMBINE OUTLETS INTO A SINGLE 10" DUCT.**  
**USE VP563 TRANSITION (OPTIONAL) ON 1200 CFM MODELS TO COMBINE OUTLETS INTO A SINGLE 12" DUCT.**

### CUSTOM WALL MOUNT DUCT COVERS

	PAINTED	STAINLESS	OVERLAY
WIDTH x HEIGHT x PLUS	0.54	0.88	1.37
		450	

ANY WDCRND SS DUCT COVER MORE THAN 43" TALL WILL HAVE A VERTICAL GRAIN DIRECTION. CUSTOM SIZES MAY BE LIMITED BY RAW MATERIAL SIZE. CONTACT FACTORY FOR FURTHER DETAILS.

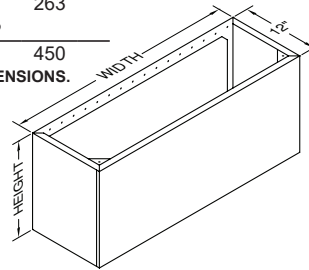
### FINISHED TOP

	PAINTED	STAINLESS	OVERLAY
WIDTH x DEPTH x PLUS	0.54	0.88	1.37
		263	

### SLOPED TOP ON DUCT COVER

ADD	450
-----	-----

SPECIFY FRONT TO BACK OR LEFT TO RIGHT DIMENSIONS.



MODEL NO.	WIDTH	PAINTED	STAINLESS	OVERLAY	CLG.
WDCRND-30	30	594	701	864	8'
WDCRND-30/24	30	782	985	1321	9'
WDCRND-30/36	30	956	1281	1766	10'
WDCRND-36	36	634	754	956	8'
WDCRND-36/24	36	849	1106	1497	9'
WDCRND-36/36	36	1079	1456	2036	10'
WDCRND-42	42	675	822	1038	8'
WDCRND-42/24	42	931	1227	1672	9'
WDCRND-42/36	42	1187	1631	2306	10'
WDCRND-48	48	701	877	1132	8'
WDCRND-48/24	48	998	1335	1861	9'
WDCRND-48/36	48	1295	1794	2574	10'
WDCRND-54	54	741	931	1227	8'
WDCRND-60	60	782	985	1321	8'
WDCRND-66	66	822	1052	1402	8'

WDCRND MODELS INCLUDE A REMOVABLE FRONT PANEL.

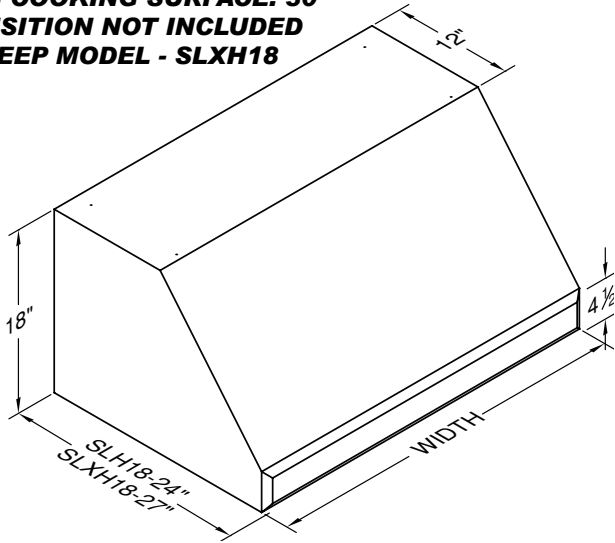
### NPH18 WALL MOUNT HOOD VARIATIONS

<b>WIDTHS OVER 66"</b>				<b>SLOPED END (REDUCES TOP WIDTH BY 6" EACH)</b>
	PAINTED	STAINLESS	OVERLAY	PER END, ADD 450
FOR EACH 6" INCREMENT	204	292	363	
PLUS		263		<b>SPECIAL BLOWER LOCATION</b>
<b>SPECIAL WIDTH (LESS THAN 66")</b>				LEFT TO RIGHT, SPECIFY COLLAR CENTERLINE
USE NEXT LARGEST SIZE ON PRICE LIST,				ADD 263
PLUS		263		<b>SPECIAL DECK (9" MINIMUM, 18" STANDARD)</b>
<b>SPECIAL HEIGHT (BETWEEN 9" &amp; 18")</b>				ADD 263
USE STANDARD 18" PRICE,				<b>STAINLESS STEEL INTERIOR ON OVERLAY HOOD</b>
PLUS		450		SUBTRACT PAINTED PRICE OF HOOD FROM STAINLESS PRICE OF HOOD
<b>DEPTH LESS THAN 24"</b>				<b>ADDITIONAL BLOWERS &amp; LIGHTS</b>
ADD		450		SEE PAGE 68 FOR BLOWER OPTIONS
<b>DEPTH OVER 24" (EXCLUDING 27")</b>				<b>REMOTE BLOWER OPTIONS</b>
	PAINTED	STAINLESS	OVERLAY	SEE PAGES 68-69 FOR REMOTE BLOWER OPTIONS
WIDTH x EXTRA DEPTH x	1.30	1.91	2.60	<b>CUSTOM COLOR (SEE CUSTOM COLOR CHART)</b>
PLUS		450		ADD 822
<b>SLOPE, LIP, OFFSET, OR TOP VARIATION</b>				<b>TRIM OPTIONS</b>
PER VARIATION, ADD		450		SEE PAGES 74-75 FOR FINISH AND TRIM OPTIONS
				<b>WARMING LAMPS AND SHELVES</b>
				SEE PAGES 71 FOR WARMING LAMP AND SHELF OPTIONS



# SLH18 WALL MOUNT RANGE HOOD

**RECOMMENDED MOUNTING HEIGHT FROM COOKING SURFACE: 30"**  
**TRANSITION NOT INCLUDED**  
**27" DEEP MODEL - SLXH18**



MODEL NO.	WIDTH	PAINTED	STAINLESS	OVERLAY*	#LTS
<b>WITH SINGLE BLOWER (300 CFM)</b>					
SLH18-130	30	1901	2484	3418	2
SLH18-136	36	1931	2512	3546	2
SLH18-142	42	2206	2704	3864	3
SLH18-148	48	2219	2817	4030	3
<b>WITH DUAL BLOWER (600 CFM)</b>					
SLH18-230	30	2324	2948	3840	2
SLH18-236	36	2350	2975	3967	2
SLH18-242	42	2558	3167	4285	3
SLH18-248	48	2642	3278	4454	3
SLH18-254	54	3017	3796	5124	4
<b>WITH DUAL &amp; SINGLE BLOWERS (900 CFM)</b>					
SLH18-342	42	3006	3722	4736	3
SLH18-348	48	3091	3833	4902	3
SLH18-354	54	3466	4351	5575	4
SLH18-360	60	3705	4672	5996	4
<b>WITH TWO DUAL BLOWERS (1200 CFM)</b>					
SLH18-448	48	3514	4297	5325	3
SLH18-454	54	3888	4812	5996	4
SLH18-460	60	4127	5135	6419	4
SLH18-466	66	4297	5331	6727	4

\*FOR OVERLAY HOODS, SPECIFY INTERIOR COLOR  
 FOR 27" DEEP MODEL, ORDER SLXH18 (NO ADDITIONAL COST)

USE VP562 TRANSITION (OPTIONAL) ON 900 CFM MODELS TO COMBINE OUTLETS INTO A SINGLE 10" DUCT.

USE VP563 TRANSITION (OPTIONAL) ON 1200 CFM MODELS TO COMBINE OUTLETS INTO A SINGLE 12" DUCT.

**CUSTOM WALL MOUNT DUCT COVERS**

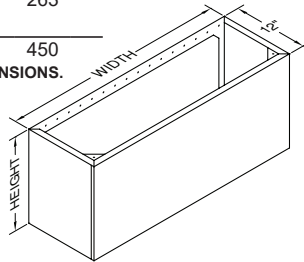
	PAINTED	STAINLESS	OVERLAY
WIDTH x HEIGHT x PLUS	0.54	0.88	1.37
ANY WDCRND SS DUCT COVER MORE THAN 43" TALL WILL HAVE A VERTICAL GRAIN DIRECTION. CUSTOM SIZES MAY BE LIMITED BY RAW MATERIAL SIZE. CONTACT FACTORY FOR FURTHER DETAILS.		450	

**FINISHED TOP**

	PAINTED	STAINLESS	OVERLAY
WIDTH x DEPTH x PLUS	0.54	0.88	1.37
		263	

**SLOPED TOP ON DUCT COVER**

ADD	450
SPECIFY FRONT TO BACK OR LEFT TO RIGHT DIMENSIONS.	



MODEL NO.	WIDTH	PAINTED	STAINLESS	OVERLAY	CLG.
WDCRND-30	30	594	701	864	8'
WDCRND-30/24	30	782	985	1321	9'
WDCRND-30/36	30	956	1281	1766	10'
WDCRND-36	36	634	754	956	8'
WDCRND-36/24	36	849	1106	1497	9'
WDCRND-36/36	36	1079	1456	2036	10'
WDCRND-42	42	675	822	1038	8'
WDCRND-42/24	42	931	1227	1672	9'
WDCRND-42/36	42	1187	1631	2306	10'
WDCRND-48	48	701	877	1132	8'
WDCRND-48/24	48	998	1335	1861	9'
WDCRND-48/36	48	1295	1794	2574	10'
WDCRND-54	54	741	931	1227	8'
WDCRND-60	60	782	985	1321	8'
WDCRND-66	66	822	1052	1402	8'

WDCRND MODELS INCLUDE A REMOVABLE FRONT PANEL.

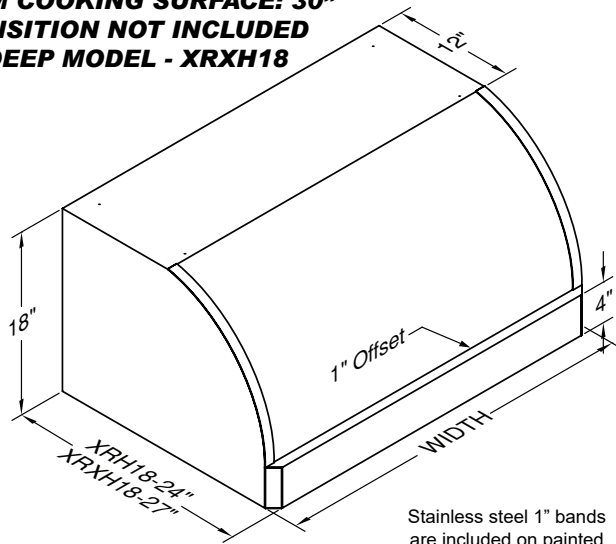
**SLH18 WALL MOUNT HOOD VARIATIONS**

<b>WIDTHS OVER 66"</b>				<b>SLOPED END (REDUCES TOP WIDTH BY 6" EACH, N/A ON OVERLAY)</b>
	PAINTED	STAINLESS	OVERLAY	PER END, ADD 450
FOR EACH 6" INCREMENT	204	292	363	
PLUS		263		<b>SPECIAL BLOWER LOCATION</b>
<b>SPECIAL WIDTH (LESS THAN 66")</b>				LEFT TO RIGHT, SPECIFY COLLAR CENTERLINE
USE NEXT LARGEST SIZE ON PRICE LIST,				ADD 263
PLUS		263		<b>SPECIAL DECK (9" MINIMUM, 18" STANDARD)</b>
<b>SPECIAL HEIGHT (BETWEEN 9" &amp; 18")</b>				ADD 263
USE STANDARD 18" PRICE,				<b>STAINLESS STEEL INTERIOR ON OVERLAY HOOD</b>
PLUS		450		SUBTRACT PAINTED PRICE OF HOOD FROM STAINLESS PRICE OF HOOD
<b>DEPTH LESS THAN 24"</b>				<b>ADDITIONAL BLOWERS &amp; LIGHTS</b>
ADD		450		SEE PAGE 68 FOR BLOWER OPTIONS
<b>DEPTH OVER 24" (EXCLUDING 27")</b>				<b>REMOTE BLOWER OPTIONS</b>
	PAINTED	STAINLESS	OVERLAY	SEE PAGES 68-69 FOR REMOTE BLOWER OPTIONS
WIDTH x EXTRA DEPTH x	1.30	1.91	2.60	<b>CUSTOM COLOR (SEE CUSTOM COLOR CHART)</b>
PLUS		450		ADD 822
<b>SLOPE, LIP, OFFSET, OR TOP VARIATION</b>				<b>TRIM OPTIONS</b>
PER VARIATION, ADD		450		SEE PAGES 74-75 FOR FINISH AND TRIM OPTIONS
				<b>WARMING LAMPS AND SHELVES</b>
				SEE PAGES 71 FOR WARMING LAMP AND SHELF OPTIONS



# XRH18 WALL MOUNT RANGE HOOD

**RECOMMENDED MOUNTING HEIGHT FROM COOKING SURFACE: 30" TRANSITION NOT INCLUDED 27" DEEP MODEL - XRXH18**



Stainless steel 1" bands are included on painted and stainless steel models.

MODEL NO.	WIDTH	PAINTED	STAINLESS	OVERLAY*	#LTS
<b>WITH SINGLE BLOWER (300 CFM)</b>					
XRH18-130	30	1901	2484	3418	2
XRH18-136	36	1931	2512	3546	2
XRH18-142	42	2206	2704	3864	3
XRH18-148	48	2219	2817	4030	3
<b>WITH DUAL BLOWER (600 CFM)</b>					
XRH18-230	30	2324	2948	3840	2
XRH18-236	36	2350	2975	3967	2
XRH18-242	42	2558	3167	4285	3
XRH18-248	48	2642	3278	4454	3
XRH18-254	54	3017	3796	5124	4
<b>WITH DUAL &amp; SINGLE BLOWERS (900 CFM)</b>					
XRH18-342	42	3006	3722	4736	3
XRH18-348	48	3091	3833	4902	3
XRH18-354	54	3466	4351	5575	4
XRH18-360	60	3705	4672	5996	4
<b>WITH TWO DUAL BLOWERS (1200 CFM)</b>					
XRH18-448	48	3514	4297	5325	3
XRH18-454	54	3888	4812	5996	4
XRH18-460	60	4127	5135	6419	4
XRH18-466	66	4297	5331	6727	4

\*FOR OVERLAY HOODS, SPECIFY INTERIOR COLOR  
 \*NO BANDS ON OVERLAY MODELS  
 FOR 27" DEEP MODEL, ORDER XRXH18 (NO ADDITIONAL COST)

USE VP562 TRANSITION (OPTIONAL) ON 900 CFM MODELS TO COMBINE OUTLETS INTO A SINGLE 10" DUCT.

USE VP563 TRANSITION (OPTIONAL) ON 1200 CFM MODELS TO COMBINE OUTLETS INTO A SINGLE 12" DUCT.

### CUSTOM WALL MOUNT DUCT COVERS

	PAINTED	STAINLESS	OVERLAY
WIDTH x HEIGHT x PLUS	0.54	0.88	1.37
		450	

ANY XDCRND SS DUCT COVER MORE THAN 43" TALL WILL HAVE A VERTICAL GRAIN DIRECTION. CUSTOM SIZES MAY BE LIMITED BY RAW MATERIAL SIZE. CONTACT FACTORY FOR FURTHER DETAILS.

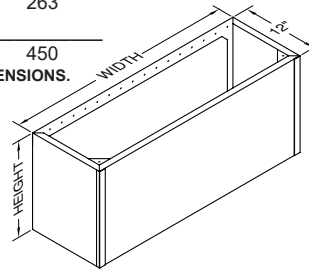
### FINISHED TOP

	PAINTED	STAINLESS	OVERLAY
WIDTH x DEPTH x PLUS	0.54	0.88	1.37
		263	

### SLOPED TOP ON DUCT COVER

ADD	450
-----	-----

SPECIFY FRONT TO BACK OR LEFT TO RIGHT DIMENSIONS.



MODEL NO.	WIDTH	PAINTED	STAINLESS	OVERLAY	CLG.
XDCRND-30	30	594	701	864	8'
XDCRND-30/24	30	782	985	1321	9'
XDCRND-30/36	30	956	1281	1766	10'
XDCRND-36	36	634	754	956	8'
XDCRND-36/24	36	849	1106	1497	9'
XDCRND-36/36	36	1079	1456	2036	10'
XDCRND-42	42	675	822	1038	8'
XDCRND-42/24	42	931	1227	1672	9'
XDCRND-42/36	42	1187	1631	2306	10'
XDCRND-48	48	701	877	1132	8'
XDCRND-48/24	48	998	1335	1861	9'
XDCRND-48/36	48	1295	1794	2574	10'
XDCRND-54	54	741	931	1227	8'
XDCRND-60	60	782	985	1321	8'
XDCRND-66	66	822	1052	1402	8'

XDCRND MODELS INCLUDE A REMOVABLE FRONT PANEL.

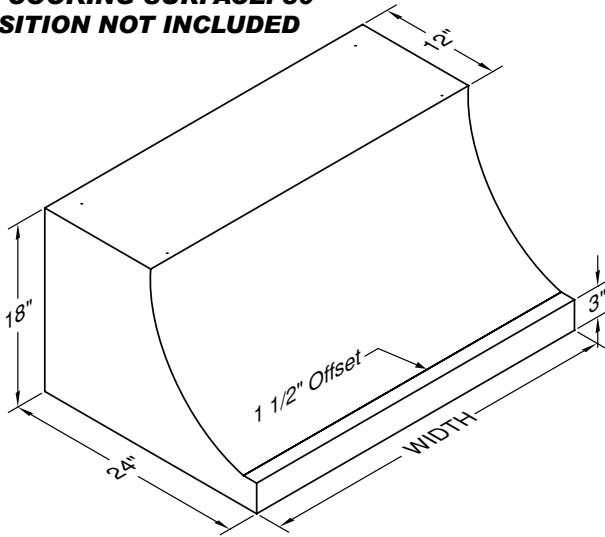
### XRH18 WALL MOUNT HOOD VARIATIONS

<b>WIDTHS OVER 66"</b>				<b>SPECIAL BLOWER LOCATION</b>
FOR EACH 6" INCREMENT	PAINTED 204	STAINLESS 292	OVERLAY 363	LEFT TO RIGHT, SPECIFY COLLAR CENTERLINE
PLUS		263		ADD 263
<b>SPECIAL WIDTH (LESS THAN 66")</b>				<b>SPECIAL DECK (9" MINIMUM, 18" STANDARD)</b>
USE NEXT LARGEST SIZE ON PRICE LIST,				ADD 263
PLUS		263		<b>STAINLESS STEEL INTERIOR ON OVERLAY HOOD</b>
<b>SPECIAL HEIGHT (BETWEEN 9" &amp; 18")</b>				SUBTRACT PAINTED PRICE OF HOOD FROM STAINLESS PRICE OF HOOD
USE STANDARD 18" PRICE,				<b>ADDITIONAL BLOWERS &amp; LIGHTS</b>
PLUS		450		SEE PAGE 68 FOR BLOWER OPTIONS
<b>DEPTH LESS THAN 24"</b>				<b>REMOTE BLOWER OPTIONS</b>
ADD		450		SEE PAGES 68-69 FOR REMOTE BLOWER OPTIONS
<b>DEPTH OVER 24" (EXCLUDING 27")</b>				<b>CUSTOM COLOR (SEE CUSTOM COLOR CHART)</b>
WIDTH x EXTRA DEPTH x PLUS	PAINTED 1.30	STAINLESS 1.91	OVERLAY 2.60	ADD 822
<b>SLOPE, LIP, OFFSET, OR TOP VARIATION</b>				<b>TRIM OPTIONS</b>
PER VARIATION, ADD		450		BANDS, NON-STANDARD COLOR 131
<b>CONVEX END (REDUCES TOP WIDTH BY 6" EACH)</b>				TO REMOVE BANDS 131
PER END, ADD		450		SEE PAGES 74-75 FOR ADDITIONAL FINISH AND TRIM OPTIONS
				<b>WARMING LAMPS AND SHELVES</b>
				SEE PAGES 71 FOR WARMING LAMP AND SHELF OPTIONS



# DAH18 WALL MOUNT RANGE HOOD

**RECOMMENDED MOUNTING HEIGHT FROM COOKING SURFACE: 30" TRANSITION NOT INCLUDED**



MODEL NO.	WIDTH	PAINTED	STAINLESS	OVERLAY*	#LTS
<b>WITH SINGLE BLOWER (300 CFM)</b>					
DAH18-130	30	2181	2797	3780	2
DAH18-136	36	2225	2841	3912	2
DAH18-142	42	2436	3025	4242	3
DAH18-148	48	2540	3158	4417	3
<b>WITH DUAL BLOWER (600 CFM)</b>					
DAH18-230	30	2602	3258	4202	2
DAH18-236	36	2646	3303	4334	2
DAH18-242	42	2859	3487	4665	3
DAH18-248	48	2962	3620	4840	3
DAH18-254	54	3336	4157	5537	4
<b>WITH DUAL &amp; SINGLE BLOWERS (900 CFM)</b>					
DAH18-342	42	3307	4042	5113	3
DAH18-348	48	3410	4175	5289	3
DAH18-354	54	3784	4712	5986	4
DAH18-360	60	4034	5051	6411	4
<b>WITH TWO DUAL BLOWERS (1200 CFM)</b>					
DAH18-448	48	3833	4637	5711	3
DAH18-454	54	4207	5175	6409	4
DAH18-460	60	4456	5513	6833	4
DAH18-466	66	4617	5721	7171	4

\*FOR OVERLAY HOODS, SPECIFY INTERIOR COLOR

USE VP562 TRANSITION (OPTIONAL) ON 900 CFM MODELS TO COMBINE OUTLETS INTO A SINGLE 10" DUCT.

USE VP563 TRANSITION (OPTIONAL) ON 1200 CFM MODELS TO COMBINE OUTLETS INTO A SINGLE 12" DUCT.

**CUSTOM WALL MOUNT DUCT COVERS**

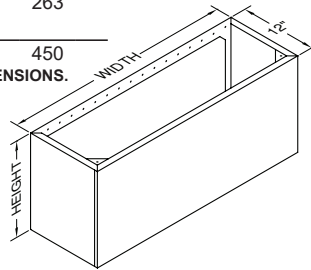
	PAINTED	STAINLESS	OVERLAY
WIDTH x HEIGHT x PLUS	0.54	0.88	1.37
ANY WDCRND SS DUCT COVER MORE THAN 43" TALL WILL HAVE A VERTICAL GRAIN DIRECTION. CUSTOM SIZES MAY BE LIMITED BY RAW MATERIAL SIZE. CONTACT FACTORY FOR FURTHER DETAILS.		450	

**FINISHED TOP**

	PAINTED	STAINLESS	OVERLAY
WIDTH x DEPTH x PLUS	0.54	0.88	1.37
		263	

**SLOPED TOP ON DUCT COVER**

ADD	450
SPECIFY FRONT TO BACK OR LEFT TO RIGHT DIMENSIONS.	



MODEL NO.	WIDTH	PAINTED	STAINLESS	OVERLAY	CLG.
WDCRND-30	30	594	701	864	8'
WDCRND-30/24	30	782	985	1321	9'
WDCRND-30/36	30	956	1281	1766	10'
WDCRND-36	36	634	754	956	8'
WDCRND-36/24	36	849	1106	1497	9'
WDCRND-36/36	36	1079	1456	2036	10'
WDCRND-42	42	675	822	1038	8'
WDCRND-42/24	42	931	1227	1672	9'
WDCRND-42/36	42	1187	1631	2306	10'
WDCRND-48	48	701	877	1132	8'
WDCRND-48/24	48	998	1335	1861	9'
WDCRND-48/36	48	1295	1794	2574	10'
WDCRND-54	54	741	931	1227	8'
WDCRND-60	60	782	985	1321	8'
WDCRND-66	66	822	1052	1402	8'

WDCRND MODELS INCLUDE A REMOVABLE FRONT PANEL.

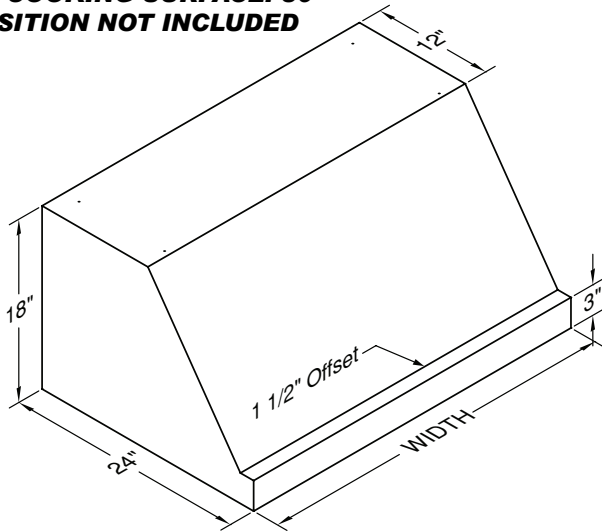
**DAH18 WALL MOUNT HOOD VARIATIONS**

<b>WIDTHS OVER 66"</b>				<b>CONCAVE END (REDUCES TOP WIDTH BY 6" EACH)</b>
	PAINTED	STAINLESS	OVERLAY	PER END, ADD 450
FOR EACH 6" INCREMENT	204	292	363	
PLUS		263		<b>SPECIAL BLOWER LOCATION</b>
<b>SPECIAL WIDTH (LESS THAN 66")</b>				LEFT TO RIGHT, SPECIFY COLLAR CENTERLINE
USE NEXT LARGEST SIZE ON PRICE LIST,				ADD 263
PLUS		263		<b>SPECIAL DECK (9" MINIMUM, 18" STANDARD)</b>
<b>SPECIAL HEIGHT (BETWEEN 9" &amp; 18")</b>				ADD 263
USE STANDARD 18" PRICE,				<b>STAINLESS STEEL INTERIOR ON OVERLAY HOOD</b>
PLUS		450		SUBTRACT PAINTED PRICE OF HOOD FROM STAINLESS PRICE OF HOOD
<b>DEPTH LESS THAN 24"</b>				<b>ADDITIONAL BLOWERS &amp; LIGHTS</b>
ADD		450		SEE PAGE 68 FOR BLOWER OPTIONS
<b>DEPTH OVER 24"</b>				<b>REMOTE BLOWER OPTIONS</b>
	PAINTED	STAINLESS	OVERLAY	SEE PAGES 68-69 FOR REMOTE BLOWER OPTIONS
WIDTH x EXTRA DEPTH x	1.30	1.91	2.60	<b>CUSTOM COLOR (SEE CUSTOM COLOR CHART)</b>
PLUS		450		ADD 822
<b>SLOPE, LIP, OFFSET, OR TOP VARIATION</b>				<b>TRIM OPTIONS</b>
PER VARIATION, ADD		450		SEE PAGES 74-75 FOR FINISH AND TRIM OPTIONS
<b>CLIPPED CORNER</b>				<b>WARMING LAMPS AND SHELVES</b>
PER CORNER, ADD		450		SEE PAGES 71 FOR WARMING LAMP AND SHELF OPTIONS



# PWVH18 WALL MOUNT RANGE HOOD

**RECOMMENDED MOUNTING HEIGHT FROM COOKING SURFACE: 30" TRANSITION NOT INCLUDED**



MODEL NO.	WIDTH	PAINTED	STAINLESS	OVERLAY*	#LTS
<b>WITH SINGLE BLOWER (300 CFM)</b>					
PWVH18-130	30	2181	2797	3780	2
PWVH18-136	36	2225	2841	3912	2
PWVH18-142	42	2436	3025	4242	3
PWVH18-148	48	2540	3158	4417	3
<b>WITH DUAL BLOWER (600 CFM)</b>					
PWVH18-230	30	2602	3258	4202	2
PWVH18-236	36	2646	3303	4334	2
PWVH18-242	42	2859	3487	4665	3
PWVH18-248	48	2962	3620	4840	3
PWVH18-254	54	3336	4157	5537	4
<b>WITH DUAL &amp; SINGLE BLOWERS (900 CFM)</b>					
PWVH18-342	42	3307	4042	5113	3
PWVH18-348	48	3410	4175	5289	3
PWVH18-354	54	3784	4712	5986	4
PWVH18-360	60	4034	5051	6411	4
<b>WITH TWO DUAL BLOWERS (1200 CFM)</b>					
PWVH18-448	48	3833	4637	5711	3
PWVH18-454	54	4207	5175	6409	4
PWVH18-460	60	4456	5513	6833	4
PWVH18-466	66	4617	5721	7171	4

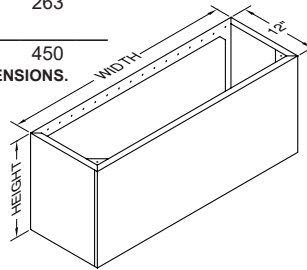
\*FOR OVERLAY HOODS, SPECIFY INTERIOR COLOR

**USE VP562 TRANSITION (OPTIONAL) ON 900 CFM MODELS TO COMBINE OUTLETS INTO A SINGLE 10" DUCT.  
USE VP563 TRANSITION (OPTIONAL) ON 1200 CFM MODELS TO COMBINE OUTLETS INTO A SINGLE 12" DUCT.**

CUSTOM WALL MOUNT DUCT COVERS			
	PAINTED	STAINLESS	OVERLAY
WIDTH x HEIGHT x PLUS	0.54	0.88	1.37
ANY WDCRND SS DUCT COVER MORE THAN 43" TALL WILL HAVE A VERTICAL GRAIN DIRECTION. CUSTOM SIZES MAY BE LIMITED BY RAW MATERIAL SIZE. CONTACT FACTORY FOR FURTHER DETAILS.		450	

FINISHED TOP			
	PAINTED	STAINLESS	OVERLAY
WIDTH x DEPTH x PLUS	0.54	0.88	1.37
		263	

SLOPED TOP ON DUCT COVER			
ADD		450	
SPECIFY FRONT TO BACK OR LEFT TO RIGHT DIMENSIONS.			



MODEL NO.	WIDTH	PAINTED	STAINLESS	OVERLAY	CLG.
WDCRND-30	30	594	701	864	8'
WDCRND-30/24	30	782	985	1321	9'
WDCRND-30/36	30	956	1281	1766	10'
WDCRND-36	36	634	754	956	8'
WDCRND-36/24	36	849	1106	1497	9'
WDCRND-36/36	36	1079	1456	2036	10'
WDCRND-42	42	675	822	1038	8'
WDCRND-42/24	42	931	1227	1672	9'
WDCRND-42/36	42	1187	1631	2306	10'
WDCRND-48	48	701	877	1132	8'
WDCRND-48/24	48	998	1335	1861	9'
WDCRND-48/36	48	1295	1794	2574	10'
WDCRND-54	54	741	931	1227	8'
WDCRND-60	60	782	985	1321	8'
WDCRND-66	66	822	1052	1402	8'

WDCRND MODELS INCLUDE A REMOVABLE FRONT PANEL.

PWVH18 WALL MOUNT HOOD VARIATIONS					
<b>WIDTHS OVER 66"</b>	PAINTED	STAINLESS	OVERLAY	<b>SLOPED END (REDUCES TOP WIDTH BY 6" EACH)</b> PER END, ADD 450	
	FOR EACH 6" INCREMENT	204	292		363
	PLUS		263		
<b>SPECIAL WIDTH (LESS THAN 66")</b> USE NEXT LARGEST SIZE ON PRICE LIST, PLUS		263		<b>SPECIAL BLOWER LOCATION</b> LEFT TO RIGHT, SPECIFY COLLAR CENTERLINE ADD 263	
	<b>SPECIAL HEIGHT (BETWEEN 9" &amp; 18")</b> USE STANDARD 18" PRICE, PLUS		450	<b>SPECIAL DECK (9" MINIMUM, 18" STANDARD)</b> ADD 263	
<b>DEPTH LESS THAN 24"</b> ADD		450		<b>STAINLESS STEEL INTERIOR ON OVERLAY HOOD</b> SUBTRACT PAINTED PRICE OF HOOD FROM STAINLESS PRICE OF HOOD	
<b>DEPTH OVER 24"</b>	PAINTED	STAINLESS	OVERLAY	<b>ADDITIONAL BLOWERS &amp; LIGHTS</b> SEE PAGE 68 FOR BLOWER OPTIONS	
WIDTH x EXTRA DEPTH x PLUS	1.30	1.91	2.60	<b>REMOTE BLOWER OPTIONS</b> SEE PAGES 68-69 FOR REMOTE BLOWER OPTIONS	
<b>SLOPE, LIP, OFFSET, OR TOP VARIATION</b> PER VARIATION, ADD		450		<b>CUSTOM COLOR (SEE CUSTOM COLOR CHART)</b> ADD 822	
<b>CLIPPED CORNER</b> PER CORNER, ADD		450		<b>TRIM OPTIONS</b> SEE PAGES 74-75 FOR FINISH AND TRIM OPTIONS	
				<b>WARMING LAMPS AND SHELVES</b> SEE PAGES 71 FOR WARMING LAMP AND SHELF OPTIONS	



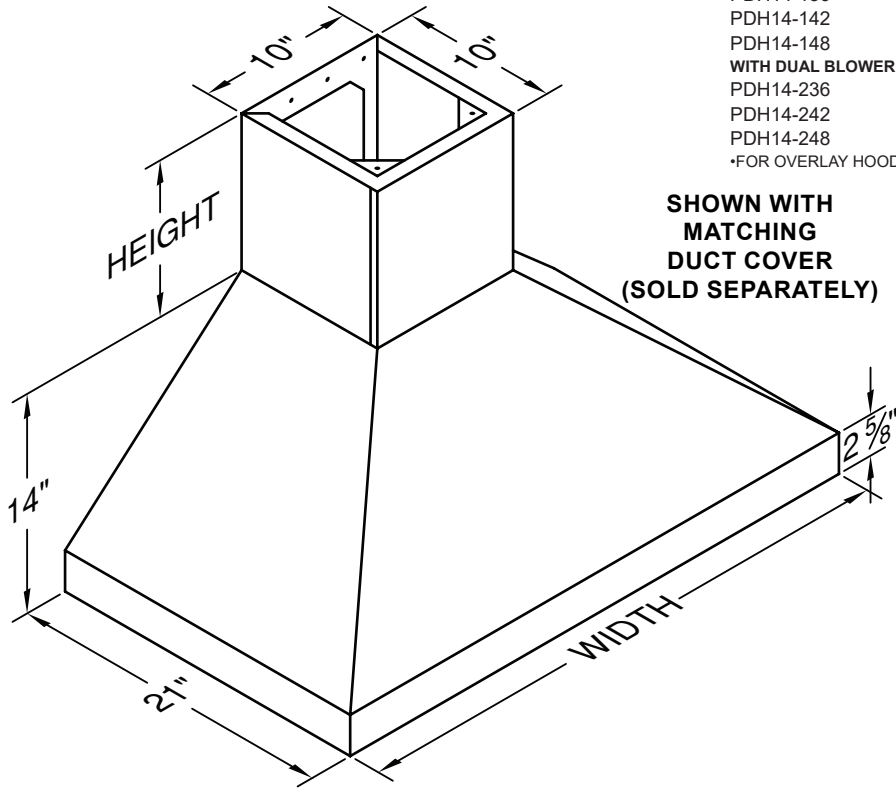


# PDH14 EURO-STYLE WALL MOUNT RANGE HOOD

**RECOMMENDED MOUNTING HEIGHT  
FROM COOKING SURFACE: 24"**

MODEL NO.	WIDTH	PAINTED	STAINLESS	OVERLAY*	#LTS
<b>WITH SINGLE BLOWER (300 CFM)</b>					
PDH14-130	30	1743	2412	3570	2
PDH14-136	36	1782	2453	3722	2
PDH14-142	42	1982	2653	4086	3
PDH14-148	48	2064	2749	4292	3
<b>WITH DUAL BLOWER (600 CFM)</b>					
PDH14-236	36	2188	2897	4127	2
PDH14-242	42	2388	3096	4491	3
PDH14-248	48	2469	3193	4697	3

\*FOR OVERLAY HOODS, SPECIFY INTERIOR COLOR



MODEL NO.	WIDTH	PAINTED	STAINLESS	OVERLAY	CLG.
WDCRND-10/10	10	459	499	539	7'
WDCRND-10/22	10	526	594	689	8'
WDCRND-10/34	10	594	689	836	9'

WDCRND MODELS INCLUDE A REMOVABLE FRONT PANEL.

**CUSTOM WALL MOUNT DUCT COVERS**

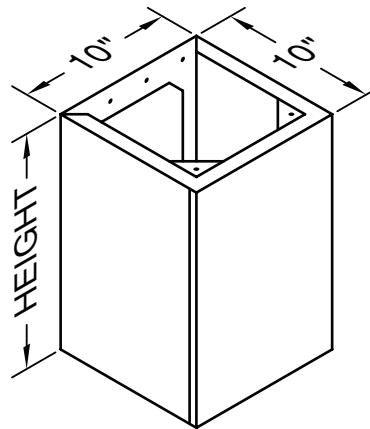
	PAINTED	STAINLESS	OVERLAY
WIDTH x HEIGHT x PLUS	0.54	0.88	1.37
ANY WDCRND-10 SS DUCT COVER MORE THAN 45" TALL WILL HAVE A VERTICAL GRAIN DIRECTION.		450	

**FINISHED TOP**

	PAINTED	STAINLESS	OVERLAY
WIDTH x DEPTH x PLUS	0.54	0.88	1.37
		263	

**SLOPED TOP ON DUCT COVER**

ADD 450  
SPECIFY FRONT TO BACK OR LEFT TO RIGHT DIMENSIONS.



**PDH14 EURO-STYLE WALL MOUNT HOOD VARIATIONS**

<b>SPECIAL WIDTH (LESS THAN 48")</b> USE NEXT LARGEST SIZE ON PRICE LIST, PLUS 263			
<b>DEPTH OVER 21"</b>			
WIDTH x EXTRA DEPTH x PLUS	PAINTED 1.30	STAINLESS 1.91	OVERLAY 2.60
		450	

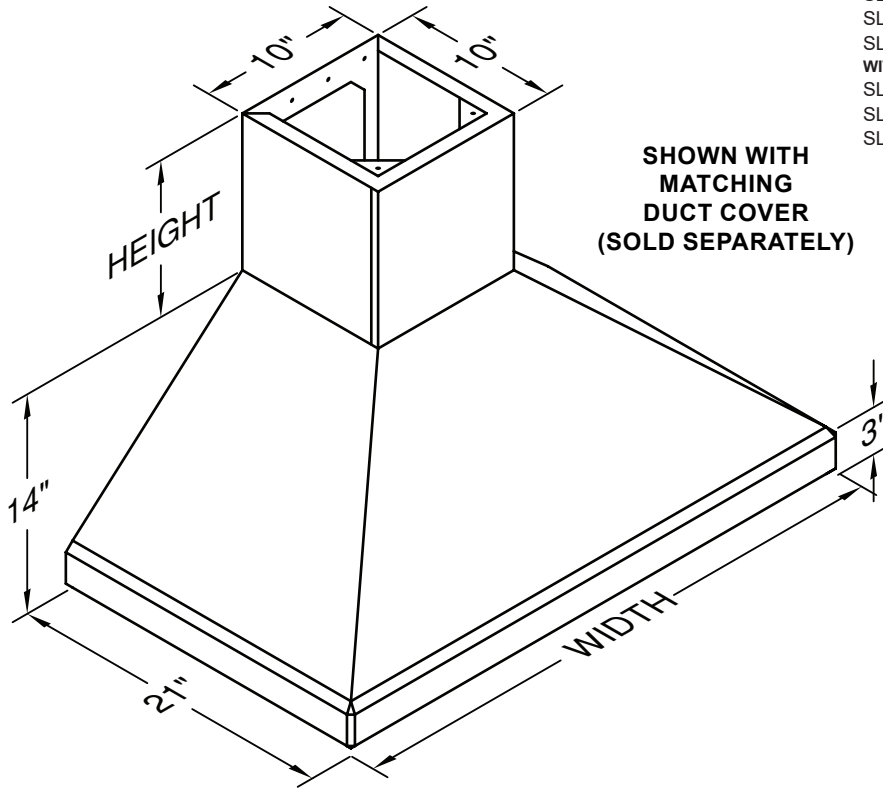
<b>STAINLESS STEEL INTERIOR ON OVERLAY HOOD</b> SUBTRACT PAINTED PRICE OF HOOD FROM STAINLESS PRICE OF HOOD
<b>CUSTOM COLOR (SEE CUSTOM COLOR CHART)</b> ADD 822
<b>TRIM OPTIONS</b> SEE PAGES 74-75 FOR FINISH AND TRIM OPTIONS



# SLDH14 EURO-STYLE WALL MOUNT RANGE HOOD

**RECOMMENDED MOUNTING HEIGHT FROM COOKING SURFACE: 24"**

MODEL NO.	WIDTH	PAINTED	STAINLESS	#LTS
<b>WITH SINGLE BLOWER (300 CFM)</b>				
SLDH14-130	30	2194	2882	2
SLDH14-136	36	2237	2924	2
SLDH14-142	42	2510	3226	3
SLDH14-148	48	2609	3340	3
<b>WITH DUAL BLOWER (600 CFM)</b>				
SLDH14-236	36	2643	3369	2
SLDH14-242	42	2915	3672	3
SLDH14-248	48	3013	3784	3



MODEL NO.	WIDTH	PAINTED	STAINLESS	CLG.
WDCRND-10/10	10	459	499	7'
WDCRND-10/22	10	526	594	8'
WDCRND-10/34	10	594	689	9'

WDCRND MODELS INCLUDE A REMOVABLE FRONT PANEL.

**CUSTOM WALL MOUNT DUCT COVERS**

	PAINTED	STAINLESS
WIDTH x HEIGHT x PLUS	0.54	0.88
PLUS	450	

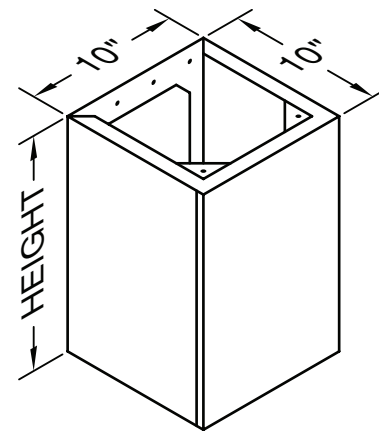
ANY WDCRND-10 SS DUCT COVER MORE THAN 45" TALL WILL HAVE A VERTICAL GRAIN DIRECTION.

**FINISHED TOP**

	PAINTED	STAINLESS
WIDTH x DEPTH x PLUS	0.54	0.88
PLUS	263	

**SLOPED TOP ON DUCT COVER**

ADD 450  
SPECIFY FRONT TO BACK OR LEFT TO RIGHT DIMENSIONS.



SLDH14 EURO-STYLE WALL MOUNT HOOD VARIATIONS			
SPECIAL WIDTH (LESS THAN 48") USE NEXT LARGEST SIZE ON PRICE LIST, PLUS 263	DEPTH OVER 21"		
	WIDTH x EXTRA DEPTH x PLUS	PAINTED 1.30	STAINLESS 1.91
CUSTOM COLOR (SEE CUSTOM COLOR CHART) ADD 822	TRIM OPTIONS SEE PAGES 74-75 FOR FINISH AND TRIM OPTIONS		

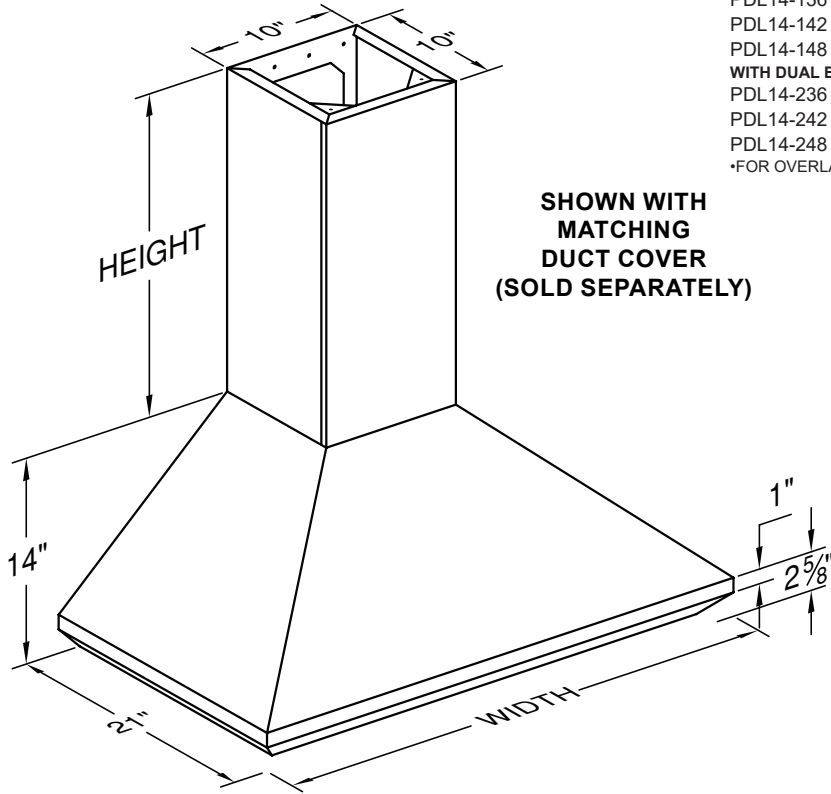


# PDL14 EURO-STYLE WALL MOUNT RANGE HOOD

**RECOMMENDED MOUNTING HEIGHT FROM COOKING SURFACE: 24"**

MODEL NO.	WIDTH	PAINTED	STAINLESS	OVERLAY*	#LTS
<b>WITH SINGLE BLOWER (300 CFM)</b>					
PDL14-130	30	1743	2412	3570	2
PDL14-136	36	1782	2453	3722	2
PDL14-142	42	1982	2653	4086	3
PDL14-148	48	2064	2749	4292	3
<b>WITH DUAL BLOWER (600 CFM)</b>					
PDL14-236	36	2188	2897	4127	2
PDL14-242	42	2388	3096	4491	3
PDL14-248	48	2469	3193	4697	3

\*FOR OVERLAY HOODS, SPECIFY INTERIOR COLOR



**SHOWN WITH MATCHING DUCT COVER (SOLD SEPARATELY)**

MODEL NO.	WIDTH	PAINTED	STAINLESS	OVERLAY	CLG.
WDCRND-10/10	10	459	499	539	7'
WDCRND-10/22	10	526	594	689	8'
WDCRND-10/34	10	594	689	836	9'

WDCRND MODELS INCLUDE A REMOVABLE FRONT PANEL.

**CUSTOM WALL MOUNT DUCT COVERS**

	PAINTED	STAINLESS	OVERLAY
WIDTH x HEIGHT x PLUS	0.54	0.88	1.37
PLUS		450	

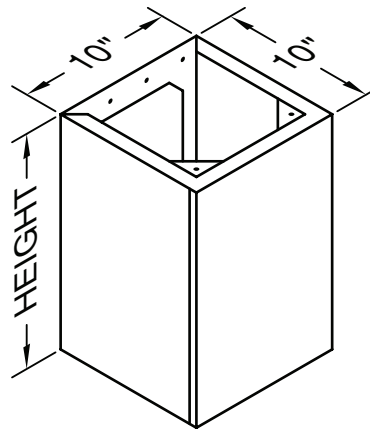
ANY WDCRND-10 SS DUCT COVER MORE THAN 45" TALL WILL HAVE A VERTICAL GRAIN DIRECTION.

**FINISHED TOP**

	PAINTED	STAINLESS	OVERLAY
WIDTH x DEPTH x PLUS	0.54	0.88	1.37
PLUS		263	

**SLOPED TOP ON DUCT COVER**

ADD 450  
SPECIFY FRONT TO BACK OR LEFT TO RIGHT DIMENSIONS.



**PDL14 EURO-STYLE WALL MOUNT HOOD VARIATIONS**

<b>SPECIAL WIDTH (LESS THAN 48")</b> USE NEXT LARGEST SIZE ON PRICE LIST, PLUS			263
<b>DEPTH OVER 21"</b>			
WIDTH x EXTRA DEPTH x PLUS	PAINTED 1.30	STAINLESS 1.91	OVERLAY 2.60
PLUS		450	

<b>STAINLESS STEEL INTERIOR ON OVERLAY HOOD</b> SUBTRACT PAINTED PRICE OF HOOD FROM STAINLESS PRICE OF HOOD
<b>CUSTOM COLOR (SEE CUSTOM COLOR CHART)</b> ADD 822
<b>TRIM OPTIONS</b> SEE PAGES 74-75 FOR FINISH AND TRIM OPTIONS

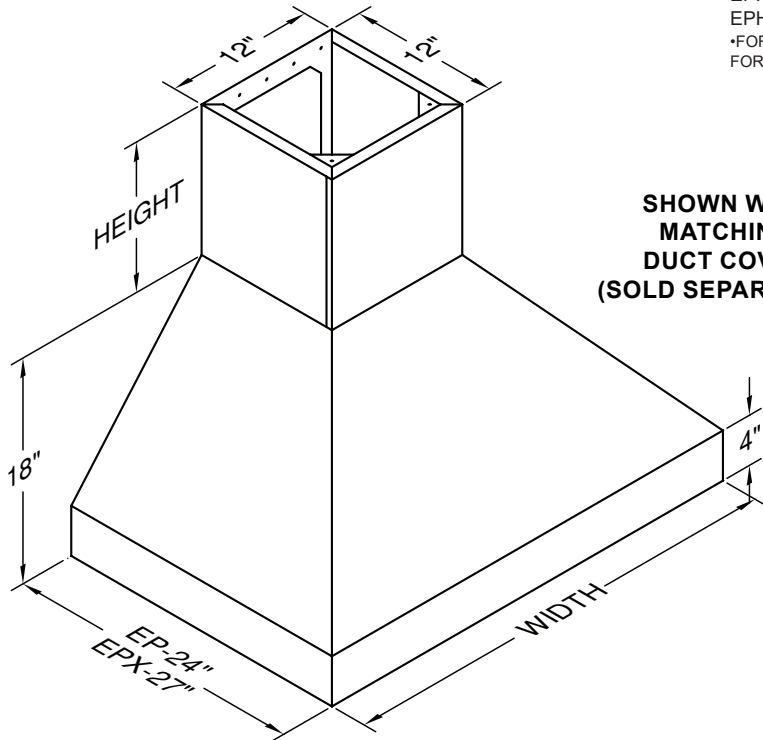


# EPH18 EURO-STYLE WALL MOUNT RANGE HOOD

**RECOMMENDED MOUNTING HEIGHT  
FROM COOKING SURFACE: 30"  
27" DEEP MODEL - EPXH18**

MODEL NO.	WIDTH	PAINTED	STAINLESS	OVERLAY*	#LTS
WITH DUAL BLOWER (600 CFM)					
EPH18-236	36	2685	3395	4723	2
EPH18-242	42	2871	3591	5045	3
EPH18-248	48	3055	3800	5446	3

\*FOR OVERLAY HOODS, SPECIFY INTERIOR COLOR  
FOR 27" DEEP MODEL, ORDER EPXH18 (NO ADDITIONAL COST)



**SHOWN WITH  
MATCHING  
DUCT COVER  
(SOLD SEPARATELY)**

MODEL NO.	WIDTH	PAINTED	STAINLESS	OVERLAY	CLG.
WDCRND-12/12	12	486	526	594	8'
WDCRND-12/24	12	555	647	770	9'
WDCRND-12/36	12	634	754	956	10'

WDCRND MODELS INCLUDE A REMOVABLE FRONT PANEL.

**CUSTOM WALL MOUNT DUCT COVERS**

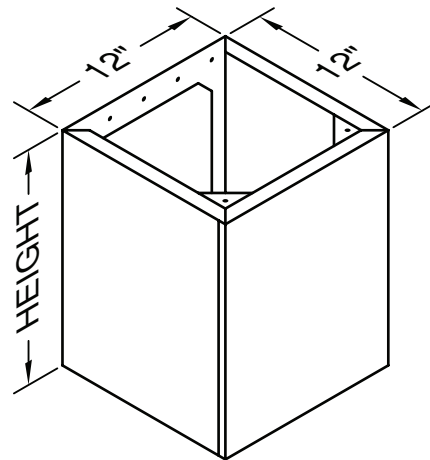
	PAINTED	STAINLESS	OVERLAY
WIDTH x HEIGHT x PLUS	0.54	0.88	1.37
ANY WDCRND-12 SS DUCT COVER MORE THAN 45" TALL WILL HAVE A VERTICAL GRAIN DIRECTION.		450	

**FINISHED TOP**

	PAINTED	STAINLESS	OVERLAY
WIDTH x DEPTH x PLUS	0.54	0.88	1.37
		263	

**SLOPED TOP ON DUCT COVER**

ADD 450  
SPECIFY FRONT TO BACK OR LEFT TO RIGHT DIMENSIONS.



**EPH18 EURO-STYLE WALL MOUNT HOOD VARIATIONS**

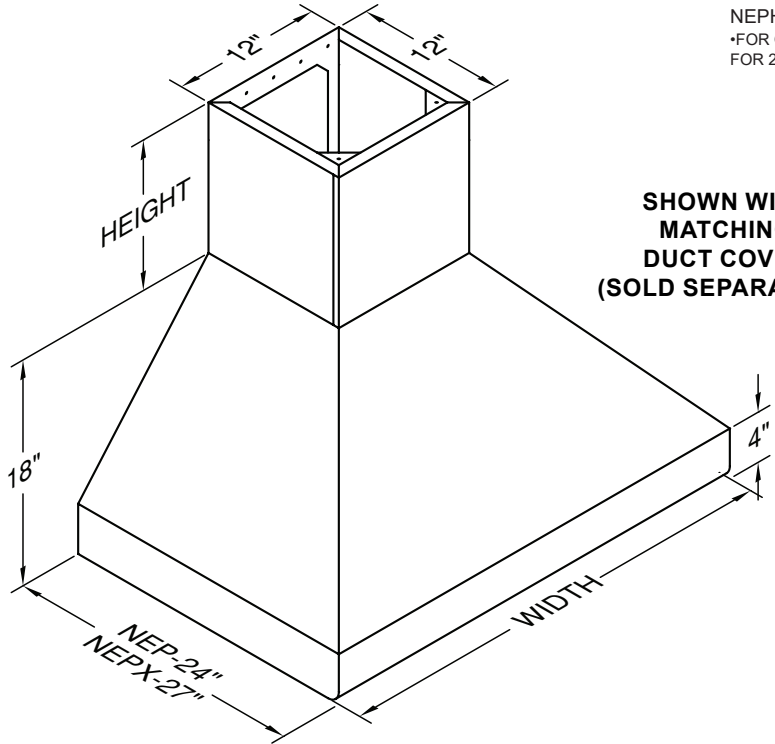
WIDTHS OVER 48"	PAINTED	STAINLESS	OVERLAY	DEPTH OVER 24" (EXCLUDING 27")	PAINTED	STAINLESS	OVERLAY
FOR EACH 6" INCREMENT	204	292	363	WIDTH x EXTRA DEPTH x PLUS	1.30	1.91	2.60
		263				450	
<b>SPECIAL WIDTH (LESS THAN 48")</b> USE NEXT LARGEST SIZE ON PRICE LIST, PLUS		263		<b>CUSTOM COLOR (SEE CUSTOM COLOR CHART)</b> ADD		822	
<b>STAINLESS STEEL INTERIOR ON OVERLAY HOOD</b> SUBTRACT PAINTED PRICE OF HOOD FROM STAINLESS PRICE OF HOOD				<b>TRIM OPTIONS</b> SEE PAGES 74-75 FOR FINISH AND TRIM OPTIONS			



# NEPH18 EURO-STYLE WALL MOUNT RANGE HOOD

**RECOMMENDED MOUNTING HEIGHT  
FROM COOKING SURFACE: 30"  
27" DEEP MODEL - NEPXH18**

MODEL NO.	WIDTH	PAINTED	STAINLESS	OVERLAY*	#LTS
WITH DUAL BLOWER (600 CFM)					
NEPH18-236	36	3200	3879	4767	2
NEPH18-242	42	3316	4110	5831	3
NEPH18-248	48	3516	4274	5906	3
*FOR OVERLAY HOODS, SPECIFY INTERIOR COLOR					
FOR 27" DEEP MODEL, ORDER NEPXH18 (NO ADDITIONAL COST)					



**SHOWN WITH  
MATCHING  
DUCT COVER  
(SOLD SEPARATELY)**

MODEL NO.	WIDTH	PAINTED	STAINLESS	OVERLAY	CLG.
WDCRND-12/12	12	486	526	594	8'
WDCRND-12/24	12	555	647	770	9'
WDCRND-12/36	12	634	754	956	10'

WDCRND MODELS INCLUDE A REMOVABLE FRONT PANEL.

**CUSTOM WALL MOUNT DUCT COVERS**

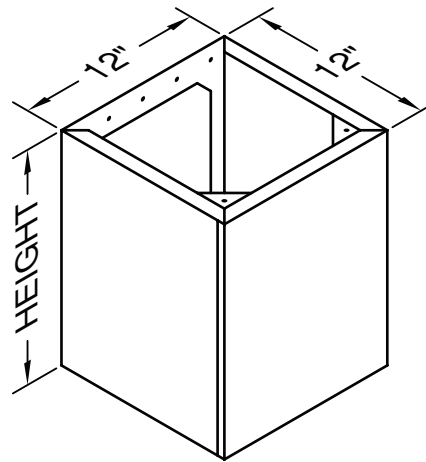
	PAINTED	STAINLESS	OVERLAY
WIDTH x HEIGHT x PLUS	0.54	0.88	1.37
ANY WDCRND-12 SS DUCT COVER MORE THAN 45" TALL WILL HAVE A VERTICAL GRAIN DIRECTION.		450	

**FINISHED TOP**

	PAINTED	STAINLESS	OVERLAY
WIDTH x DEPTH x PLUS	0.54	0.88	1.37
		263	

**SLOPED TOP ON DUCT COVER**

ADD	450
SPECIFY FRONT TO BACK OR LEFT TO RIGHT DIMENSIONS.	



**NEPH18 EURO-STYLE WALL MOUNT HOOD VARIATIONS**

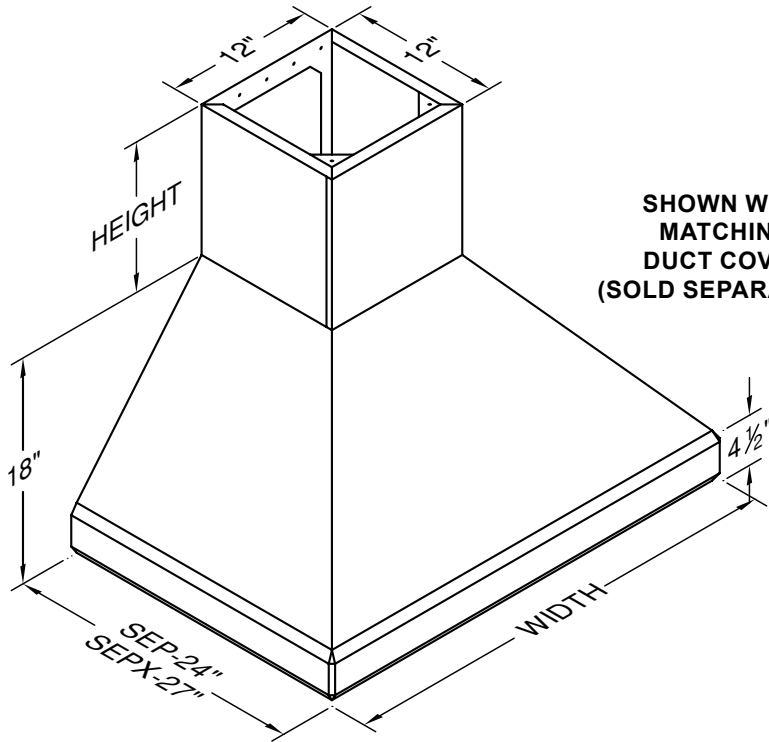
WIDTHS OVER 48"	PAINTED	STAINLESS	OVERLAY	DEPTH OVER 24" (EXCLUDING 27")	PAINTED	STAINLESS	OVERLAY
FOR EACH 6" INCREMENT	204	292	363	WIDTH x EXTRA DEPTH x PLUS	1.30	1.91	2.60
		263				450	
<b>SPECIAL WIDTH (LESS THAN 48")</b> USE NEXT LARGEST SIZE ON PRICE LIST, PLUS		263		<b>CUSTOM COLOR (SEE CUSTOM COLOR CHART)</b> ADD		822	
<b>STAINLESS STEEL INTERIOR ON OVERLAY HOOD</b> SUBTRACT PAINTED PRICE OF HOOD FROM STAINLESS PRICE OF HOOD				<b>TRIM OPTIONS</b> SEE PAGES 74-75 FOR FINISH AND TRIM OPTIONS			

# SEPH18 EURO-STYLE WALL MOUNT RANGE HOOD

**RECOMMENDED MOUNTING HEIGHT FROM COOKING SURFACE: 30"**  
**27" DEEP MODEL - SEPXH18**

MODEL NO.	WIDTH	PAINTED	STAINLESS	#LTS
WITH DUAL BLOWER (600 CFM)				
SEPH18-236	36	3194	3799	2
SEPH18-242	42	3395	4000	3
SEPH18-248	48	3494	4096	3

FOR 27" DEEP MODEL, ORDER SEPXH18 (NO ADDITIONAL COST)



**SHOWN WITH MATCHING DUCT COVER (SOLD SEPARATELY)**

MODEL NO.	WIDTH	PAINTED	STAINLESS	CLG.
WDCRND-12/12	12	486	526	8'
WDCRND-12/24	12	555	647	9'
WDCRND-12/36	12	634	754	10'

WDCRND MODELS INCLUDE A REMOVABLE FRONT PANEL.

**CUSTOM WALL MOUNT DUCT COVERS**

	PAINTED	STAINLESS
WIDTH x HEIGHT x PLUS	0.54	0.88
ANY WDCRND-12 SS DUCT COVER MORE THAN 45" TALL WILL HAVE A VERTICAL GRAIN DIRECTION.		450

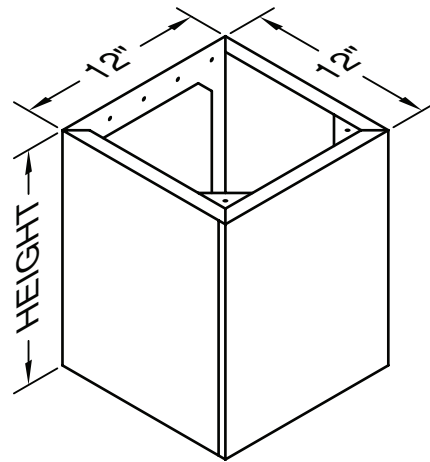
**FINISHED TOP**

	PAINTED	STAINLESS
WIDTH x DEPTH x PLUS	0.54	0.88
		263

**SLOPED TOP ON DUCT COVER**

ADD	450
-----	-----

SPECIFY FRONT TO BACK OR LEFT TO RIGHT DIMENSIONS.



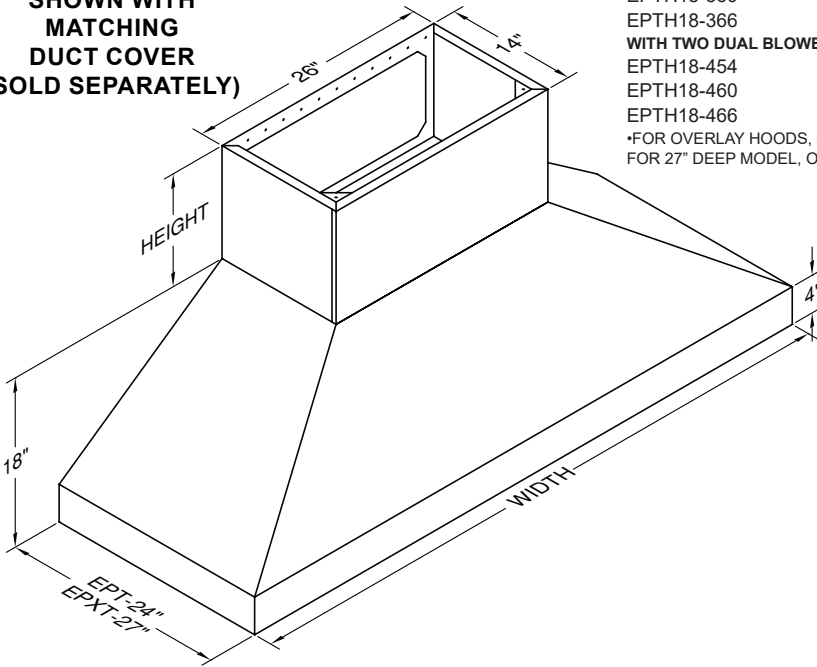
SEPH18 EURO-STYLE WALL MOUNT HOOD VARIATIONS					
<b>WIDTHS OVER 48"</b>			<b>DEPTH OVER 24" (EXCLUDING 27")</b>		
	PAINTED	STAINLESS		PAINTED	STAINLESS
FOR EACH 6" INCREMENT	204	292	WIDTH x EXTRA DEPTH x PLUS	1.30	1.91
		263			450
<b>SPECIAL WIDTH (LESS THAN 48")</b>			<b>CUSTOM COLOR (SEE CUSTOM COLOR CHART)</b>		
USE NEXT LARGEST SIZE ON PRICE LIST, PLUS			ADD		
			822		
			<b>TRIM OPTIONS</b>		
			SEE PAGES 74-75 FOR FINISH AND TRIM OPTIONS		



# EPTH18 EURO-STYLE WALL MOUNT RANGE HOOD

**RECOMMENDED MOUNTING HEIGHT FROM COOKING SURFACE: 30"**  
**TRANSITION INCLUDED IN HOOD 27" DEEP MODEL - EPXTH18**

**SHOWN WITH MATCHING DUCT COVER (SOLD SEPARATELY)**



MODEL NO.	WIDTH	PAINTED	STAINLESS	OVERLAY*	#LTS	INCL.
<b>WITH DUAL &amp; SINGLE BLOWERS (900 CFM)</b>						
EPTH18-342	42	4133	4937	6424	3	VP562
EPTH18-348	48	4234	5038	6639	3	VP562
EPTH18-354	54	4641	5778	7307	4	VP562
EPTH18-360	60	4826	6038	7653	4	VP562
EPTH18-366	66	4997	6310	7998	4	VP562
<b>WITH TWO DUAL BLOWERS (1200 CFM)</b>						
EPTH18-454	54	5045	6221	7713	4	VP563
EPTH18-460	60	5232	6481	8058	4	VP563
EPTH18-466	66	5403	6754	8403	4	VP563

\*FOR OVERLAY HOODS, SPECIFY INTERIOR COLOR  
 FOR 27" DEEP MODEL, ORDER EPXTH18 (NO ADDITIONAL COST)

MODEL NO.	WIDTH	PAINTED	STAINLESS	OVERLAY	CLG.
WDCRND-26/12	26	567	662	809	8'
WDCRND-26/24	26	729	916	1199	9'
WDCRND-26/36	26	890	1159	1592	10'

WDCRND MODELS INCLUDE A REMOVABLE FRONT PANEL.

**CUSTOM WALL MOUNT DUCT COVERS**

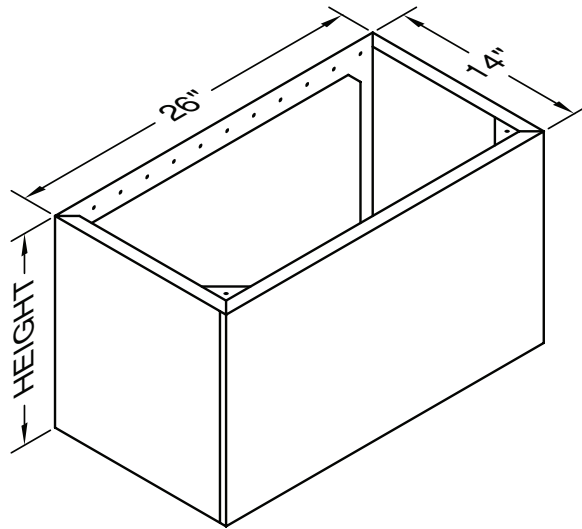
	PAINTED	STAINLESS	OVERLAY
WIDTH x HEIGHT x PLUS	0.54	0.88	1.37
ANY WDCRND-26 SS DUCT COVER MORE THAN 45" TALL WILL HAVE A VERTICAL GRAIN DIRECTION.		450	

**FINISHED TOP**

	PAINTED	STAINLESS	OVERLAY
WIDTH x DEPTH x PLUS	0.54	0.88	1.37
		263	

**SLOPED TOP ON DUCT COVER**

ADD 450  
 SPECIFY FRONT TO BACK OR LEFT TO RIGHT DIMENSIONS.



**EPTH18 EURO-STYLE WALL MOUNT HOOD VARIATIONS**

<b>WIDTHS OVER 66"</b>	PAINTED	STAINLESS	OVERLAY	<b>DEPTH OVER 24" (EXCLUDING 27")</b>	PAINTED	STAINLESS	OVERLAY
FOR EACH 6" INCREMENT	204	292	363	WIDTH x EXTRA DEPTH x PLUS	1.30	1.91	2.60
PLUS		263				450	
<b>SPECIAL WIDTH (LESS THAN 66")</b>				<b>CUSTOM COLOR (SEE CUSTOM COLOR CHART)</b>			
USE NEXT LARGEST SIZE ON PRICE LIST,				ADD	822		
PLUS	263			<b>TRIM OPTIONS</b>			
<b>STAINLESS STEEL INTERIOR ON OVERLAY HOOD</b>				SEE PAGES 74-75 FOR FINISH AND TRIM OPTIONS			
SUBTRACT PAINTED PRICE OF HOOD FROM STAINLESS PRICE OF HOOD							

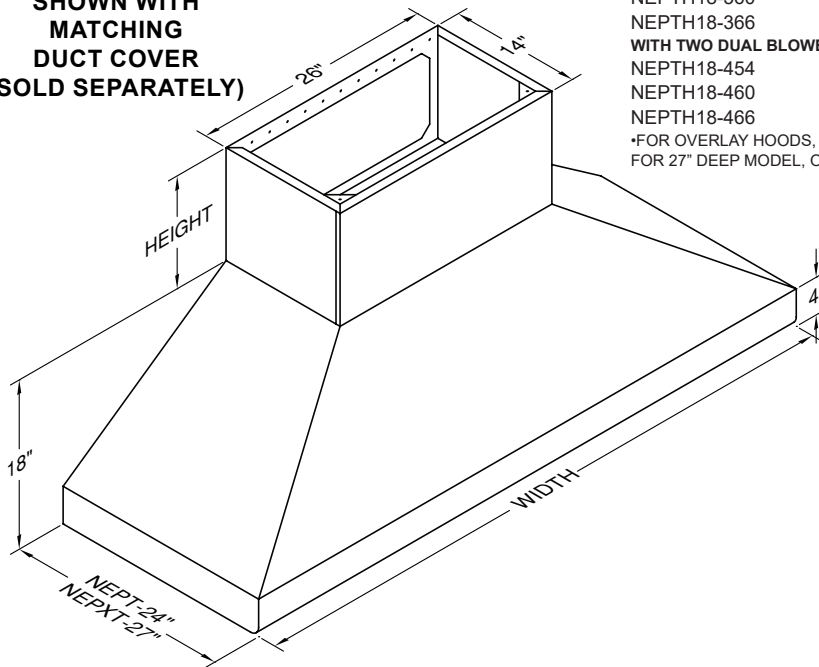




# NEPTH18 EURO-STYLE WALL MOUNT RANGE HOOD

**RECOMMENDED MOUNTING HEIGHT FROM COOKING SURFACE: 30"**  
**TRANSITION INCLUDED IN HOOD 27" DEEP MODEL - NEPXTH18**

**SHOWN WITH MATCHING DUCT COVER (SOLD SEPARATELY)**



MODEL NO.	WIDTH	PAINTED	STAINLESS	OVERLAY*	#LTS	INCL.
<b>WITH DUAL &amp; SINGLE BLOWERS (900 CFM)</b>						
NEPTH18-342	42	4590	5550	6981	3	VP562
NEPTH18-348	48	4696	5656	7204	3	VP562
NEPTH18-354	54	5119	6306	7901	4	VP562
NEPTH18-360	60	5299	6576	8261	4	VP562
NEPTH18-366	66	5494	6848	8622	4	VP562
<b>WITH TWO DUAL BLOWERS (1200 CFM)</b>						
NEPTH18-454	54	5542	6769	8323	4	VP563
NEPTH18-460	60	5721	7039	8683	4	VP563
NEPTH18-466	66	5915	7310	9043	4	VP563

\*FOR OVERLAY HOODS, SPECIFY INTERIOR COLOR  
 FOR 27" DEEP MODEL, ORDER NEPXTH18 (NO ADDITIONAL COST)

MODEL NO.	WIDTH	PAINTED	STAINLESS	OVERLAY	CLG.
WDCRND-26/12	26	567	662	809	8'
WDCRND-26/24	26	729	916	1199	9'
WDCRND-26/36	26	890	1159	1592	10'

WDCRND MODELS INCLUDE A REMOVABLE FRONT PANEL.

**CUSTOM WALL MOUNT DUCT COVERS**

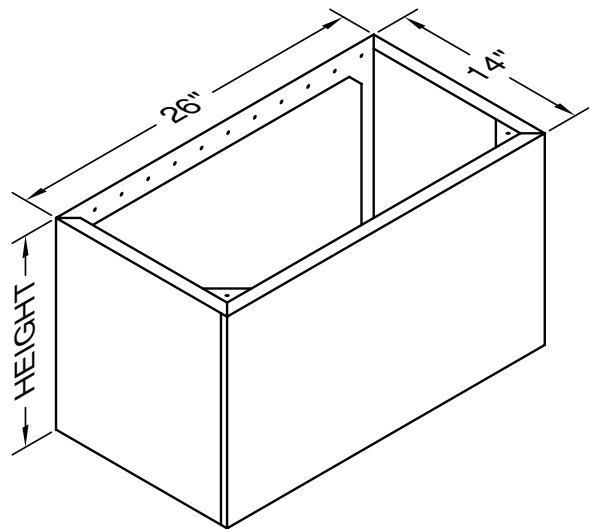
	PAINTED	STAINLESS	OVERLAY
WIDTH x HEIGHT x PLUS	0.54	0.88	1.37
ANY WDCRND-26 SS DUCT COVER MORE THAN 45" TALL WILL HAVE A VERTICAL GRAIN DIRECTION.		450	

**FINISHED TOP**

	PAINTED	STAINLESS	OVERLAY
WIDTH x DEPTH x PLUS	0.54	0.88	1.37
		263	

**SLOPED TOP ON DUCT COVER**

ADD 450  
 SPECIFY FRONT TO BACK OR LEFT TO RIGHT DIMENSIONS.



**NEPTH18 EURO-STYLE WALL MOUNT HOOD VARIATIONS**

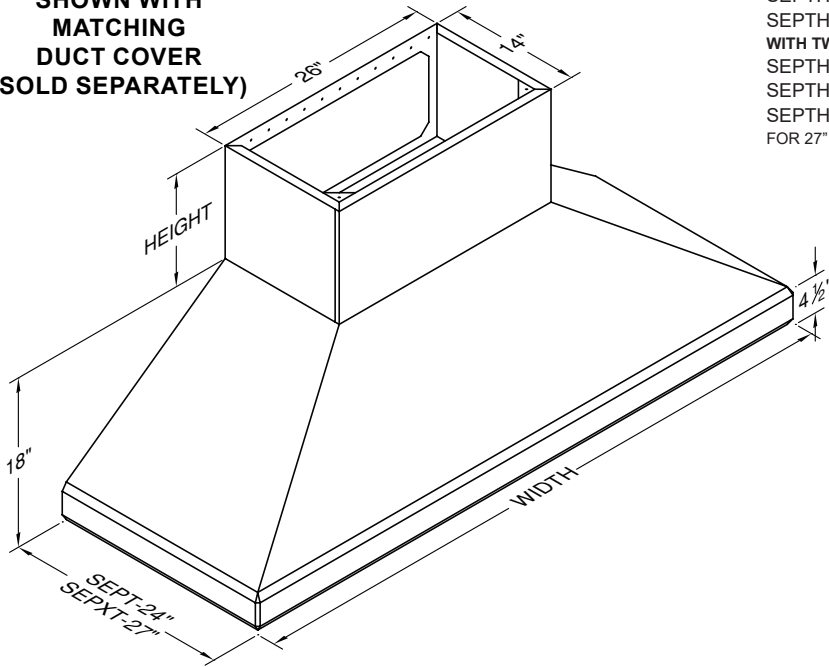
<b>WIDTHS OVER 66"</b>	PAINTED	STAINLESS	OVERLAY	<b>DEPTH OVER 24" (EXCLUDING 27")</b>	PAINTED	STAINLESS	OVERLAY
FOR EACH 6" INCREMENT	204	292	363	WIDTH x EXTRA DEPTH x PLUS	1.30	1.91	2.60
PLUS		263				450	
<b>SPECIAL WIDTH (LESS THAN 66")</b>				<b>CUSTOM COLOR (SEE CUSTOM COLOR CHART)</b>			
USE NEXT LARGEST SIZE ON PRICE LIST,				ADD	822		
PLUS	263			<b>TRIM OPTIONS</b>			
<b>STAINLESS STEEL INTERIOR ON OVERLAY HOOD</b>				SEE PAGES 74-75 FOR FINISH AND TRIM OPTIONS			
SUBTRACT PAINTED PRICE OF HOOD FROM STAINLESS PRICE OF HOOD							



# SEPTH18 EURO-STYLE WALL MOUNT RANGE HOOD

**RECOMMENDED MOUNTING HEIGHT FROM COOKING SURFACE: 30"**  
**TRANSITION INCLUDED IN HOOD**  
**27" DEEP MODEL - SEPXTH18**

**SHOWN WITH MATCHING DUCT COVER (SOLD SEPARATELY)**



MODEL NO.	WIDTH	PAINTED	STAINLESS	#LTS	INCL.
<b>WITH DUAL &amp; SINGLE BLOWERS (900 CFM)</b>					
SEPTH18-342	42	4646	5819	3	VP562
SEPTH18-348	48	5039	5936	3	VP562
SEPTH18-354	54	5422	6552	4	VP562
SEPTH18-360	60	5611	6813	4	VP562
SEPTH18-366	66	5786	7091	4	VP562
<b>WITH TWO DUAL BLOWERS (1200 CFM)</b>					
SEPTH18-454	54	5828	6996	4	VP563
SEPTH18-460	60	6016	7257	4	VP563
SEPTH18-466	66	6191	7534	4	VP563

FOR 27" DEEP MODEL, ORDER SEPXTH18 (NO ADDITIONAL COST)

MODEL NO.	WIDTH	PAINTED	STAINLESS	CLG.
WDCRND-26/12	26	567	662	8'
WDCRND-26/24	26	729	916	9'
WDCRND-26/36	26	890	1159	10'

WDCRND MODELS INCLUDE A REMOVABLE FRONT PANEL.

**CUSTOM WALL MOUNT DUCT COVERS**

	PAINTED	STAINLESS
WIDTH x HEIGHT x PLUS	0.54	0.88
ANY WDCRND-26 SS DUCT COVER MORE THAN 45" TALL WILL HAVE A VERTICAL GRAIN DIRECTION.		450

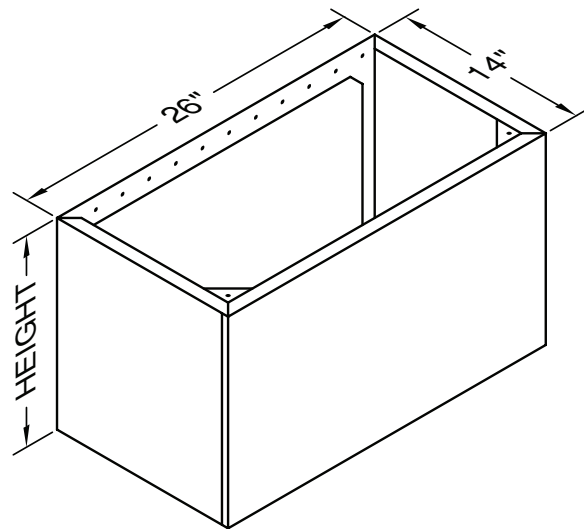
**FINISHED TOP**

	PAINTED	STAINLESS
WIDTH x DEPTH x PLUS	0.54	0.88
		263

**SLOPED TOP ON DUCT COVER**

ADD	450
-----	-----

SPECIFY FRONT TO BACK OR LEFT TO RIGHT DIMENSIONS.



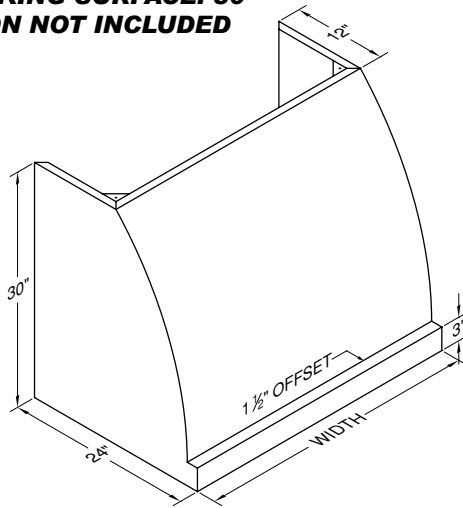
**SEPTH18 EURO-STYLE WALL MOUNT HOOD VARIATIONS**

WIDTHS OVER 66"	PAINTED	STAINLESS	DEPTH OVER 24" (EXCLUDING 27")	PAINTED	STAINLESS
FOR EACH 6" INCREMENT	204	292	WIDTH x EXTRA DEPTH x PLUS	1.30	1.91
PLUS		263			450
<b>SPECIAL WIDTH (LESS THAN 48")</b>			<b>CUSTOM COLOR (SEE CUSTOM COLOR CHART)</b>		
USE NEXT LARGEST SIZE ON PRICE LIST,			ADD	822	
PLUS	263		<b>TRIM OPTIONS</b>		
SEE PAGES 74-75 FOR FINISH AND TRIM OPTIONS					



# CXH30 WALL MOUNT RANGE HOOD

**RECOMMENDED MOUNTING HEIGHT FROM COOKING SURFACE: 30" TRANSITION NOT INCLUDED**



MODEL NO.	WIDTH	PAINTED	STAINLESS	OVERLAY*	#LTS
<b>WITH SINGLE BLOWER (300 CFM)</b>					
CXH30-130	30	2858	3860	5424	2
CXH30-136	36	3010	4071	5817	2
CXH30-142	42	3334	4455	6426	3
CXH30-148	48	3547	4729	6880	3
<b>WITH DUAL BLOWER (600 CFM)</b>					
CXH30-230	30	3281	4322	5847	2
CXH30-236	36	3433	4534	6240	2
CXH30-242	42	3756	4918	6849	3
CXH30-248	48	3969	5192	7303	3
CXH30-254	54	4550	6018	8409	4
<b>WITH DUAL &amp; SINGLE BLOWERS (900 CFM)</b>					
CXH30-342	42	4205	5472	7298	3
CXH30-348	48	4417	5747	7752	3
CXH30-354	54	5000	6571	8857	4
CXH30-360	60	5395	7101	9584	4
<b>WITH TWO DUAL BLOWERS (1200 CFM)</b>					
CXH30-448	48	4840	6209	8175	3
CXH30-454	54	5422	7035	9280	4
CXH30-460	60	5817	7564	10004	4
CXH30-466	66	6104	7959	10623	4

\*FOR OVERLAY HOODS, SPECIFY INTERIOR COLOR

**USE VP562 TRANSITION (OPTIONAL) ON 900 CFM MODELS TO COMBINE OUTLETS INTO A SINGLE 10" DUCT.  
USE VP563 TRANSITION (OPTIONAL) ON 1200 CFM MODELS TO COMBINE OUTLETS INTO A SINGLE 12" DUCT.**

### CUSTOM WALL MOUNT DUCT COVERS

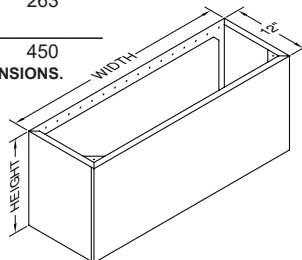
	PAINTED	STAINLESS	OVERLAY
WIDTH x HEIGHT x PLUS	0.54	0.88	1.37
ANY WDCRND SS DUCT COVER MORE THAN 43" TALL WILL HAVE A VERTICAL GRAIN DIRECTION. CUSTOM SIZES MAY BE LIMITED BY RAW MATERIAL SIZE. CONTACT FACTORY FOR FURTHER DETAILS.		450	

### FINISHED TOP

	PAINTED	STAINLESS	OVERLAY
WIDTH x DEPTH x PLUS	0.54	0.88	1.37
		263	

### SLOPED TOP ON DUCT COVER

ADD 450  
SPECIFY FRONT TO BACK OR LEFT TO RIGHT DIMENSIONS.



MODEL NO.	WIDTH	PAINTED	STAINLESS	OVERLAY	CLG.
WDCRND-30	30	594	701	864	9'
WDCRND-30/24	30	782	985	1321	10'
WDCRND-30/36	30	956	1281	1766	11'
WDCRND-36	36	634	754	956	9'
WDCRND-36/24	36	849	1106	1497	10'
WDCRND-36/36	36	1079	1456	2036	11'
WDCRND-42	42	675	822	1038	9'
WDCRND-42/24	42	931	1227	1672	10'
WDCRND-42/36	42	1187	1631	2306	11'
WDCRND-48	48	701	877	1132	9'
WDCRND-48/24	48	998	1335	1861	10'
WDCRND-48/36	48	1295	1794	2574	11'
WDCRND-54	54	741	931	1227	9'
WDCRND-60	60	782	985	1321	9'
WDCRND-66	66	822	1052	1402	9'

WDCRND MODELS INCLUDE A REMOVABLE FRONT PANEL.

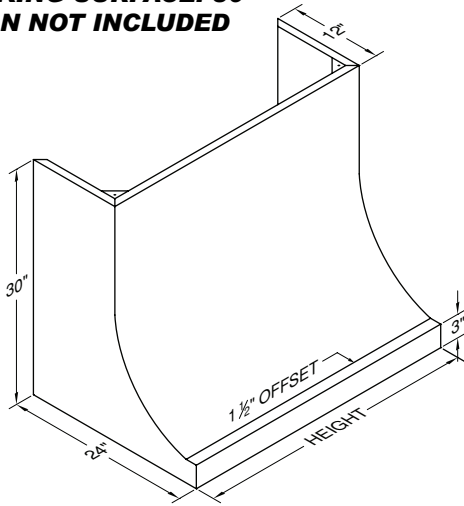
### CXH30 WALL MOUNT HOOD VARIATIONS

<b>WIDTHS OVER 66"</b>				<b>CLIPPED CORNER (MODELS WITH CONVEX ENDS ONLY)</b>
FOR EACH 6" INCREMENT	PAINTED 204	STAINLESS 292	OVERLAY 363	PER CORNER, ADD 450
PLUS		263		<b>CONVEX END (REDUCES TOP WIDTH BY 6" EACH)</b>
<b>SPECIAL WIDTH (LESS THAN 66")</b>				PER END, ADD 450
USE NEXT LARGEST SIZE ON PRICE LIST,				<b>SPECIAL BLOWER LOCATION</b>
PLUS		263		LEFT TO RIGHT, SPECIFY COLLAR CENTERLINE
<b>SPECIAL HEIGHT (BETWEEN 18" &amp; 30")</b>				ADD 263
USE STANDARD 30" PRICE,				<b>SPECIAL DECK (9" MINIMUM, 18" STANDARD)</b>
PLUS		450		ADD 263
<b>HEIGHT OVER 30"</b>				<b>STAINLESS STEEL INTERIOR ON OVERLAY HOOD</b>
WIDTH x EXTRA HEIGHT x PLUS	PAINTED 1.30	STAINLESS 1.91	OVERLAY 2.60	SUBTRACT PAINTED PRICE OF HOOD FROM STAINLESS PRICE OF HOOD
<b>DEPTH LESS THAN 24"</b>				<b>ADDITIONAL BLOWERS &amp; LIGHTS</b>
ADD		450		SEE PAGE 68 FOR BLOWER OPTIONS
<b>DEPTH OVER 24"</b>				<b>REMOTE BLOWER OPTIONS</b>
WIDTH x EXTRA DEPTH x PLUS	PAINTED 1.30	STAINLESS 1.91	OVERLAY 2.60	SEE PAGES 68-69 FOR REMOTE BLOWER OPTIONS
<b>SLOPE, LIP, OFFSET, OR TOP VARIATION</b>				<b>CUSTOM COLOR (SEE CUSTOM COLOR CHART)</b>
PER VARIATION, ADD		450		ADD 822
				<b>TRIM OPTIONS</b>
				SEE PAGES 74-75 FOR FINISH AND TRIM OPTIONS
				<b>WARMING LAMPS AND SHELVES</b>
				SEE PAGES 71 FOR WARMING LAMP AND SHELF OPTIONS



# DAH30 WALL MOUNT RANGE HOOD

**RECOMMENDED MOUNTING HEIGHT FROM COOKING SURFACE: 30" TRANSITION NOT INCLUDED**



MODEL NO.	WIDTH	PAINTED	STAINLESS	OVERLAY*	#LTS
<b>WITH SINGLE BLOWER (300 CFM)</b>					
DAH30-130	30	2858	3860	5424	2
DAH30-136	36	3010	4071	5817	2
DAH30-142	42	3334	4455	6426	3
DAH30-148	48	3547	4729	6880	3
<b>WITH DUAL BLOWER (600 CFM)</b>					
DAH30-230	30	3281	4322	5847	2
DAH30-236	36	3433	4534	6240	2
DAH30-242	42	3756	4918	6849	3
DAH30-248	48	3969	5192	7303	3
DAH30-254	54	4550	6018	8409	4
<b>WITH DUAL &amp; SINGLE BLOWERS (900 CFM)</b>					
DAH30-342	42	4205	5472	7298	3
DAH30-348	48	4417	5747	7752	3
DAH30-354	54	5000	6571	8857	4
DAH30-360	60	5395	7101	9584	4
<b>WITH TWO DUAL BLOWERS (1200 CFM)</b>					
DAH30-448	48	4840	6209	8175	3
DAH30-454	54	5422	7035	9280	4
DAH30-460	60	5817	7564	10004	4
DAH30-466	66	6104	7959	10623	4

\*FOR OVERLAY HOODS, SPECIFY INTERIOR COLOR

**USE VP562 TRANSITION (OPTIONAL) ON 900 CFM MODELS TO COMBINE OUTLETS INTO A SINGLE 10" DUCT.  
USE VP563 TRANSITION (OPTIONAL) ON 1200 CFM MODELS TO COMBINE OUTLETS INTO A SINGLE 12" DUCT.**

### CUSTOM WALL MOUNT DUCT COVERS

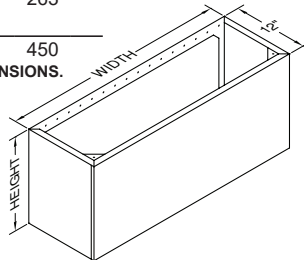
	PAINTED	STAINLESS	OVERLAY
WIDTH x HEIGHT x PLUS	0.54	0.88	1.37
ANY WDCRND SS DUCT COVER MORE THAN 43" TALL WILL HAVE A VERTICAL GRAIN DIRECTION. CUSTOM SIZES MAY BE LIMITED BY RAW MATERIAL SIZE. CONTACT FACTORY FOR FURTHER DETAILS.	450		

### FINISHED TOP

	PAINTED	STAINLESS	OVERLAY
WIDTH x DEPTH x PLUS	0.54	0.88	1.37
	263		

### SLOPED TOP ON DUCT COVER

ADD 450  
SPECIFY FRONT TO BACK OR LEFT TO RIGHT DIMENSIONS.



MODEL NO.	WIDTH	PAINTED	STAINLESS	OVERLAY	CLG.
WDCRND-30	30	594	701	864	9'
WDCRND-30/24	30	782	985	1321	10'
WDCRND-30/36	30	956	1281	1766	11'
WDCRND-36	36	634	754	956	9'
WDCRND-36/24	36	849	1106	1497	10'
WDCRND-36/36	36	1079	1456	2036	11'
WDCRND-42	42	675	822	1038	9'
WDCRND-42/24	42	931	1227	1672	10'
WDCRND-42/36	42	1187	1631	2306	11'
WDCRND-48	48	701	877	1132	9'
WDCRND-48/24	48	998	1335	1861	10'
WDCRND-48/36	48	1295	1794	2574	11'
WDCRND-54	54	741	931	1227	9'
WDCRND-60	60	782	985	1321	9'
WDCRND-66	66	822	1052	1402	9'

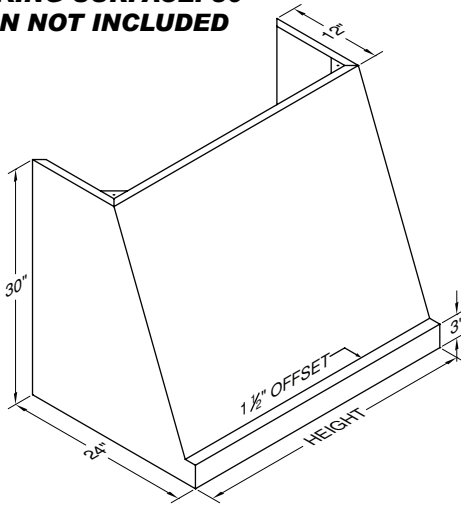
WDCRND MODELS INCLUDE A REMOVABLE FRONT PANEL.

### DAH30 WALL MOUNT HOOD VARIATIONS

<b>WIDTHS OVER 66"</b>				<b>CLIPPED CORNER</b>
FOR EACH 6" INCREMENT	PAINTED 204	STAINLESS 292	OVERLAY 363	PER CORNER, ADD 450
PLUS		263		<b>CONCAVE END (REDUCES TOP WIDTH BY 6" EACH)</b>
<b>SPECIAL WIDTH (LESS THAN 66")</b>				PER END, ADD 450
USE NEXT LARGEST SIZE ON PRICE LIST,				<b>SPECIAL BLOWER LOCATION</b>
PLUS		263		LEFT TO RIGHT, SPECIFY COLLAR CENTERLINE
<b>SPECIAL HEIGHT (BETWEEN 18" &amp; 30")</b>				ADD 263
USE STANDARD 30" PRICE,				<b>SPECIAL DECK (9" MINIMUM, 18" STANDARD)</b>
PLUS		450		ADD 263
<b>HEIGHT OVER 30"</b>				<b>STAINLESS STEEL INTERIOR ON OVERLAY HOOD</b>
WIDTH x EXTRA HEIGHT x PLUS	PAINTED 1.30	STAINLESS 1.91	OVERLAY 2.60	SUBTRACT PAINTED PRICE OF HOOD FROM STAINLESS PRICE OF HOOD
<b>DEPTH LESS THAN 24"</b>				<b>ADDITIONAL BLOWERS &amp; LIGHTS</b>
ADD		450		SEE PAGE 68 FOR BLOWER OPTIONS
<b>DEPTH OVER 24"</b>				<b>REMOTE BLOWER OPTIONS</b>
WIDTH x EXTRA DEPTH x PLUS	PAINTED 1.30	STAINLESS 1.91	OVERLAY 2.60	SEE PAGES 68-69 FOR REMOTE BLOWER OPTIONS
<b>SLOPE, LIP, OFFSET, OR TOP VARIATION</b>				<b>CUSTOM COLOR (SEE CUSTOM COLOR CHART)</b>
PER VARIATION, ADD		450		ADD 822
				<b>TRIM OPTIONS</b>
				SEE PAGES 74-75 FOR FINISH AND TRIM OPTIONS
				<b>WARMING LAMPS AND SHELVES</b>
				SEE PAGES 71 FOR WARMING LAMP AND SHELF OPTIONS

# PWVH30 WALL MOUNT RANGE HOOD

**RECOMMENDED MOUNTING HEIGHT FROM COOKING SURFACE: 30" TRANSITION NOT INCLUDED**



MODEL NO.	WIDTH	PAINTED	STAINLESS	OVERLAY*	#LTS
<b>WITH SINGLE BLOWER (300 CFM)</b>					
PWVH30-130	30	2858	3860	5424	2
PWVH30-136	36	3010	4071	5817	2
PWVH30-142	42	3334	4455	6426	3
PWVH30-148	48	3547	4729	6880	3
<b>WITH DUAL BLOWER (600 CFM)</b>					
PWVH30-230	30	3281	4322	5847	2
PWVH30-236	36	3433	4534	6240	2
PWVH30-242	42	3756	4918	6849	3
PWVH30-248	48	3969	5192	7303	3
PWVH30-254	54	4550	6018	8409	4
<b>WITH DUAL &amp; SINGLE BLOWERS (900 CFM)</b>					
PWVH30-342	42	4205	5472	7298	3
PWVH30-348	48	4417	5747	7752	3
PWVH30-354	54	5000	6571	8857	4
PWVH30-360	60	5395	7101	9584	4
<b>WITH TWO DUAL BLOWERS (1200 CFM)</b>					
PWVH30-448	48	4840	6209	8175	3
PWVH30-454	54	5422	7035	9280	4
PWVH30-460	60	5817	7564	10004	4
PWVH30-466	66	6104	7959	10623	4

\*FOR OVERLAY HOODS, SPECIFY INTERIOR COLOR

**USE VP562 TRANSITION (OPTIONAL) ON 900 CFM MODELS TO COMBINE OUTLETS INTO A SINGLE 10" DUCT.  
USE VP563 TRANSITION (OPTIONAL) ON 1200 CFM MODELS TO COMBINE OUTLETS INTO A SINGLE 12" DUCT.**

### CUSTOM WALL MOUNT DUCT COVERS

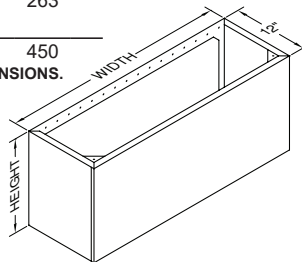
	PAINTED	STAINLESS	OVERLAY
WIDTH x HEIGHT x PLUS	0.54	0.88	1.37
ANY WDCRND SS DUCT COVER MORE THAN 43" TALL WILL HAVE A VERTICAL GRAIN DIRECTION. CUSTOM SIZES MAY BE LIMITED BY RAW MATERIAL SIZE. CONTACT FACTORY FOR FURTHER DETAILS.		450	

### FINISHED TOP

	PAINTED	STAINLESS	OVERLAY
WIDTH x DEPTH x PLUS	0.54	0.88	1.37
		263	

### SLOPED TOP ON DUCT COVER

ADD 450  
SPECIFY FRONT TO BACK OR LEFT TO RIGHT DIMENSIONS.



MODEL NO.	WIDTH	PAINTED	STAINLESS	OVERLAY	CLG.
WDCRND-30	30	594	701	864	9'
WDCRND-30/24	30	782	985	1321	10'
WDCRND-30/36	30	956	1281	1766	11'
WDCRND-36	36	634	754	956	9'
WDCRND-36/24	36	849	1106	1497	10'
WDCRND-36/36	36	1079	1456	2036	11'
WDCRND-42	42	675	822	1038	9'
WDCRND-42/24	42	931	1227	1672	10'
WDCRND-42/36	42	1187	1631	2306	11'
WDCRND-48	48	701	877	1132	9'
WDCRND-48/24	48	998	1335	1861	10'
WDCRND-48/36	48	1295	1794	2574	11'
WDCRND-54	54	741	931	1227	9'
WDCRND-60	60	782	985	1321	9'
WDCRND-66	66	822	1052	1402	9'

WDCRND MODELS INCLUDE A REMOVABLE FRONT PANEL.

### PWVH30 WALL MOUNT HOOD VARIATIONS

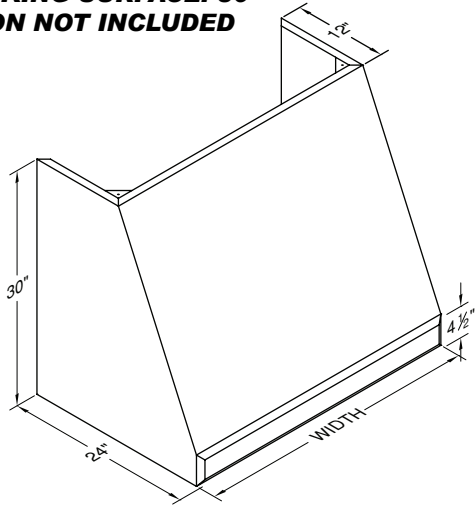
<b>WIDTHS OVER 66"</b>				<b>CLIPPED CORNER</b>
FOR EACH 6" INCREMENT	PAINTED 204	STAINLESS 292	OVERLAY 363	PER CORNER, ADD 450
PLUS		263		<b>SLOPED END (REDUCES TOP WIDTH BY 6" EACH)</b>
<b>SPECIAL WIDTH (LESS THAN 66")</b>				PER END, ADD 450
USE NEXT LARGEST SIZE ON PRICE LIST,				<b>SPECIAL BLOWER LOCATION</b>
PLUS		263		LEFT TO RIGHT, SPECIFY COLLAR CENTERLINE
<b>SPECIAL HEIGHT (BETWEEN 18" &amp; 30")</b>				ADD 263
USE STANDARD 30" PRICE,				<b>SPECIAL DECK (9" MINIMUM, 18" STANDARD)</b>
PLUS		450		ADD 263
<b>HEIGHT OVER 30"</b>				<b>STAINLESS STEEL INTERIOR ON OVERLAY HOOD</b>
WIDTH x EXTRA HEIGHT x PLUS	PAINTED 1.30	STAINLESS 1.91	OVERLAY 2.60	SUBTRACT PAINTED PRICE OF HOOD FROM STAINLESS PRICE OF HOOD
<b>DEPTH LESS THAN 24"</b>				<b>ADDITIONAL BLOWERS &amp; LIGHTS</b>
ADD		450		SEE PAGE 68 FOR BLOWER OPTIONS
<b>DEPTH OVER 24"</b>				<b>REMOTE BLOWER OPTIONS</b>
WIDTH x EXTRA DEPTH x PLUS	PAINTED 1.30	STAINLESS 1.91	OVERLAY 2.60	SEE PAGES 68-69 FOR REMOTE BLOWER OPTIONS
<b>SLOPE, LIP, OFFSET, OR TOP VARIATION</b>				<b>CUSTOM COLOR (SEE CUSTOM COLOR CHART)</b>
PER VARIATION, ADD		450		ADD 822
				<b>TRIM OPTIONS</b>
				SEE PAGES 74-75 FOR FINISH AND TRIM OPTIONS
				<b>WARMING LAMPS AND SHELVES</b>
				SEE PAGES 71 FOR WARMING LAMP AND SHELF OPTIONS





# SLH30 WALL MOUNT RANGE HOOD

**RECOMMENDED MOUNTING HEIGHT FROM COOKING SURFACE: 30" TRANSITION NOT INCLUDED**



MODEL NO.	WIDTH	PAINTED	STAINLESS	OVERLAY*	#LTS
<b>WITH SINGLE BLOWER (300 CFM)</b>					
SLH30-130	30	2858	3860	5424	2
SLH30-136	36	3010	4071	5817	2
SLH30-142	42	3334	4455	6426	3
SLH30-148	48	3547	4729	6880	3
<b>WITH DUAL BLOWER (600 CFM)</b>					
SLH30-230	30	3281	4322	5847	2
SLH30-236	36	3433	4534	6240	2
SLH30-242	42	3756	4918	6849	3
SLH30-248	48	3969	5192	7303	3
SLH30-254	54	4550	6018	8409	4
<b>WITH DUAL &amp; SINGLE BLOWERS (900 CFM)</b>					
SLH30-342	42	4205	5472	7298	3
SLH30-348	48	4417	5747	7752	3
SLH30-354	54	5000	6571	8857	4
SLH30-360	60	5395	7101	9584	4
<b>WITH TWO DUAL BLOWERS (1200 CFM)</b>					
SLH30-448	48	4840	6209	8175	3
SLH30-454	54	5422	7035	9280	4
SLH30-460	60	5817	7564	10004	4
SLH30-466	66	6104	7959	10623	4

\*FOR OVERLAY HOODS, SPECIFY INTERIOR COLOR

**USE VP562 TRANSITION (OPTIONAL) ON 900 CFM MODELS TO COMBINE OUTLETS INTO A SINGLE 10" DUCT.  
USE VP563 TRANSITION (OPTIONAL) ON 1200 CFM MODELS TO COMBINE OUTLETS INTO A SINGLE 12" DUCT.**

**CUSTOM WALL MOUNT DUCT COVERS**

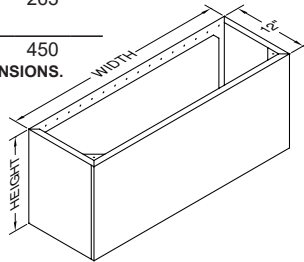
	PAINTED	STAINLESS	OVERLAY
WIDTH x HEIGHT x PLUS	0.54	0.88	1.37
ANY WDCRND SS DUCT COVER MORE THAN 43" TALL WILL HAVE A VERTICAL GRAIN DIRECTION. CUSTOM SIZES MAY BE LIMITED BY RAW MATERIAL SIZE. CONTACT FACTORY FOR FURTHER DETAILS.	450		

**FINISHED TOP**

	PAINTED	STAINLESS	OVERLAY
WIDTH x DEPTH x PLUS	0.54	0.88	1.37
	263		

**SLOPED TOP ON DUCT COVER**

ADD 450  
SPECIFY FRONT TO BACK OR LEFT TO RIGHT DIMENSIONS.



MODEL NO.	WIDTH	PAINTED	STAINLESS	OVERLAY	CLG.
WDCRND-30	30	594	701	864	9'
WDCRND-30/24	30	782	985	1321	10'
WDCRND-30/36	30	956	1281	1766	11'
WDCRND-36	36	634	754	956	9'
WDCRND-36/24	36	849	1106	1497	10'
WDCRND-36/36	36	1079	1456	2036	11'
WDCRND-42	42	675	822	1038	9'
WDCRND-42/24	42	931	1227	1672	10'
WDCRND-42/36	42	1187	1631	2306	11'
WDCRND-48	48	701	877	1132	9'
WDCRND-48/24	48	998	1335	1861	10'
WDCRND-48/36	48	1295	1794	2574	11'
WDCRND-54	54	741	931	1227	9'
WDCRND-60	60	782	985	1321	9'
WDCRND-66	66	822	1052	1402	9'

WDCRND MODELS INCLUDE A REMOVABLE FRONT PANEL.

**SLH30 WALL MOUNT HOOD VARIATIONS**

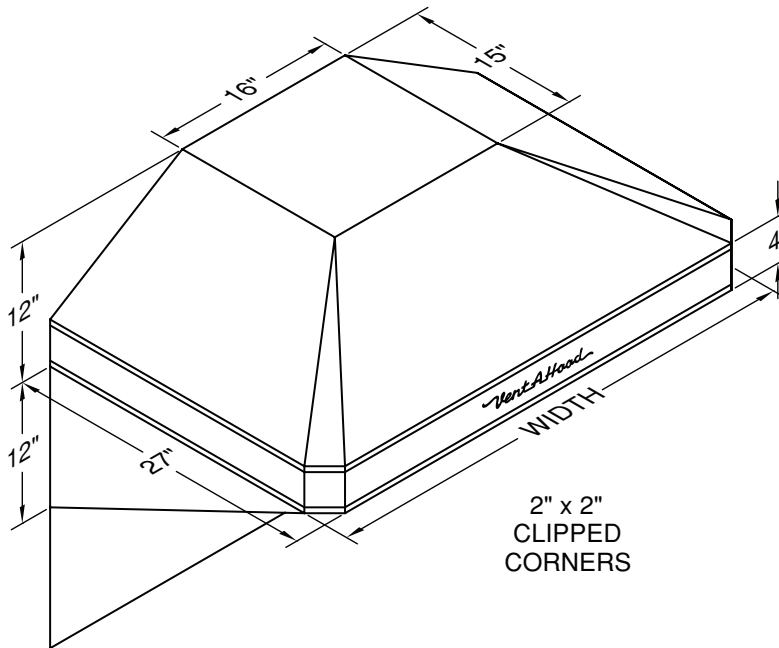
<b>WIDTHS OVER 66"</b>	PAINTED	STAINLESS	OVERLAY	<b>SLOPE, LIP, OFFSET, OR TOP VARIATION</b>
FOR EACH 6" INCREMENT	204	292	363	PER VARIATION, ADD 450
PLUS				263
<b>SPECIAL WIDTH (LESS THAN 66")</b>				<b>SLOPED END (REDUCES TOP WIDTH BY 6" EACH, N/A ON OVERLAY)</b>
USE NEXT LARGEST SIZE ON PRICE LIST,				PER END, ADD 450
PLUS	263			
<b>SPECIAL HEIGHT (BETWEEN 18" &amp; 30")</b>				<b>SPECIAL BLOWER LOCATION</b>
USE STANDARD 30" PRICE,				LEFT TO RIGHT, SPECIFY COLLAR CENTERLINE
PLUS	450			ADD 263
<b>HEIGHT OVER 30"</b>	PAINTED	STAINLESS	OVERLAY	<b>SPECIAL DECK (9" MINIMUM, 18" STANDARD)</b>
WIDTH x EXTRA HEIGHT x	1.30	1.91	2.60	ADD 263
PLUS	450			<b>STAINLESS STEEL INTERIOR ON OVERLAY HOOD</b>
<b>DEPTH LESS THAN 24"</b>				SUBTRACT PAINTED PRICE OF HOOD FROM STAINLESS PRICE OF HOOD
ADD	450			<b>ADDITIONAL BLOWERS &amp; LIGHTS</b>
<b>DEPTH OVER 24"</b>	PAINTED	STAINLESS	OVERLAY	SEE PAGE 68 FOR BLOWER OPTIONS
WIDTH x EXTRA DEPTH x	1.30	1.91	2.60	<b>REMOTE BLOWER OPTIONS</b>
PLUS	450			SEE PAGES 68-69 FOR REMOTE BLOWER OPTIONS
				<b>CUSTOM COLOR (SEE CUSTOM COLOR CHART)</b>
				ADD 822
				<b>TRIM OPTIONS</b>
				SEE PAGES 74-75 FOR FINISH AND TRIM OPTIONS
				<b>WARMING LAMPS AND SHELVES</b>
				SEE PAGES 71 FOR WARMING LAMP AND SHELF OPTIONS





# AH12 RETRO-STYLE WALL MOUNT RANGE HOOD

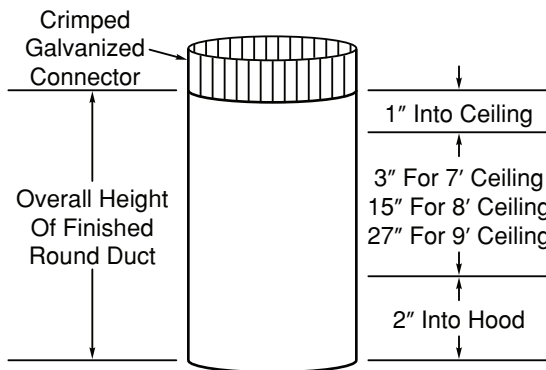
**RECOMMENDED MOUNTING HEIGHT FROM COOKING SURFACE: 33"**



MODEL NO.	WIDTH	PAINTED	#LTS
<b>WITH SINGLE BLOWER (300 CFM)</b>			
AH12-130	30	2008	2
AH12-136	36	2037	2
AH12-142	42	2256	3
AH12-148	48	2346	3
<b>WITH DUAL BLOWER (600 CFM)</b>			
AH12-236	36	2460	2
AH12-242	42	2679	3
AH12-248	48	2769	3

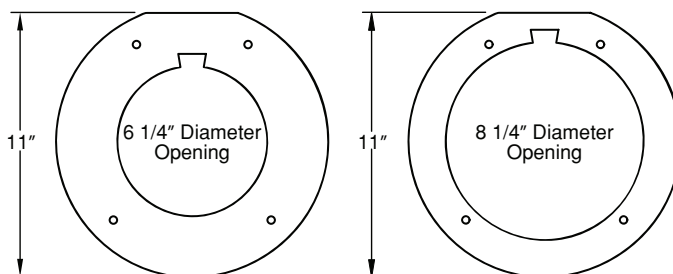
HOOD INCLUDES TWO SIDE WING PANELS AND SPLASH PANEL 30" TALL X WIDTH OF HOOD.

MODEL NO.	WIDTH	PAINTED	CLG.
ARDC-6/6	6	83	7'
ARDC-6/18	6	111	8'
ARDC-6/30	6	137	9'
ARDC-8/6	8	83	7'
ARDC-8/18	8	137	8'
ARDC-8/30	8	166	9'



<b>CUSTOM FINISHED ROUND DUCT</b>		
	<b>PAINTED</b>	
WIDTH x HEIGHT x PLUS	0.54 450	

NOTE: FINISHED ROUND DUCT EXTENDS 2" INTO TOP OF HOOD AND 1" INTO CEILING.  
 NOTE: WHEN PRICING CUSTOM FINISHED ROUND DUCT, INCLUDE THE 2" THAT EXTENDS INTO TOP OF HOOD AND 1" THAT EXTENDS INTO CEILING (3" TOTAL). TOTAL OVERALL HEIGHT CANNOT EXCEED 60" (10' 8" CEILING).  
 NOTE: TOP END OF FINISHED ROUND DUCT IS CRIMPED TO ALLOW FOR DUCT CONNECTION IN THE CEILING (CRIMP IS NOT INCLUDED IN THE OVERALL HEIGHT OF THE FINISHED ROUND DUCT).



MODEL NO.	WIDTH	PAINTED
ARC6	6"	26
ARC8	8"	26

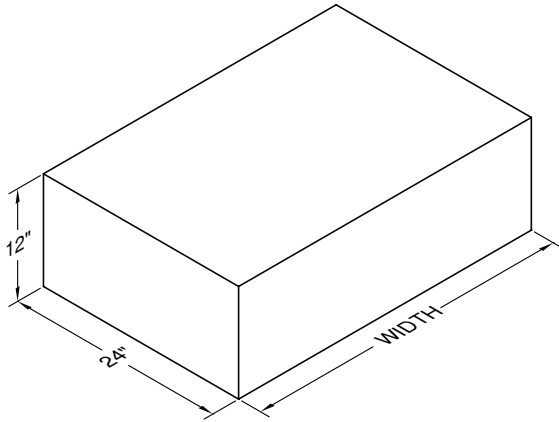
## AH12 RETRO-STYLE WALL MOUNT HOOD VARIATIONS

<b>SPECIAL WIDTH (LESS THAN 48")</b> USE NEXT LARGEST SIZE ON PRICE LIST, PLUS	450	<b>CUSTOM COLOR (SEE CUSTOM COLOR CHART)</b> ADD	822
--	-----	---	-----



# CWH WALL MOUNT RANGE HOOD

**RECOMMENDED MOUNTING HEIGHT  
FROM COOKING SURFACE: 30"  
TRANSITION NOT INCLUDED**



MODEL NO.	WIDTH	PAINTED	STAINLESS	OVERLAY*	#LTS
<b>WITH SINGLE BLOWER (300 CFM)</b>					
CWH-130	30	1880	2599	3550	2
CWH-136	36	1909	2643	3692	2
CWH-142	42	2146	2865	4059	3
CWH-148	48	2245	2980	4258	3
<b>WITH DUAL BLOWER (600 CFM)</b>					
CWH-230	30	2302	3063	3972	2
CWH-236	36	2331	3106	4114	2
CWH-242	42	2568	3328	4482	3
CWH-248	48	2668	3441	4680	3
CWH-254	54	3176	4136	5418	4
<b>WITH DUAL &amp; SINGLE BLOWERS (900 CFM)</b>					
CWH-342	42	3017	3882	4930	3
CWH-348	48	3116	3996	5130	3
CWH-354	54	3625	4691	5867	4
CWH-360	60	3868	5019	6309	4
<b>WITH TWO DUAL BLOWERS (1200 CFM)</b>					
CWH-448	48	3538	4458	5552	3
CWH-454	54	4048	5153	6290	4
CWH-460	60	4290	5482	6732	4
CWH-466	66	4490	5724	7075	4

\*FOR OVERLAY HOODS, SPECIFY INTERIOR COLOR

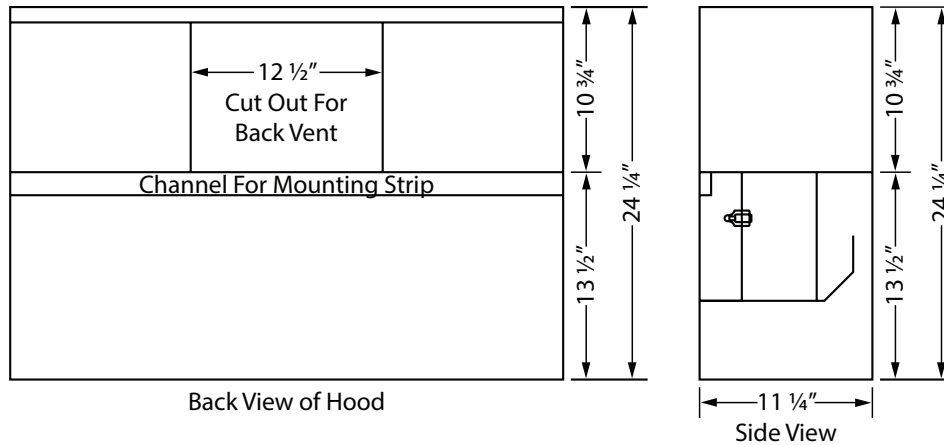
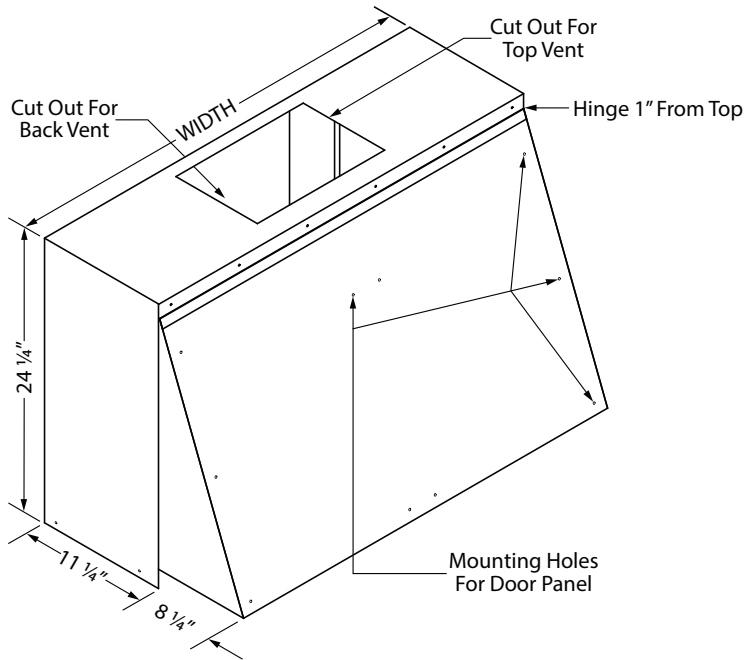
**USE VP562 TRANSITION (OPTIONAL) ON 900 CFM MODELS TO COMBINE OUTLETS INTO A SINGLE 10" DUCT.  
USE VP563 TRANSITION (OPTIONAL) ON 1200 CFM MODELS TO COMBINE OUTLETS INTO A SINGLE 12" DUCT.**

CWH WALL MOUNT HOOD VARIATIONS					
<b>WIDTHS OVER 66"</b>			PAINTED	STAINLESS	OVERLAY
FOR EACH 6" INCREMENT PLUS					
<b>SPECIAL WIDTH (LESS THAN 66")</b>			USE NEXT LARGEST SIZE ON PRICE LIST, PLUS		
				263	
<b>SPECIAL HEIGHT (BETWEEN 9" &amp; 12")</b>			USE STANDARD PRICE, PLUS		
				450	
<b>HEIGHT OVER 12"</b>			PAINTED	STAINLESS	OVERLAY
WIDTH x EXTRA HEIGHT x PLUS					
<b>DEPTH LESS THAN 24"</b>			ADD		
				450	
<b>DEPTH OVER 24"</b>			PAINTED	STAINLESS	OVERLAY
WIDTH x EXTRA DEPTH x PLUS					
<b>LIP AND OFFSET</b>			1, 2 OR 3 SIDES, ADD		
				450	
<b>ROUNDED CORNER</b>					
NO OFFSETS OR LIP, MINIMUM 4 INCH RADIUS					
PER CORNER, ADD 509					
<b>SPECIAL BLOWER LOCATION</b>					
LEFT TO RIGHT, SPECIFY COLLAR CENTERLINE					
ADD 263					
<b>SPECIAL DECK (9" MINIMUM)</b>					
ADD 263					
<b>STAINLESS STEEL INTERIOR ON OVERLAY HOOD</b>					
SUBTRACT PAINTED PRICE OF HOOD FROM STAINLESS PRICE OF HOOD					
<b>ADDITIONAL BLOWERS &amp; LIGHTS</b>					
SEE PAGE 68 FOR BLOWER OPTIONS					
<b>REMOTE BLOWER OPTIONS</b>					
SEE PAGES 68-69 FOR REMOTE BLOWER OPTIONS					
<b>CUSTOM COLOR (SEE CUSTOM COLOR CHART)</b>					
ADD 822					
<b>TRIM OPTIONS</b>					
SEE PAGES 74-75 FOR FINISH AND TRIM OPTIONS					
<b>WARMING LAMPS AND SHELVES</b>					
SEE PAGES 71 FOR WARMING LAMP AND SHELF OPTIONS					

# TLH WALL MOUNT RANGE HOOD

**RECOMMENDED MOUNTING HEIGHT  
FROM COOKING SURFACE: 23 3/4"**

MODEL NO.	WIDTH	PAINTED	STAINLESS	#LTS
<b>WITH SINGLE BLOWER (300 CFM)</b>				
TLH-130	30	1937	2623	2
TLH-136	36	1982	2652	2
TLH-142	42	2136	2821	3
TLH-148	48	2222	2924	3
<b>WITH DUAL BLOWER (600 CFM)</b>				
TLH-230	30	2360	3085	2
TLH-236	36	2405	3115	2
TLH-242	42	2558	3284	3
TLH-248	48	2645	3387	3

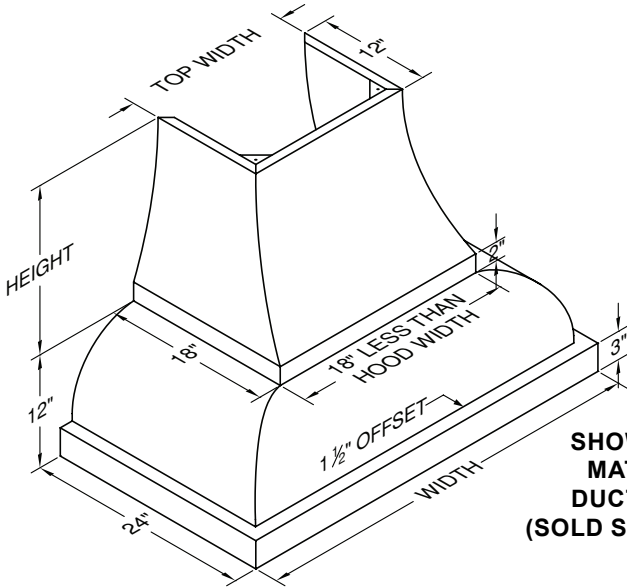


TLH WALL MOUNT HOOD VARIATIONS			
<b>SPECIAL WIDTH (LESS THAN 48")</b>			
ADD	263	<b>CUSTOM TILT OUT</b>	
<b>HINGE AT TOP</b>		HEIGHT (36" MAX), WIDTH, DEPTH OR COMBO VARIATION	
ADD	263	ADD	537
		<b>CUSTOM COLOR (SEE CUSTOM COLOR CHART)</b>	
		ADD	822



# JCH/A1 DESIGNER SERIES WALL MOUNT RANGE HOOD

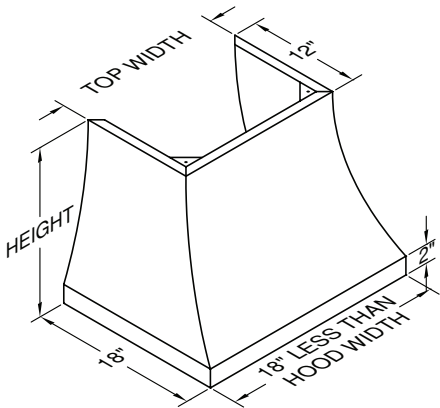
**RECOMMENDED MOUNTING HEIGHT FROM COOKING SURFACE: 30" TRANSITION INCLUDED IN HOOD**



**SHOWN WITH MATCHING DUCT COVER (SOLD SEPARATELY)**

MODEL NO.	WIDTH	TOP W.	PAINTED	STAINLESS	OVERLAY*	#LTS
<b>WITH SINGLE BLOWER (300 CFM)</b>						
JCH136/A1	36	18"	2553	3141	4124	2
JCH142/A1	42	24"	2755	3314	4445	3
JCH148/A1	48	30"	2856	3445	4607	3
<b>WITH DUAL BLOWER (600 CFM)</b>						
JCH236/A1	36	18"	2960	3588	4533	2
JCH242/A1	42	24"	3163	3761	4854	3
JCH248/A1	48	30"	3265	3892	5016	3
<b>WITH DUAL &amp; SINGLE BLOWERS (900 CFM)*</b>						
JCH348/A1	48	30"	3700	4429	5451	3
JCH354/A1	54	36"	4383	5280	6442	4
JCH360/A1	60	42"	4545	5500	6779	4
<b>WITH TWO DUAL BLOWERS (1200 CFM)+</b>						
JCH454/A1	54	36"	4791	5727	6851	4
JCH460/A1	60	42"	4953	5950	7189	4
JCH466/A1	66	48"	5148	6208	7544	4

\*FOR OVERLAY HOODS, SPECIFY INTERIOR COLOR  
 \*VP562 TRANSITION TO 10" ROUND INCLUDED WITH 900 CFM MODELS  
 +VP563 TRANSITION TO 12" ROUND INCLUDED WITH 1200 CFM MODELS



MODEL NO.	WIDTH	TOP W.	PAINTED	STAINLESS	OVERLAY*	CLG.
CDC-18/12/18	18	12	975	1073	1210	8'
CDC-18/12/30	18	12	1416	1581	1829	9'
CDC-18/12/42	18	12	1526	1759	2117	10'
CDC-24/12/18	24	18	1032	1154	1347	8'
CDC-24/12/30	24	12	1512	1733	2063	9'
CDC-24/12/42	24	12	1663	1965	2447	10'
CDC-30/12/18	30	24	1086	1237	1484	8'
CDC-30/12/30	30	12	1609	1882	2295	9'
CDC-30/12/42	30	12	1800	2184	2777	10'
CDC-36/12/18	36	30	1141	1333	1623	8'
CDC-36/12/30	36	18	1705	2034	2530	9'
CDC-36/12/42	36	18	1939	2390	3106	10'
CDC-42/12/18	42	36	1196	1416	1746	8'
CDC-42/12/30	42	24	1800	2184	2777	9'
CDC-42/12/42	42	18	2075	2611	3421	10'
CDC-48/12/18	48	42	1251	1499	1882	8'
CDC-48/12/30	48	30	1897	2337	3009	9'
CDC-48/12/42	48	24	2212	2818	3751	10'

\*TRIM REQUIRED ON MODELS EXCEEDING 35" WIDTH AND 30" HEIGHT

## JCH/A1 AS SEEN IN ADVERTISING LITERATURE



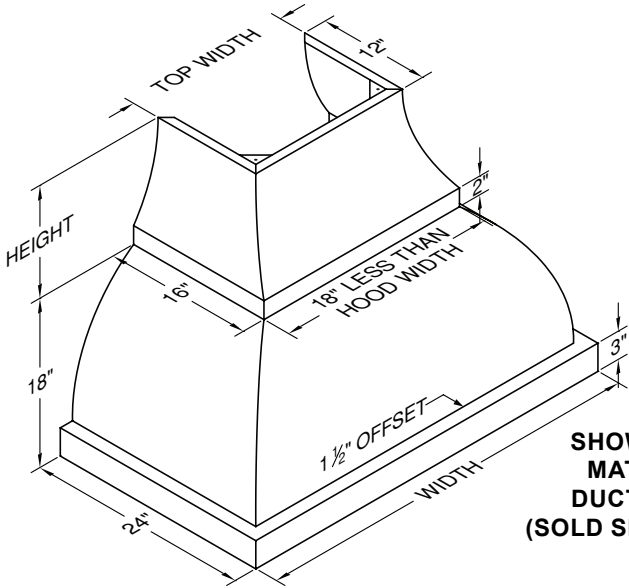
CFM	WIDTH					
	36"	42"	48"	54"	60"	66"
300 CFM	8,372.00	8,830.00	9,129.00			
600 CFM	8,781.00	9,239.00	9,538.00			
900 CFM			9,973.00	11,103.00	11,563.00	
1200 CFM				11,512.00	11,973.00	12,464.00

Pricing includes matching duct cover for 8' ceiling.  
 Priced as shown with light antiqued hammered copper and antiqued trim.



# JCHIB1 DESIGNER SERIES WALL MOUNT RANGE HOOD

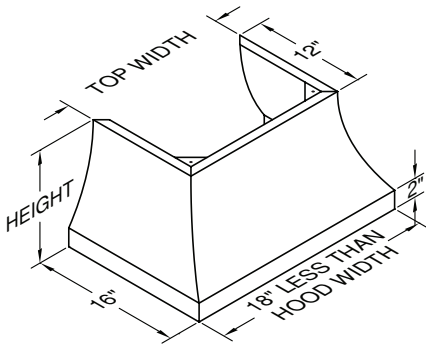
**RECOMMENDED MOUNTING HEIGHT FROM COOKING SURFACE: 30"**  
**TRANSITION INCLUDED IN HOOD**



**SHOWN WITH MATCHING DUCT COVER (SOLD SEPARATELY)**

MODEL NO.	WIDTH	TOP W.	PAINTED	STAINLESS	OVERLAY*	#LTS
<b>WITH SINGLE BLOWER (300 CFM)</b>						
JCH136/B1	36	18"	2553	3141	4124	2
JCH142/B1	42	24"	2755	3314	4445	3
JCH148/B1	48	30"	2856	3445	4607	3
<b>WITH DUAL BLOWER (600 CFM)</b>						
JCH236/B1	36	18"	2960	3588	4533	2
JCH242/B1	42	24"	3163	3761	4854	3
JCH248/B1	48	30"	3265	3892	5016	3
<b>WITH DUAL &amp; SINGLE BLOWERS (900 CFM)*</b>						
JCH348/B1	48	30"	3700	4429	5451	3
JCH354/B1	54	36"	4383	5280	6442	4
JCH360/B1	60	42"	4545	5500	6779	4
<b>WITH TWO DUAL BLOWERS (1200 CFM)+</b>						
JCH454/B1	54	36"	4791	5727	6851	4
JCH460/B1	60	42"	4953	5950	7189	4
JCH466/B1	66	48"	5148	6208	7544	4

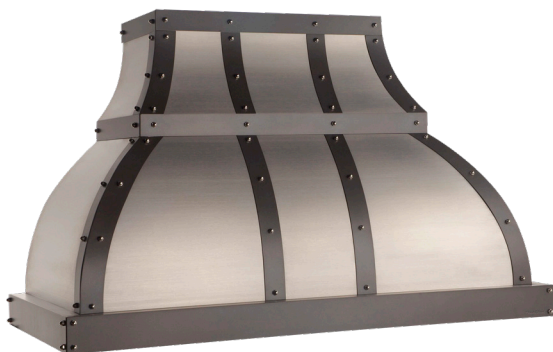
\*FOR OVERLAY HOODS, SPECIFY INTERIOR COLOR  
 \*VP562 TRANSITION TO 10" ROUND INCLUDED WITH 900 CFM MODELS  
 +VP563 TRANSITION TO 12" ROUND INCLUDED WITH 1200 CFM MODELS



MODEL NO.	WIDTH	TOP W.	PAINTED	STAINLESS	OVERLAY*	CLG.
CDC-18/12/12	18	12	975	1073	1210	8'
CDC-18/12/24	18	12	1416	1581	1829	9'
CDC-18/12/36	18	12	1526	1759	2117	10'
CDC-24/12/12	24	18	1032	1154	1347	8'
CDC-24/12/24	24	12	1512	1733	2063	9'
CDC-24/12/36	24	12	1663	1965	2447	10'
CDC-30/12/12	30	24	1086	1237	1484	8'
CDC-30/12/24	30	12	1609	1882	2295	9'
CDC-30/12/36	30	12	1800	2184	2777	10'
CDC-36/12/12	36	30	1141	1333	1623	8'
CDC-36/12/24	36	18	1705	2034	2530	9'
CDC-36/12/36	36	18	1939	2390	3106	10'
CDC-42/12/12	42	36	1196	1416	1746	8'
CDC-42/12/24	42	24	1800	2184	2777	9'
CDC-42/12/36	42	18	2075	2611	3421	10'
CDC-48/12/12	48	42	1251	1499	1882	8'
CDC-48/12/24	48	30	1897	2337	3009	9'
CDC-48/12/36	48	24	2212	2818	3751	10'

\*TRIM REQUIRED ON MODELS EXCEEDING 35" WIDTH AND 30" HEIGHT

## JCHIB1 AS SEEN IN ADVERTISING LITERATURE



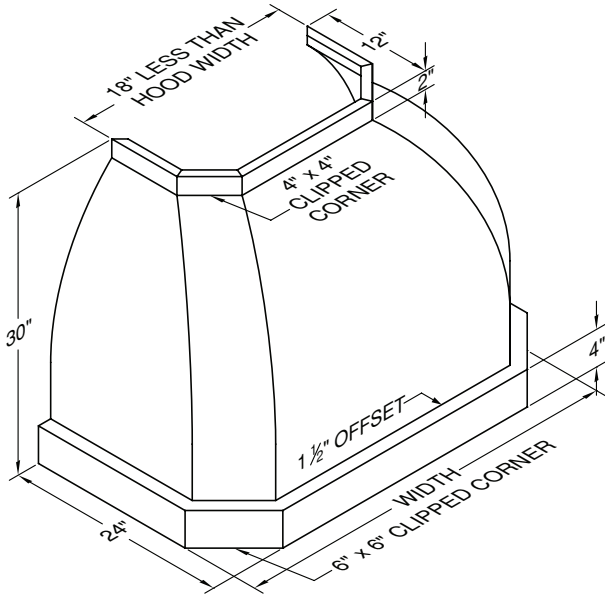
CFM	WIDTH					
	36"	42"	48"	54"	60"	66"
300 CFM	9,785.00	10,165.00	10,505.00			
600 CFM	10,232.00	10,612.00	10,952.00			
900 CFM			11,489.00	12,562.00	12,991.00	
1200 CFM				13,009.00	13,441.00	13,908.00

Pricing includes matching duct cover for 8' ceiling.  
 Priced as shown with stainless steel finish and pewter trim.



# JCHIC1 DESIGNER SERIES WALL MOUNT RANGE HOOD

**RECOMMENDED MOUNTING HEIGHT FROM COOKING SURFACE: 30"**  
**TRANSITION NOT INCLUDED**

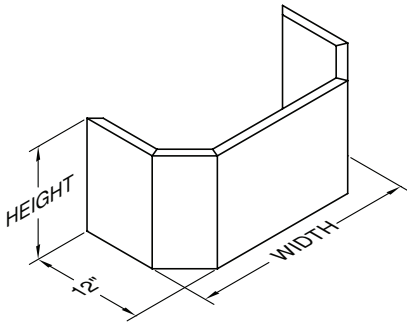


MODEL NO.	WIDTH	PAINTED	STAINLESS	OVERLAY*	#LTS
<b>WITH SINGLE BLOWER (300 CFM)</b>					
JCH136/C1	36	3623	4598	6177	2
JCH142/C1	42	3924	4942	6741	3
JCH148/C1	48	4117	5194	7154	3
<b>WITH DUAL BLOWER (600 CFM)</b>					
JCH236/C1	36	4031	5045	6587	2
JCH242/C1	42	4334	5389	7150	3
JCH248/C1	48	4524	5641	7562	3
<b>WITH DUAL &amp; SINGLE BLOWERS (900 CFM)*</b>					
JCH348/C1	48	4958	6179	7997	3
JCH354/C1	54	5554	6983	9062	4
JCH360/C1	60	5822	7381	9634	4
<b>WITH TWO DUAL BLOWERS (1200 CFM)+</b>					
JCH454/C1	54	5964	7430	9470	4
JCH460/C1	60	6230	7830	10043	4
JCH466/C1	66	6482	8182	10602	4

\*FOR OVERLAY HOODS, SPECIFY INTERIOR COLOR

**USE VP562 (OPTIONAL) ON 900 CFM MODELS TO COMBINE OUTLETS INTO A SINGLE 10" DUCT.**

**USE VP563 (OPTIONAL) ON 1200 CFM MODELS TO COMBINE OUTLETS INTO A SINGLE 12" DUCT.**



MODEL NO.	WIDTH	PAINTED	STAINLESS	OVERLAY	CLG.
WDCC4-18/12	18	934	1004	1100	9'
WDCC4-18/24	18	1044	1182	1374	10'
WDCC4-24/12	24	975	1058	1196	9'
WDCC4-24/24	24	1127	1293	1567	10'
WDCC4-30/12	30	1004	1115	1293	9'
WDCC4-30/24	30	1196	1416	1759	10'
WDCC4-36/12	36	1044	1182	1374	9'
WDCC4-36/24	36	1278	1540	1939	10'
WDCC4-42/12	42	1086	1237	1470	9'
WDCC4-42/24	42	1361	1663	2131	10'
WDCC4-48/12	48	1127	1293	1567	9'
WDCC4-48/24	48	1430	1787	2323	10'

## JCHIC1 AS SEEN IN ADVERTISING LITERATURE



CFM	WIDTH					
	36"	42"	48"	54"	60"	66"
300 CFM	5,573.00	5,958.00	6,235.00			
600 CFM	5,981.00	6,368.00	6,642.00			
900 CFM			7,076.00	7,756.00	8,108.00	
1200 CFM				8,166.00	8,516.00	8,852.00

Priced as shown with oil rubbed bronze finish and antiqued copper trim.

**USE VP562 (OPTIONAL) ON 900 CFM MODELS TO COMBINE OUTLETS INTO A SINGLE 10" DUCT.**

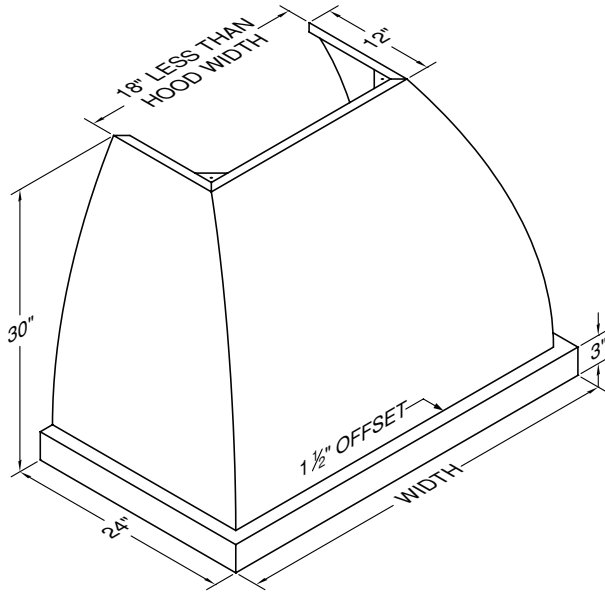
**USE VP563 (OPTIONAL) ON 1200 CFM MODELS TO COMBINE OUTLETS INTO A SINGLE 12" DUCT.**





# JCHIC2 DESIGNER SERIES WALL MOUNT RANGE HOOD

**RECOMMENDED MOUNTING HEIGHT FROM COOKING SURFACE: 30" TRANSITION NOT INCLUDED**

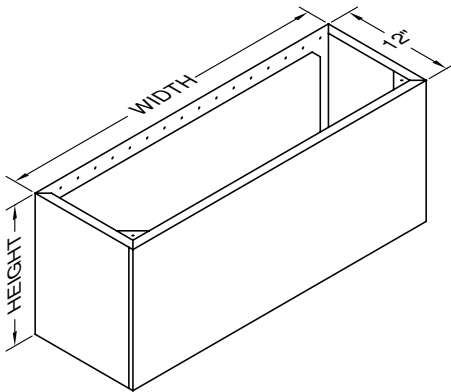


MODEL NO.	WIDTH	PAINTED	STAINLESS	OVERLAY*	#LTS
<b>WITH SINGLE BLOWER (300 CFM)</b>					
JCH136/C2	36	3479	4475	6062	2
JCH142/C2	42	3769	4812	6606	3
JCH148/C2	48	3960	5048	7019	3
<b>WITH DUAL BLOWER (600 CFM)</b>					
JCH236/C2	36	3888	4922	6472	2
JCH242/C2	42	4179	5259	7016	3
JCH248/C2	48	4368	5496	7428	3
<b>WITH DUAL &amp; SINGLE BLOWERS (900 CFM)*</b>					
JCH348/C2	48	4804	6033	7862	3
JCH354/C2	54	5529	6854	9058	4
JCH360/C2	60	5795	7384	9648	4
<b>WITH TWO DUAL BLOWERS (1200 CFM)+</b>					
JCH454/C2	54	5938	7301	9468	4
JCH460/C2	60	6204	7832	10057	4
JCH466/C2	66	6515	8251	10662	4

\*FOR OVERLAY HOODS, SPECIFY INTERIOR COLOR

**USE VP562 (OPTIONAL) ON 900 CFM MODELS TO COMBINE OUTLETS INTO A SINGLE 10" DUCT.**

**USE VP563 (OPTIONAL) ON 1200 CFM MODELS TO COMBINE OUTLETS INTO A SINGLE 12" DUCT.**



MODEL NO.	WIDTH	PAINTED	STAINLESS	OVERLAY	CLG.
WDCRND-18/12	18	539	607	701	9'
WDCRND-18/24	18	647	782	972	10'
WDCRND-24/12	24	580	662	796	9'
WDCRND-24/24	24	729	904	1159	10'
WDCRND-30/12	30	594	701	864	9'
WDCRND-30/24	30	782	985	1321	10'
WDCRND-36/12	36	634	754	956	9'
WDCRND-36/24	36	849	1106	1497	10'
WDCRND-42/12	42	675	822	1038	9'
WDCRND-42/24	42	931	1227	1672	10'
WDCRND-48/12	48	701	877	1132	9'
WDCRND-48/24	48	998	1335	1861	10'

WDCRND MODELS INCLUDE A REMOVABLE FRONT PANEL.

## JCHIC2 AS SEEN IN ADVERTISING LITERATURE



CFM	WIDTH					
	36"	42"	48"	54"	60"	66"
300 CFM	6,721.00	7,053.00	7,286.00			
600 CFM	7,130.00	7,463.00	7,694.00			
900 CFM			8,130.00	8,897.00	9,205.00	
1200 CFM				9,306.00	9,614.00	9,967.00

Priced as shown with pewter finish and silvervein trim.

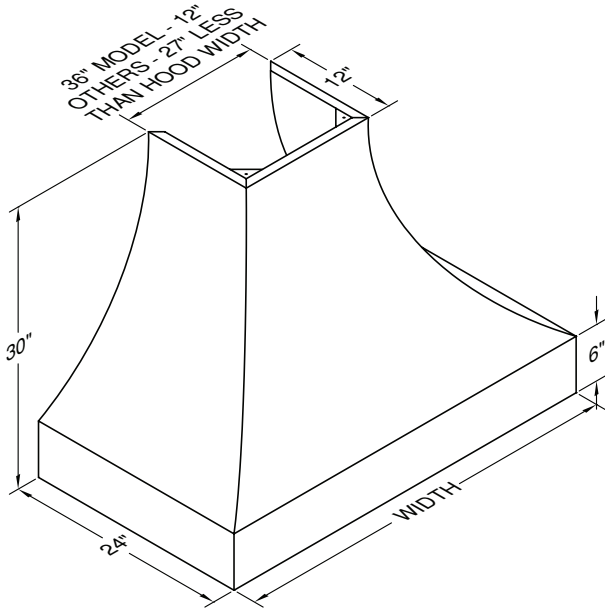
**USE VP562 (OPTIONAL) ON 900 CFM MODELS TO COMBINE OUTLETS INTO A SINGLE 10" DUCT.**

**USE VP563 (OPTIONAL) ON 1200 CFM MODELS TO COMBINE OUTLETS INTO A SINGLE 12" DUCT.**



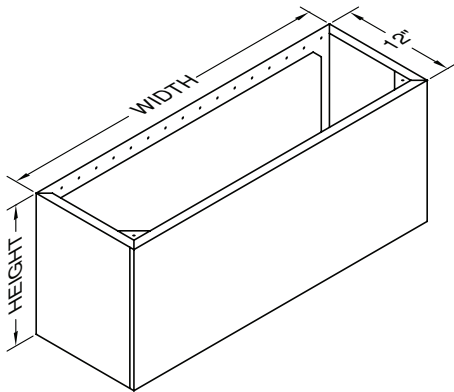
# JDHIC1 DESIGNER SERIES WALL MOUNT RANGE HOOD

**RECOMMENDED MOUNTING HEIGHT FROM COOKING SURFACE: 30"**  
**TRANSITION INCLUDED IN HOOD**



MODEL NO.	WIDTH	PAINTED	STAINLESS	OVERLAY*	#LTS
<b>WITH SINGLE BLOWER (300 CFM)</b>					
JDH136/C1	36	3479	4475	6062	2
JDH142/C1	42	3769	4812	6606	3
JDH148/C1	48	3960	5048	7019	3
<b>WITH DUAL BLOWER (600 CFM)</b>					
JDH236/C1	36	3888	4922	6472	2
JDH242/C1	42	4179	5259	7016	3
JDH248/C1	48	4368	5496	7428	3
<b>WITH DUAL &amp; SINGLE BLOWERS (900 CFM)*</b>					
JDH348/C1	48	4804	6033	7862	3
JDH354/C1	54	5529	6854	9058	4
JDH360/C1	60	5795	7384	9648	4
<b>WITH TWO DUAL BLOWERS (1200 CFM)+</b>					
JDH454/C1	54	5938	7301	9468	4
JDH460/C1	60	6204	7832	10057	4
JDH466/C1	66	6515	8251	10662	4

\*FOR OVERLAY HOODS, SPECIFY INTERIOR COLOR  
 \*VP562 TRANSITION TO 10" ROUND INCLUDED WITH 900 CFM MODELS  
 +VP563 TRANSITION TO 12" ROUND INCLUDED WITH 1200 CFM MODELS



MODEL NO.	WIDTH	PAINTED	STAINLESS	OVERLAY	CLG.
WDCRND-12/12	12	486	526	594	9'
WDCRND-12/24	12	555	647	770	10'
WDCRND-15/12	15	513	567	647	9'
WDCRND-15/24	15	607	714	890	10'
WDCRND-21/12	21	555	634	741	9'
WDCRND-21/24	21	689	836	1066	10'
WDCRND-27/12	27	594	689	836	9'
WDCRND-27/24	27	770	956	1254	10'
WDCRND-33/12	33	634	754	931	9'
WDCRND-33/24	33	836	1079	1442	10'
WDCRND-39/12	39	675	809	1024	9'
WDCRND-39/24	39	916	1187	1619	10'

WDCRND MODELS INCLUDE A REMOVABLE FRONT PANEL.

## JDHIC1 AS SEEN IN ADVERTISING LITERATURE

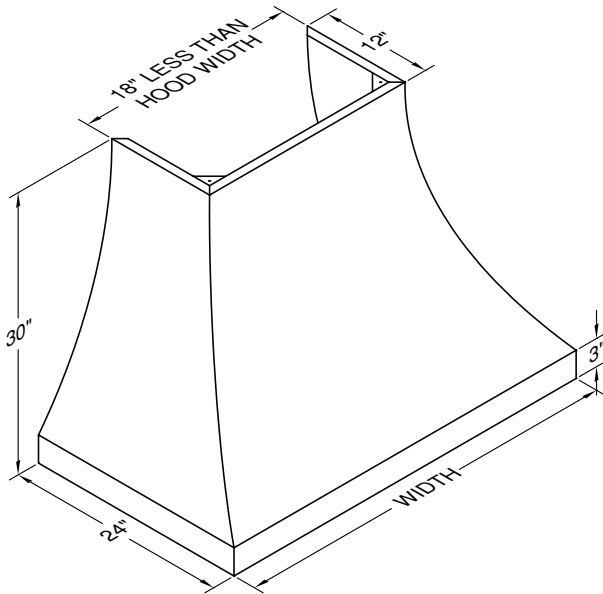


CFM	WIDTH					
	36"	42"	48"	54"	60"	66"
300 CFM	8,691.00	9,343.00	9,864.00			
600 CFM	9,101.00	9,753.00	10,273.00			
900 CFM			10,707.00	12,011.00	12,709.00	
1200 CFM				12,421.00	13,118.00	13,831.00

Priced as shown with antiqued hammered copper finish and trim.

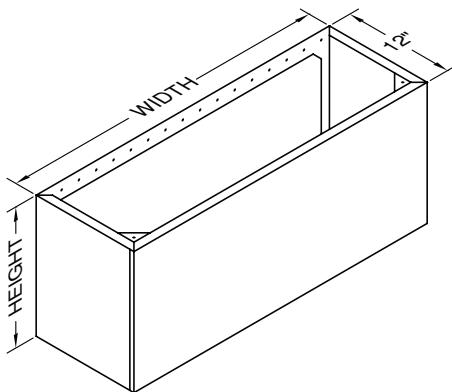
# JDHIC2 DESIGNER SERIES WALL MOUNT RANGE HOOD

**RECOMMENDED MOUNTING HEIGHT FROM COOKING SURFACE: 30"**  
**TRANSITION INCLUDED IN HOOD**



MODEL NO.	WIDTH	PAINTED	STAINLESS	OVERLAY*	#LTS
<b>WITH SINGLE BLOWER (300 CFM)</b>					
JDH136/C2	36	3479	4475	6062	2
JDH142/C2	42	3769	4812	6606	3
JDH148/C2	48	3960	5048	7019	3
<b>WITH DUAL BLOWER (600 CFM)</b>					
JDH236/C2	36	3888	4922	6472	2
JDH242/C2	42	4179	5259	7016	3
JDH248/C2	48	4368	5496	7428	3
<b>WITH DUAL &amp; SINGLE BLOWERS (900 CFM)*</b>					
JDH348/C2	48	4804	6033	7862	3
JDH354/C2	54	5529	6854	9058	4
JDH360/C2	60	5795	7384	9648	4
<b>WITH TWO DUAL BLOWERS (1200 CFM)+</b>					
JDH454/C2	54	5938	7301	9468	4
JDH460/C2	60	6204	7832	10057	4
JDH466/C2	66	6515	8251	10662	4

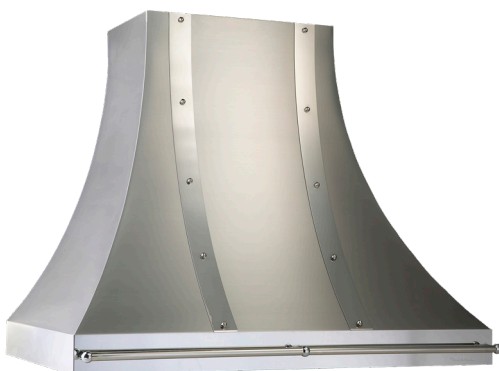
\*FOR OVERLAY HOODS, SPECIFY INTERIOR COLOR  
 \*VP562 TRANSITION TO 10" ROUND INCLUDED WITH 900 CFM MODELS  
 +VP563 TRANSITION TO 12" ROUND INCLUDED WITH 1200 CFM MODELS



MODEL NO.	WIDTH	PAINTED	STAINLESS	OVERLAY	CLG.
WDCRND-18/12	18	539	607	701	9'
WDCRND-18/24	18	647	782	972	10'
WDCRND-24/12	24	580	662	796	9'
WDCRND-24/24	24	729	904	1159	10'
WDCRND-30/12	30	594	701	864	9'
WDCRND-30/24	30	782	985	1321	10'
WDCRND-36/12	36	634	754	956	9'
WDCRND-36/24	36	849	1106	1497	10'
WDCRND-42/12	42	675	822	1038	9'
WDCRND-42/24	42	931	1227	1672	10'
WDCRND-48/12	48	701	877	1132	9'
WDCRND-48/24	48	998	1335	1861	10'

WDCRND MODELS INCLUDE A REMOVABLE FRONT PANEL.

## JDHIC2 AS SEEN IN ADVERTISING LITERATURE



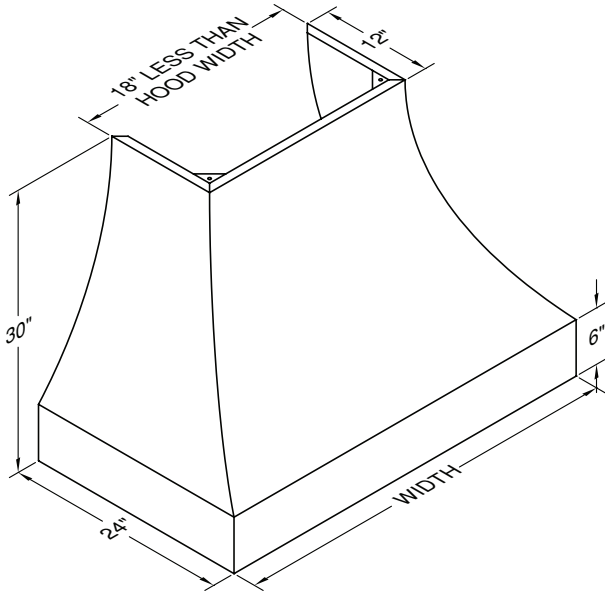
CFM	WIDTH					
	36"	42"	48"	54"	60"	66"
300 CFM	5,945.00	6,396.00	6,746.00			
600 CFM	6,392.00	6,843.00	7,194.00			
900 CFM			7,731.00	8,666.00	9,310.00	
1200 CFM				9,113.00	9,758.00	10,291.00

Priced as shown with stainless steel finish and mirror stainless trim.



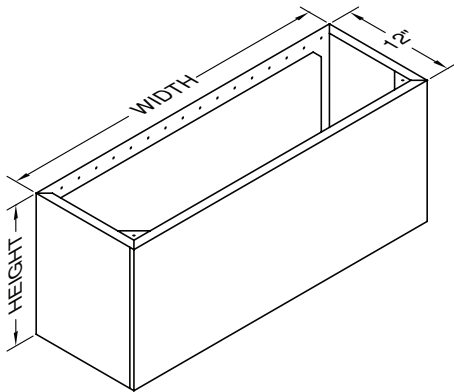
# JDHIC3 DESIGNER SERIES WALL MOUNT RANGE HOOD

**RECOMMENDED MOUNTING HEIGHT FROM COOKING SURFACE: 30"**  
**TRANSITION INCLUDED IN HOOD**



MODEL NO.	WIDTH	PAINTED	STAINLESS	OVERLAY*	#LTS
<b>WITH SINGLE BLOWER (300 CFM)</b>					
JDH136/C3	36	3479	4475	6062	2
JDH142/C3	42	3769	4812	6606	3
JDH148/C3	48	3960	5048	7019	3
<b>WITH DUAL BLOWER (600 CFM)</b>					
JDH236/C3	36	3888	4922	6472	2
JDH242/C3	42	4179	5259	7016	3
JDH248/C3	48	4368	5496	7428	3
<b>WITH DUAL &amp; SINGLE BLOWERS (900 CFM)*</b>					
JDH348/C3	48	4804	6033	7862	3
JDH354/C3	54	5529	6854	9058	4
JDH360/C3	60	5795	7384	9648	4
<b>WITH TWO DUAL BLOWERS (1200 CFM)+</b>					
JDH454/C3	54	5938	7301	9468	4
JDH460/C3	60	6204	7832	10057	4
JDH466/C3	66	6515	8251	10662	4

\*FOR OVERLAY HOODS, SPECIFY INTERIOR COLOR  
 \*VP562 TRANSITION TO 10" ROUND INCLUDED WITH 900 CFM MODELS  
 +VP563 TRANSITION TO 12" ROUND INCLUDED WITH 1200 CFM MODELS

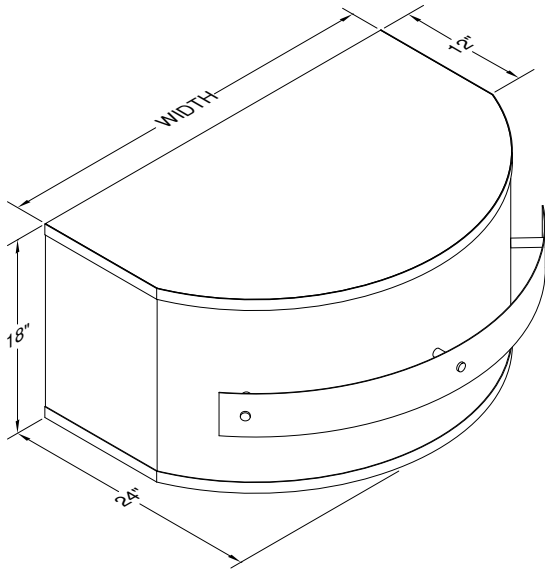


MODEL NO.	WIDTH	PAINTED	STAINLESS	OVERLAY	CLG.
WDCRND-18/12	18	539	607	701	9'
WDCRND-18/24	18	647	782	972	10'
WDCRND-24/12	24	580	662	796	9'
WDCRND-24/24	24	729	904	1159	10'
WDCRND-30/12	30	594	701	864	9'
WDCRND-30/24	30	782	985	1321	10'
WDCRND-36/12	36	634	754	956	9'
WDCRND-36/24	36	849	1106	1497	10'
WDCRND-42/12	42	675	822	1038	9'
WDCRND-42/24	42	931	1227	1672	10'
WDCRND-48/12	48	701	877	1132	9'
WDCRND-48/24	48	998	1335	1861	10'

WDCRND MODELS INCLUDE A REMOVABLE FRONT PANEL.

# JCWR18 DESIGNER SERIES WALL MOUNT RANGE HOOD

**RECOMMENDED MOUNTING HEIGHT FROM COOKING SURFACE: 30" TRANSITION NOT INCLUDED**



MODEL NO.	WIDTH	STAINLESS	#LTS
<b>WITH SINGLE BLOWER (300 CFM)</b>			
JCWR18-130	30	3061	2
JCWR18-136	36	3135	2
JCWR18-142	42	3377	3
JCWR18-148	48	3494	3
<b>WTR18- DUAL BLOWER (600 CFM)</b>			
JCWR18-230	30	3470	2
JCWR18-236	36	3544	2
JCWR18-242	42	3787	3
JCWR18-248	48	3904	3
JCWR18-254	54	4635	4
<b>WTR18- DUAL &amp; SINGLE BLOWERS (900 CFM)</b>			
JCWR18-342	42	4221	3
JCWR18-348	48	4339	3
JCWR18-354	54	5069	4
JCWR18-360	60	5511	4
<b>WTR18- TWO DUAL BLOWERS (1200 CFM)</b>			
JCWR18-448	48	4748	3
JCWR18-454	54	5478	4
JCWR18-460	60	5921	4
JCWR18-466	66	5951	4

**USE VP562 (OPTIONAL) ON 900 CFM MODELS TO COMBINE OUTLETS INTO A SINGLE 10" DUCT.**

**USE VP563 (OPTIONAL) ON 1200 CFM MODELS TO COMBINE OUTLETS INTO A SINGLE 12" DUCT.**

**CUSTOM WALL MOUNT DUCT COVERS**

	STAINLESS
WIDTH x HEIGHT x PLUS	0.88 450

ANY WDCRND SS DUCT COVER MORE THAN 43" TALL WILL HAVE A VERTICAL GRAIN DIRECTION. CUSTOM SIZES MAY BE LIMITED BY RAW MATERIAL SIZE. CONTACT FACTORY FOR FURTHER DETAILS.

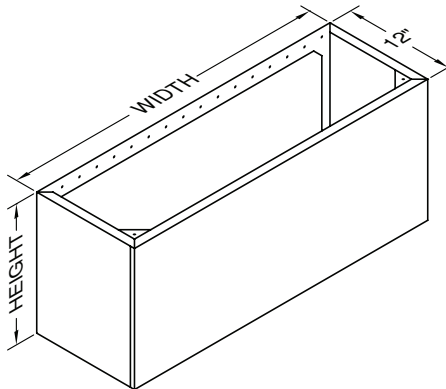
**FINISHED TOP**

	STAINLESS
WIDTH x DEPTH x PLUS	0.88 263

**SLOPED TOP ON DUCT COVER**

ADD	450
-----	-----

SPECIFY FRONT TO BACK OR LEFT TO RIGHT DIMENSIONS.



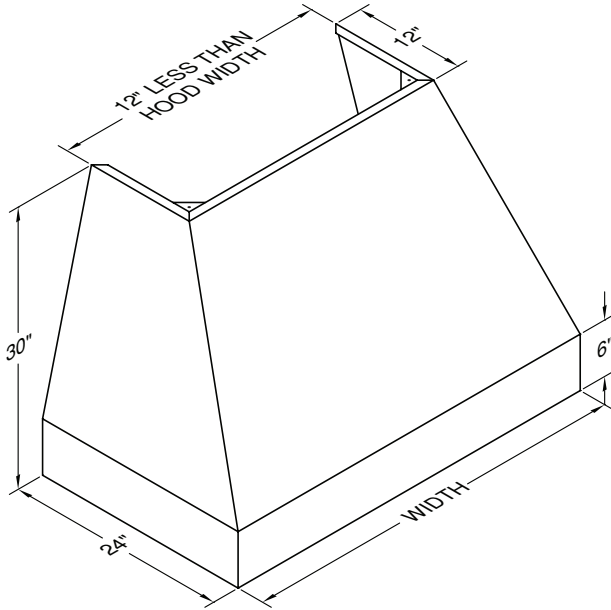
MODEL NO.	WIDTH	STAINLESS	CLG.
WDCRND-30	30	701	8'
WDCRND-30/24	30	985	9'
WDCRND-30/36	30	1281	10'
WDCRND-36	36	754	8'
WDCRND-36/24	36	1106	9'
WDCRND-36/36	36	1456	10'
WDCRND-42	42	822	8'
WDCRND-42/24	42	1227	9'
WDCRND-42/36	42	1631	10'
WDCRND-48	48	877	8'
WDCRND-48/24	48	1335	9'
WDCRND-48/36	48	1794	10'
WDCRND-54	54	931	8'
WDCRND-60	60	985	8'
WDCRND-66	66	1052	8'

WDCRND MODELS INCLUDE A REMOVABLE FRONT PANEL.



# JPHIC1 DESIGNER SERIES WALL MOUNT RANGE HOOD

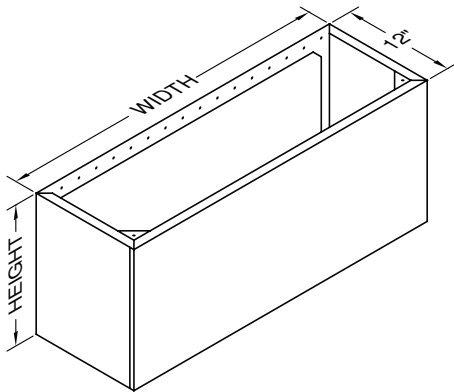
**RECOMMENDED MOUNTING HEIGHT FROM COOKING SURFACE: 30"**  
**TRANSITION NOT INCLUDED**



MODEL NO.	WIDTH	PAINTED	STAINLESS	OVERLAY*	#LTS
<b>WITH SINGLE BLOWER (300 CFM)</b>					
JPH136/C1	36	3479	4475	6062	2
JPH142/C1	42	3769	4812	6606	3
JPH148/C1	48	3960	5048	7019	3
<b>WITH DUAL BLOWER (600 CFM)</b>					
JPH236/C1	36	3888	4922	6472	2
JPH242/C1	42	4179	5259	7016	3
JPH248/C1	48	4368	5496	7428	3
<b>WITH DUAL &amp; SINGLE BLOWERS (900 CFM)*</b>					
JPH348/C1	48	4804	6033	7862	3
JPH354/C1	54	5529	6854	9058	4
JPH360/C1	60	5795	7384	9648	4
<b>WITH TWO DUAL BLOWERS (1200 CFM)+</b>					
JPH454/C1	54	5938	7301	9468	4
JPH460/C1	60	6204	7832	10057	4
JPH466/C1	66	6515	8251	10662	4

\*FOR OVERLAY HOODS, SPECIFY INTERIOR COLOR

**USE VP562 (OPTIONAL) ON 900 CFM MODELS TO COMBINE OUTLETS INTO A SINGLE 10" DUCT.**  
**USE VP563 (OPTIONAL) ON 1200 CFM MODELS TO COMBINE OUTLETS INTO A SINGLE 12" DUCT.**



MODEL NO.	WIDTH	PAINTED	STAINLESS	OVERLAY	CLG.
WDCRND-24/12	24	580	662	796	9'
WDCRND-24/24	24	729	904	1159	10'
WDCRND-30/12	30	594	701	864	9'
WDCRND-30/24	30	782	985	1321	10'
WDCRND-36/12	36	634	754	956	9'
WDCRND-36/24	36	849	1106	1497	10'
WDCRND-42/12	42	675	822	1038	9'
WDCRND-42/24	42	931	1227	1672	10'
WDCRND-48/12	48	701	877	1132	9'
WDCRND-48/24	48	998	1335	1861	10'
WDCRND-54/12	54	741	931	1227	9'
WDCRND-54/24	54	1106	1484	2077	10'

WDCRND MODELS INCLUDE A REMOVABLE FRONT PANEL.

## JPHIC1 AS SEEN IN ADVERTISING LITERATURE



CFM	WIDTH					
	36"	42"	48"	54"	60"	66"
300 CFM	5,899.00	6,273.00	6,548.00			
600 CFM	6,308.00	6,683.00	6,956.00			
900 CFM			7,392.00	8,201.00	8,551.00	
1200 CFM				8,610.00	8,960.00	9,355.00

Priced as shown with white finish and mirror stainless steel trim.

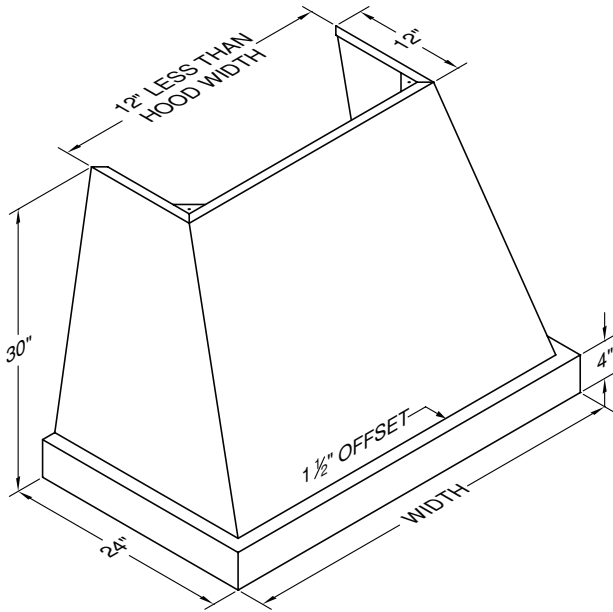
**USE VP562 (OPTIONAL) ON 900 CFM MODELS TO COMBINE OUTLETS INTO A SINGLE 10" DUCT.**  
**USE VP563 (OPTIONAL) ON 1200 CFM MODELS TO COMBINE OUTLETS INTO A SINGLE 12" DUCT.**





# JPHIC2 DESIGNER SERIES WALL MOUNT RANGE HOOD

**RECOMMENDED MOUNTING HEIGHT FROM COOKING SURFACE: 30"**  
**TRANSITION NOT INCLUDED**

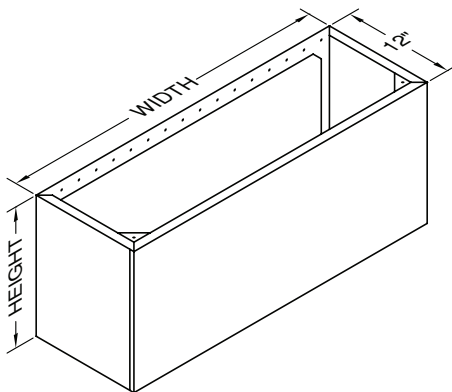


MODEL NO.	WIDTH	PAINTED	STAINLESS	OVERLAY*	#LTS
<b>WITH SINGLE BLOWER (300 CFM)</b>					
JPH136/C2	36	3479	4475	6062	2
JPH142/C2	42	3769	4812	6606	3
JPH148/C2	48	3960	5048	7019	3
<b>WITH DUAL BLOWER (600 CFM)</b>					
JPH236/C2	36	3888	4922	6472	2
JPH242/C2	42	4179	5259	7016	3
JPH248/C2	48	4368	5496	7428	3
<b>WITH DUAL &amp; SINGLE BLOWERS (900 CFM)*</b>					
JPH348/C2	48	4804	6033	7862	3
JPH354/C2	54	5529	6854	9058	4
JPH360/C2	60	5795	7384	9648	4
<b>WITH TWO DUAL BLOWERS (1200 CFM)+</b>					
JPH454/C2	54	5938	7301	9468	4
JPH460/C2	60	6204	7832	10057	4
JPH466/C2	66	6515	8251	10662	4

\*FOR OVERLAY HOODS, SPECIFY INTERIOR COLOR

**USE VP562 (OPTIONAL) ON 900 CFM MODELS TO COMBINE OUTLETS INTO A SINGLE 10" DUCT.**

**USE VP563 (OPTIONAL) ON 1200 CFM MODELS TO COMBINE OUTLETS INTO A SINGLE 12" DUCT.**



MODEL NO.	WIDTH	PAINTED	STAINLESS	OVERLAY	CLG.
WDCRND-24/12	24	580	662	796	9'
WDCRND-24/24	24	729	904	1159	10'
WDCRND-30/12	30	594	701	864	9'
WDCRND-30/24	30	782	985	1321	10'
WDCRND-36/12	36	634	754	956	9'
WDCRND-36/24	36	849	1106	1497	10'
WDCRND-42/12	42	675	822	1038	9'
WDCRND-42/24	42	931	1227	1672	10'
WDCRND-48/12	48	701	877	1132	9'
WDCRND-48/24	48	998	1335	1861	10'
WDCRND-54/12	54	741	931	1227	9'
WDCRND-54/24	54	1106	1484	2077	10'

WDCRND MODELS INCLUDE A REMOVABLE FRONT PANEL.

## JPHIC2 AS SEEN IN ADVERTISING LITERATURE



CFM	WIDTH					
	36"	42"	48"	54"	60"	66"
300 CFM	4,067.00	4,399.00	4,632.00			
600 CFM	4,476.00	4,809.00	5,040.00			
900 CFM			5,476.00	6,243.00	6,551.00	
1200 CFM				6,652.00	6,960.00	7,313.00

Priced as shown with black finish and stainless steel trim.

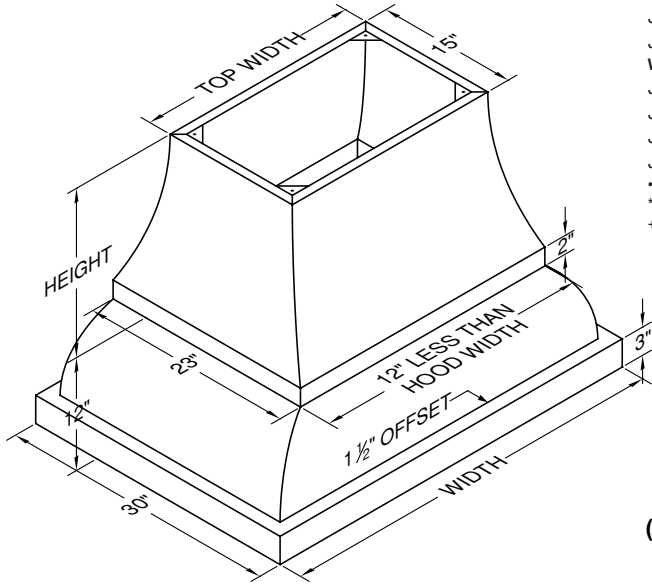
**USE VP562 (OPTIONAL) ON 900 CFM MODELS TO COMBINE OUTLETS INTO A SINGLE 10" DUCT.**

**USE VP563 (OPTIONAL) ON 1200 CFM MODELS TO COMBINE OUTLETS INTO A SINGLE 12" DUCT.**



# JCIH1A1 DESIGNER SERIES ISLAND RANGE HOOD

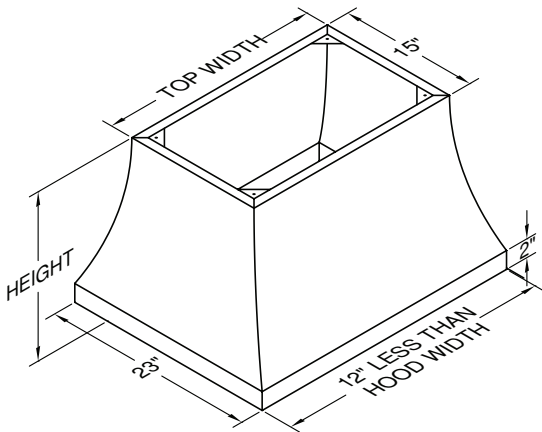
**RECOMMENDED MOUNTING HEIGHT  
FROM COOKING SURFACE: 30"  
TRANSITION INCLUDED SEPARATELY**



MODEL NO.	WIDTH	TOP W.	PAINTED	STAINLESS	OVERLAY*	#LTS
<b>WITH DUAL BLOWER (550 CFM)*</b>						
JCIH236/A1	36	24"	4151	5395	7673	4
JCIH242/A1	42	30"	4291	5656	7964	4
JCIH248/A1	48	36"	4413	5754	8179	4
JCIH254/A1	54	42"	4786	6235	8884	4
<b>WITH CLUSTER BLOWER (1100 CFM)+</b>						
JCIH448/A1	48	36"	5311	6902	9076	4
JCIH454/A1	54	42"	5683	7384	9781	4
JCIH460/A1	60	48"	6270	8178	11894	4
JCIH466/A1	66	54"	6473	8442	12293	4

\*FOR OVERLAY HOODS, SPECIFY INTERIOR COLOR  
\*VP565 TRANSITION TO 8" ROUND INCLUDED WITH DUAL BLOWER  
+VP564 TRANSITION TO 12" ROUND INCLUDED WITH CLUSTER BLOWER

**SHOWN WITH  
MATCHING  
DUCT COVER  
(SOLD SEPARATELY)**

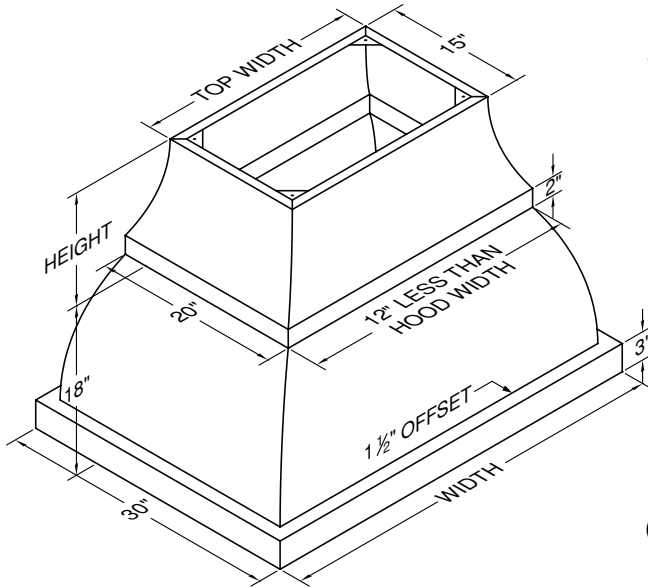


MODEL NO.	WIDTH	TOP W.	PAINTED	STAINLESS	OVERLAY*	CLG.
ICDC-24/15/18	24	18	1829	1924	2184	8'
ICDC-24/15/30	24	15	2022	2184	2624	9'
ICDC-24/15/42	24	15	2212	2447	3065	10'
ICDC-30/15/18	30	24	1897	2034	2350	8'
ICDC-30/15/30	30	18	2144	2350	2901	9'
ICDC-30/15/42	30	18	2390	2680	3449	10'
ICDC-36/15/18	36	30	1980	2131	2514	8'
ICDC-36/15/30	36	24	2267	2514	3175	9'
ICDC-36/15/42	36	18	2556	2913	3820	10'
ICDC-42/15/18	42	36	2048	2226	2680	8'
ICDC-42/15/30	42	30	2390	2680	3449	9'
ICDC-42/15/42	42	24	2720	3133	4206	10'
ICDC-48/15/18	48	42	2117	2323	2845	8'
ICDC-48/15/30	48	36	2501	2845	3710	9'
ICDC-48/15/42	48	30	2901	3368	4589	10'
ICDC-54/15/18	54	48	2184	2419	3009	8'
ICDC-54/15/30	54	42	2624	3009	3986	9'
ICDC-54/15/42	54	36	3065	3600	4961	10'

\*TRIM REQUIRED ON MODELS EXCEEDING 35" WIDTH AND 30" HEIGHT

# JCIH1B1 DESIGNER SERIES ISLAND RANGE HOOD

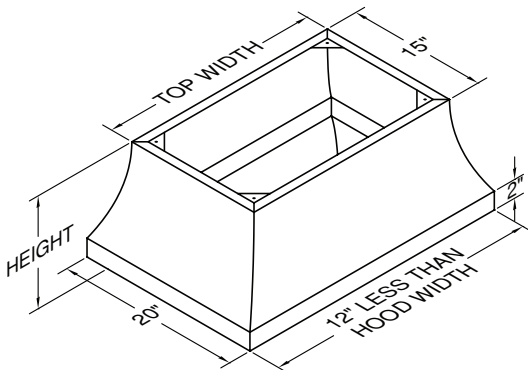
**RECOMMENDED MOUNTING HEIGHT  
FROM COOKING SURFACE: 30"**  
**TRANSITION INCLUDED SEPARATELY**



MODEL NO.	WIDTH	TOP W.	PAINTED	STAINLESS	OVERLAY*	#LTS
<b>WITH DUAL BLOWER (550 CFM)*</b>						
JCIH236/B1	36	24"	4151	5395	7673	4
JCIH242/B1	42	30"	4291	5656	7964	4
JCIH248/B1	48	36"	4413	5754	8179	4
JCIH254/B1	54	42"	4786	6235	8884	4
<b>WITH CLUSTER BLOWER (1100 CFM)+</b>						
JCIH448/B1	48	36"	5311	6902	9076	4
JCIH454/B1	54	42"	5683	7384	9781	4
JCIH460/B1	60	48"	6270	8178	11894	4
JCIH466/B1	66	54"	6473	8442	12293	4

\*FOR OVERLAY HOODS, SPECIFY INTERIOR COLOR  
\*VP565 TRANSITION TO 8" ROUND INCLUDED WITH DUAL BLOWER  
+VP564 TRANSITION TO 12" ROUND INCLUDED WITH CLUSTER BLOWER

**SHOWN WITH  
MATCHING  
DUCT COVER  
(SOLD SEPARATELY)**



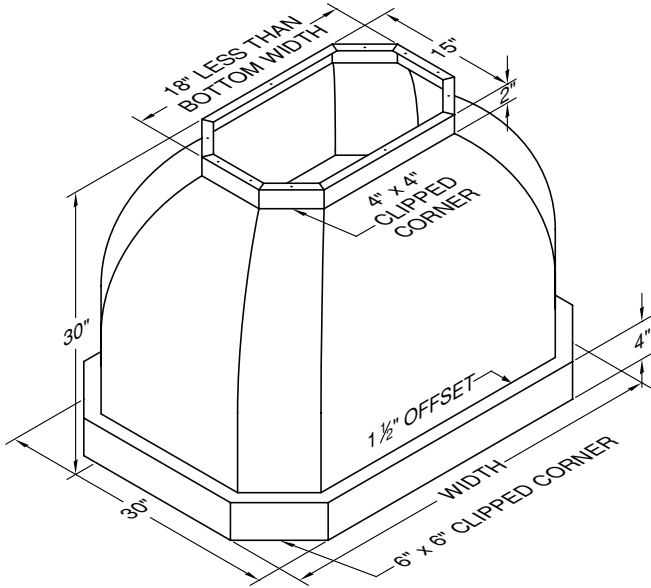
MODEL NO.	WIDTH	TOP W.	PAINTED	STAINLESS	OVERLAY*	CLG.
ICDC-24/15/12	24	18	1829	1924	2184	8'
ICDC-24/15/24	24	18	2022	2184	2624	9'
ICDC-24/15/36	24	15	2212	2447	3065	10'
ICDC-30/15/12	30	24	1897	2034	2350	8'
ICDC-30/15/24	30	18	2144	2350	2901	9'
ICDC-30/15/36	30	18	2390	2680	3449	10'
ICDC-36/15/12	36	30	1980	2131	2514	8'
ICDC-36/15/24	36	24	2267	2514	3175	9'
ICDC-36/15/36	36	18	2556	2913	3820	10'
ICDC-42/15/12	42	36	2048	2226	2680	8'
ICDC-42/15/24	42	30	2390	2680	3449	9'
ICDC-42/15/36	42	24	2720	3133	4206	10'
ICDC-48/15/12	48	42	2117	2323	2845	8'
ICDC-48/15/24	48	36	2501	2845	3710	9'
ICDC-48/15/36	48	30	2901	3368	4589	10'
ICDC-54/15/12	54	48	2184	2419	3009	8'
ICDC-54/15/24	54	42	2624	3009	3986	9'
ICDC-54/15/36	54	36	3065	3600	4961	10'

\*TRIM REQUIRED ON MODELS EXCEEDING 35" WIDTH AND 30" HEIGHT



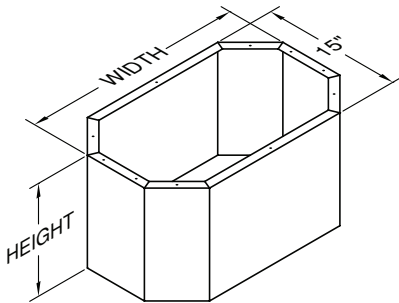
# JCIH1C1 DESIGNER SERIES ISLAND RANGE HOOD

**RECOMMENDED MOUNTING HEIGHT  
FROM COOKING SURFACE: 30"**  
**TRANSITION INCLUDED SEPARATELY**



MODEL NO.	WIDTH	PAINTED	STAINLESS	OVERLAY*	#LTS
<b>WITH DUAL BLOWER (550 CFM)*</b>					
JCIH236/C1	36	5719	7238	9500	4
JCIH242/C1	42	5966	7597	9976	4
JCIH248/C1	48	6167	7890	10053	4
JCIH254/C1	54	6599	8496	11220	4
<b>WITH CLUSTER BLOWER (1100 CFM)+</b>					
JCIH448/C1	48	7063	9039	10951	4
JCIH454/C1	54	7496	9645	12117	4
JCIH460/C1	60	8052	10438	14144	4
JCIH466/C1	66	8347	10842	14711	4

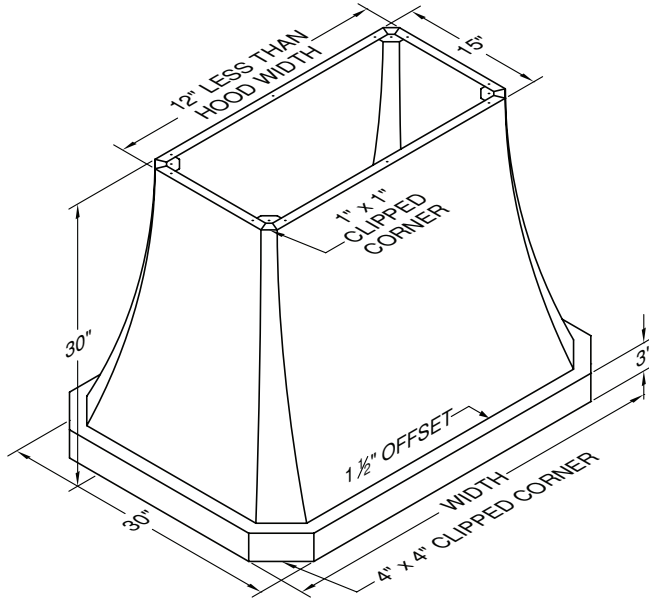
\*FOR OVERLAY HOODS, SPECIFY INTERIOR COLOR  
\*VP565 TRANSITION TO 8" ROUND INCLUDED WITH DUAL BLOWER  
+VP564 TRANSITION TO 12" ROUND INCLUDED WITH CLUSTER BLOWER



MODEL NO.	WIDTH	PAINTED	STAINLESS	OVERLAY	CLG.
IDCC4-18/12	18	1374	1430	1552	9'
IDCC4-18/24	18	1526	1623	1882	10'
IDCC4-24/12	24	1430	1484	1663	9'
IDCC4-24/24	24	1623	1746	2102	10'
IDCC4-30/12	30	1470	1552	1773	9'
IDCC4-30/24	30	1718	1882	2323	10'
IDCC4-36/12	36	1526	1623	1882	9'
IDCC4-36/24	36	1815	2006	2530	10'
IDCC4-42/12	42	1567	1691	1992	9'
IDCC4-42/24	42	1911	2144	2749	10'
IDCC4-48/12	48	1623	1746	2102	9'
IDCC4-48/24	48	2006	2267	2969	10'

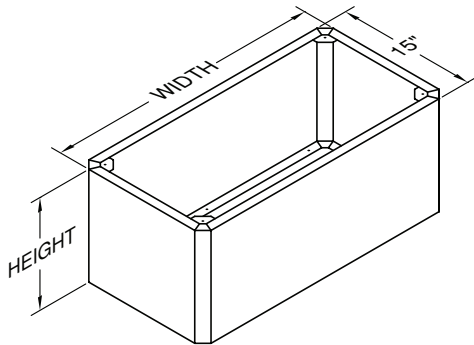
# JDIH1C1 DESIGNER SERIES ISLAND RANGE HOOD

**RECOMMENDED MOUNTING HEIGHT  
FROM COOKING SURFACE: 30"**  
**TRANSITION INCLUDED SEPARATELY**



MODEL NO.	WIDTH	PAINTED	STAINLESS	OVERLAY*	#LTS
<b>WITH DUAL BLOWER (550 CFM)*</b>					
JDIH236/C1	36	5719	7238	9500	4
JDIH242/C1	42	5966	7597	9976	4
JDIH248/C1	48	6167	7890	10053	4
JDIH254/C1	54	6599	8496	11220	4
<b>WITH TWO DUAL BLOWERS (1100 CFM)+</b>					
JDIH448/C1	48	7063	9039	10951	4
JDIH454/C1	54	7496	9645	12117	4
JDIH460/C1	60	8052	10438	14144	4
JDIH466/C1	66	8347	10842	14711	4

\*FOR OVERLAY HOODS, SPECIFY INTERIOR COLOR  
\*VP565 TRANSITION TO 8" ROUND INCLUDED WITH DUAL BLOWER  
+VP564 TRANSITION TO 12" ROUND INCLUDED WITH CLUSTER BLOWER

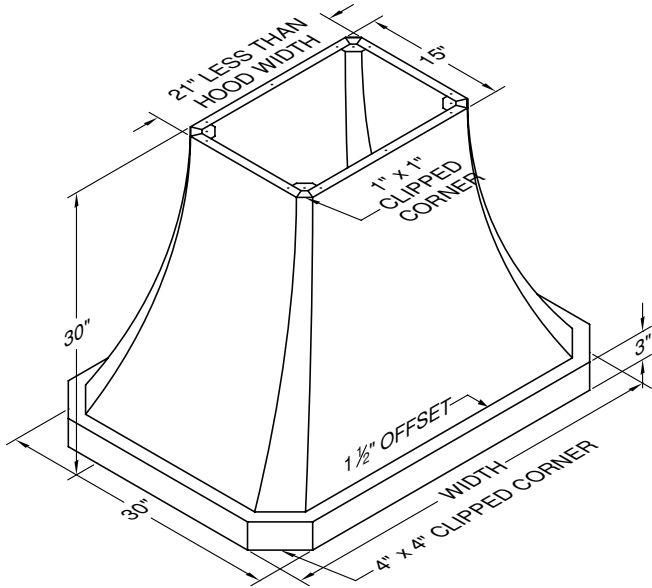


MODEL NO.	WIDTH	PAINTED	STAINLESS	OVERLAY	CLG.
IDCC1-24/12	24	1430	1484	1663	9'
IDCC1-24/24	24	1623	1746	2102	10'
IDCC1-30/12	30	1470	1552	1773	9'
IDCC1-30/24	30	1718	1882	2323	10'
IDCC1-36/12	36	1526	1623	1882	9'
IDCC1-36/24	36	1815	2006	2530	10'
IDCC1-42/12	42	1567	1691	1992	9'
IDCC1-42/24	42	1911	2144	2749	10'
IDCC1-48/12	48	1623	1746	2102	9'
IDCC1-48/24	48	2006	2267	2969	10'
IDCC1-54/12	54	1663	1815	2212	9'
IDCC1-54/24	54	2102	2405	3189	10'



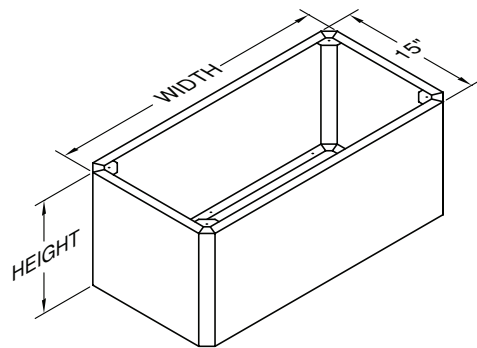
# JDIHC2 DESIGNER SERIES ISLAND RANGE HOOD

**RECOMMENDED MOUNTING HEIGHT FROM COOKING SURFACE: 30"**  
**TRANSITION INCLUDED SEPARATELY**



MODEL NO.	WIDTH	PAINTED	STAINLESS	OVERLAY*	#LTS
<b>WITH DUAL BLOWER (550 CFM)*</b>					
JDIH236/C2	36	5719	7238	9500	4
JDIH242/C2	42	5966	7597	9976	4
JDIH248/C2	48	6167	7890	10053	4
JDIH254/C2	54	6599	8496	11220	4
<b>WITH TWO DUAL BLOWERS (1100 CFM)+</b>					
JDIH448/C2	48	7063	9039	10951	4
JDIH454/C2	54	7496	9645	12117	4
JDIH460/C2	60	8052	10438	14144	4
JDIH466/C2	66	8347	10842	14711	4

\*FOR OVERLAY HOODS, SPECIFY INTERIOR COLOR  
 \*VP565 TRANSITION TO 8" ROUND INCLUDED WITH DUAL BLOWER  
 +VP564 TRANSITION TO 12" ROUND INCLUDED WITH CLUSTER BLOWER



MODEL NO.	WIDTH	PAINTED	STAINLESS	OVERLAY	CLG.
IDCC1-15/12	15	1347	1388	1499	9'
IDCC1-15/24	15	1470	1552	1773	10'
IDCC1-21/12	21	1403	1457	1609	9'
IDCC1-21/24	21	1567	1691	1992	10'
IDCC1-27/12	27	1443	1526	1718	9'
IDCC1-27/24	27	1663	1815	2212	10'
IDCC1-33/12	33	1499	1581	1829	9'
IDCC1-33/24	33	1759	1952	2419	10'
IDCC1-39/12	39	1540	1650	1939	9'
IDCC1-39/24	39	1856	2075	2639	10'
IDCC1-45/12	45	1593	1718	2048	9'
IDCC1-45/24	45	1952	2212	2860	10'

## JDIHC2 AS SEEN IN ADVERTISING LITERATURE



CFM	WIDTH					
	36"	42"	48"	54"	60"	66"
550 CFM	12,201.00	12,821.00	13,042.00	14,353.00		
1100 CFM			13,940.00	15,250.00	17,421.00	18,132.00

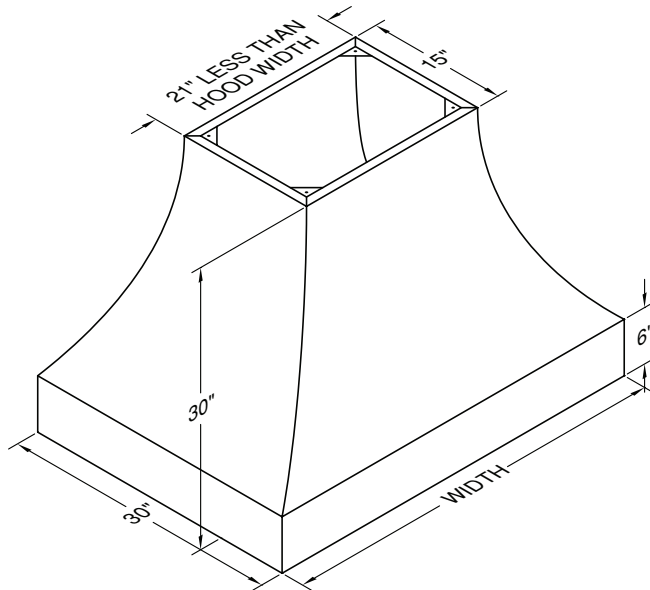
Priced as shown with antiqued hammered copper finish and copper rail.





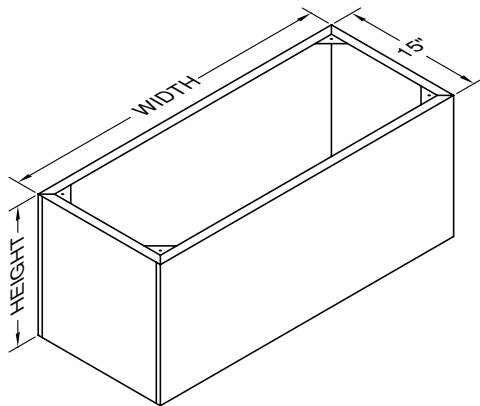
# JDIHIC3 DESIGNER SERIES ISLAND RANGE HOOD

**RECOMMENDED MOUNTING HEIGHT FROM COOKING SURFACE: 30"**  
**TRANSITION INCLUDED SEPARATELY**



MODEL NO.	WIDTH	PAINTED	STAINLESS	OVERLAY*	#LTS
<b>WITH DUAL BLOWER (550 CFM)*</b>					
JDIH236/C3	36	5719	7238	9500	4
JDIH242/C3	42	5966	7597	9976	4
JDIH248/C3	48	6167	7890	10053	4
JDIH254/C3	54	6599	8496	11220	4
<b>WITH TWO DUAL BLOWERS (1100 CFM)+</b>					
JDIH448/C3	48	7063	9039	10951	4
JDIH454/C3	54	7496	9645	12117	4
JDIH460/C3	60	8052	10438	14144	4
JDIH466/C3	66	8347	10842	14711	4

\*FOR OVERLAY HOODS, SPECIFY INTERIOR COLOR  
 \*VP565 TRANSITION TO 8" ROUND INCLUDED WITH DUAL BLOWER  
 +VP564 TRANSITION TO 12" ROUND INCLUDED WITH CLUSTER BLOWER



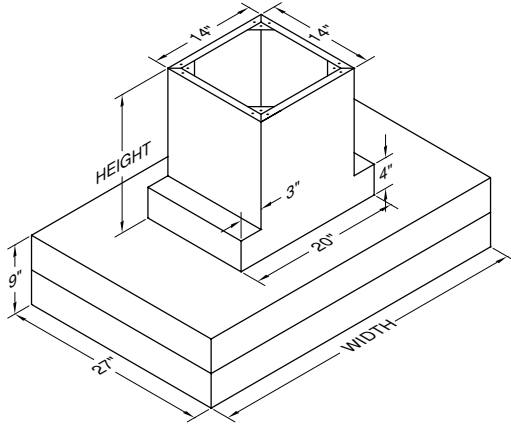
MODEL NO.	WIDTH	PAINTED	STAINLESS	OVERLAY	CLG.
IDCRND-15/12	15	536	578	688	9'
IDCRND-15/24	15	660	743	962	10'
IDCRND-21/12	21	596	656	806	9'
IDCRND-21/24	21	766	885	1188	10
IDCRND-27/12	27	643	721	917	9'
IDCRND-27/24	27	863	1017	1406	10
IDCRND-33/12	33	692	788	1026	9'
IDCRND-33/24	33	960	1149	1624	10
IDCRND-39/12	39	742	852	1132	9'
IDCRND-39/24	39	1057	1280	1840	10
IDCRND-45/12	45	790	919	1242	9'
IDCRND-45/24	45	1154	1411	2057	10

IDCRND MODELS INCLUDE REMOVABLE FRONT/REAR PANELS.



# CIEH9 CONTEMPORARY ISLAND RANGE HOOD

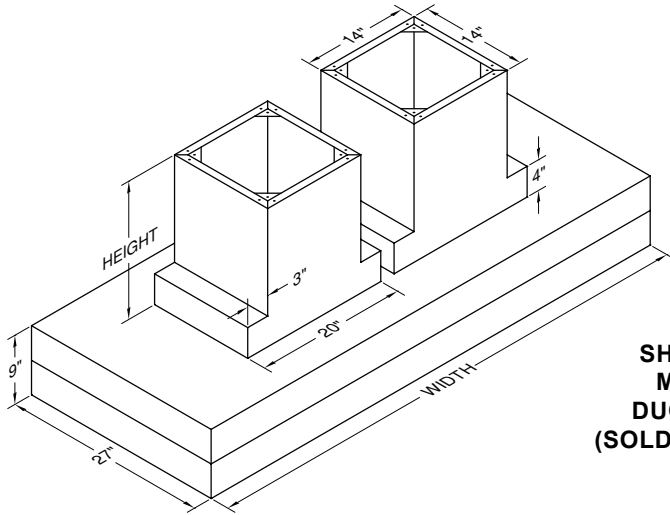
**RECOMMENDED MOUNTING HEIGHT FROM COOKING SURFACE: 30"**  
**TRANSITION(S) INCLUDED SEPARATELY**



**SHOWN WITH MATCHING DUCT COVER (SOLD SEPARATELY)**

MODEL NO.	WIDTH	PAINTED	STAINLESS	#LTS
<b>WITH DUAL BLOWER (550 CFM)*</b>				
CIEH9-236	36	3804	4823	4
CIEH9-242	42	3833	4999	4
CIEH9-248	48	4039	5279	4
CIEH9-254	54	4375	5709	4

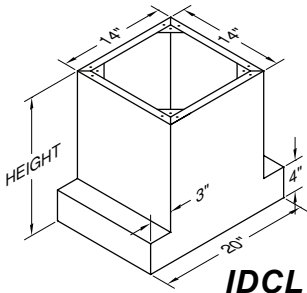
\*VP565 TRANSITION TO 8" ROUND INCLUDED WITH DUAL BLOWER



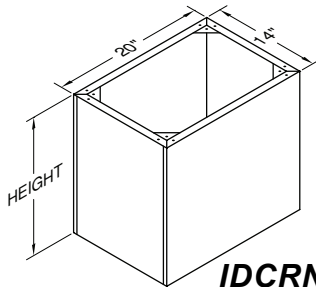
**SHOWN WITH MATCHING DUCT COVERS (SOLD SEPARATELY)**

MODEL NO.	WIDTH	PAINTED	STAINLESS	#LTS
<b>WITH TWO DUAL BLOWERS (1100 CFM)+</b>				
CIEH9-2+260	60	5858	7616	6
CIEH9-2+266	66	6037	7870	6

+VP565 TRANSITION TO 8" ROUND INCLUDED WITH EACH DUAL BLOWER



**IDCL**



**IDCRND**

MODEL NO.	WIDTH	PAINTED	STAINLESS	CLG.
IDCL-14/20/9	20	536	578	7'
IDCL-14/20/21	20	702	797	8'
IDCL-14/20/33	20	866	1004	9'

MODEL NO.	WIDTH	PAINTED	STAINLESS	CLG.
IDCRND-14/20/9	20	536	578	7'
IDCRND-14/20/21	20	702	797	8'
IDCRND-14/20/33	20	866	1004	9'
IDCRND-14/20/45	20	1017	1112	10'

IDCRND MODELS INCLUDE REMOVABLE FRONT/REAR PANELS.

**CUSTOM ISLAND DUCT COVERS**

	PAINTED	STAINLESS
WIDTH x HEIGHT x PLUS	0.72	0.97
		450

ANY IDCL SS DUCT COVER MORE THAN 43" TALL WILL HAVE A VERTICAL GRAIN DIRECTION. CUSTOM SIZES MAY BE LIMITED BY RAW MATERIAL SIZE. CONTACT FACTORY FOR FURTHER DETAILS.  
 ANY IDCRND SS DUCT COVER MORE THAN 45" TALL WILL HAVE A VERTICAL GRAIN DIRECTION. CUSTOM SIZES MAY BE LIMITED BY RAW MATERIAL SIZE. CONTACT FACTORY FOR FURTHER DETAILS.

**REMOVABLE PANEL**

IDCL ONLY, SPECIFY SIDE	
ADD	263

**SLOPED TOP ON DUCT COVER**

ADD	450
-----	-----

SPECIFY FRONT TO BACK OR LEFT TO RIGHT DIMENSIONS.

**CIEH9 CONTEMPORARY ISLAND HOOD VARIATIONS**

**WIDTHS OVER 66"**

FOR EACH 6" SEGMENT PLUS

PAINTED	232	STAINLESS	305
	263		

**SPECIAL WIDTH (LESS THAN 66")**

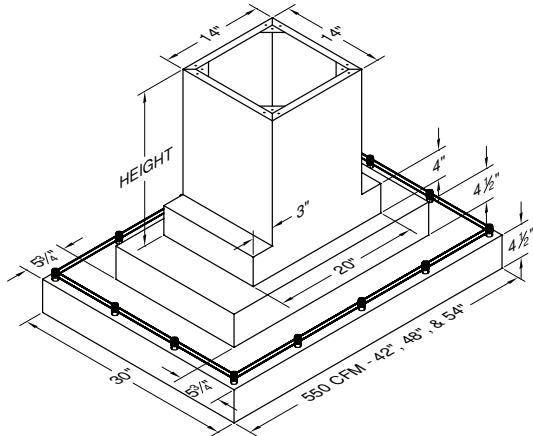
USE NEXT LARGEST SIZE ON PRICE LIST PLUS

263



# CILH9 CONTEMPORARY ISLAND RANGE HOOD

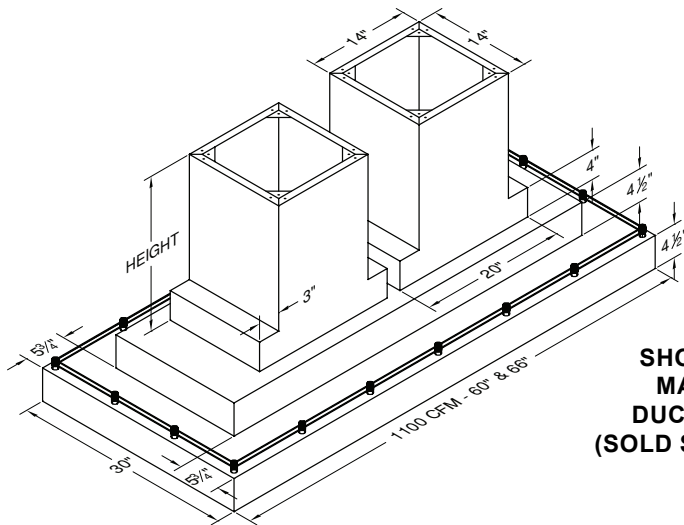
**RECOMMENDED MOUNTING HEIGHT FROM COOKING SURFACE: 30"**  
**TRANSITION(S) INCLUDED SEPARATELY**



**SHOWN WITH MATCHING DUCT COVER (SOLD SEPARATELY)**

MODEL NO.	WIDTH	PAINTED	STAINLESS	#LTS
<b>WITH DUAL BLOWER (550 CFM)*</b>				
CILH9-242	42	3833	4999	4
CILH9-248	48	4039	5279	4
CILH9-254	54	4375	5721	4

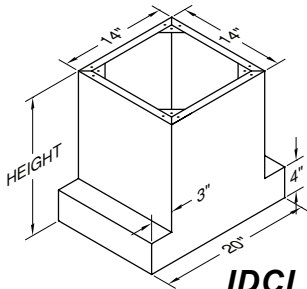
\*VP565 TRANSITION TO 8" ROUND INCLUDED WITH DUAL BLOWER



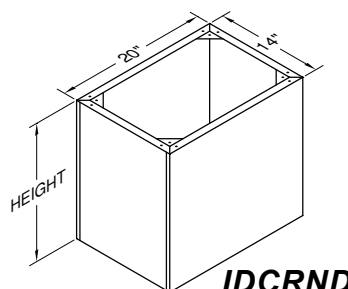
**SHOWN WITH MATCHING DUCT COVERS (SOLD SEPARATELY)**

MODEL NO.	WIDTH	PAINTED	STAINLESS	#LTS
<b>WITH TWO DUAL BLOWERS (1100 CFM)+</b>				
CILH9-2+260	60	5992	7616	6
CILH9-2+266	66	6037	7870	6

+VP565 TRANSITION TO 8" ROUND INCLUDED WITH EACH DUAL BLOWER



**IDCL**



**IDCRND**

MODEL NO.	WIDTH	PAINTED	STAINLESS	CLG.
IDCL-14/20/9	20	536	578	7'
IDCL-14/20/21	20	702	797	8'
IDCL-14/20/33	20	866	1004	9'

MODEL NO.	WIDTH	PAINTED	STAINLESS	CLG.
IDCRND-14/20/9	20	536	578	7'
IDCRND-14/20/21	20	702	797	8'
IDCRND-14/20/33	20	866	1004	9'
IDCRND-14/20/45	20	1017	1112	10'

IDCRND MODELS INCLUDE REMOVABLE FRONT/REAR PANELS.

**CUSTOM ISLAND DUCT COVERS**

	PAINTED	STAINLESS
WIDTH x HEIGHT x PLUS	0.72	0.97
		450

ANY IDCL SS DUCT COVER MORE THAN 43" TALL WILL HAVE A VERTICAL GRAIN DIRECTION. CUSTOM SIZES MAY BE LIMITED BY RAW MATERIAL SIZE. CONTACT FACTORY FOR FURTHER DETAILS.  
 ANY IDCRND SS DUCT COVER MORE THAN 45" TALL WILL HAVE A VERTICAL GRAIN DIRECTION. CUSTOM SIZES MAY BE LIMITED BY RAW MATERIAL SIZE. CONTACT FACTORY FOR FURTHER DETAILS.

**REMOVABLE PANEL**

IDCL ONLY, SPECIFY SIDE	
ADD	263

**SLOPED TOP ON DUCT COVER**

ADD	450
-----	-----

SPECIFY FRONT TO BACK OR LEFT TO RIGHT DIMENSIONS.

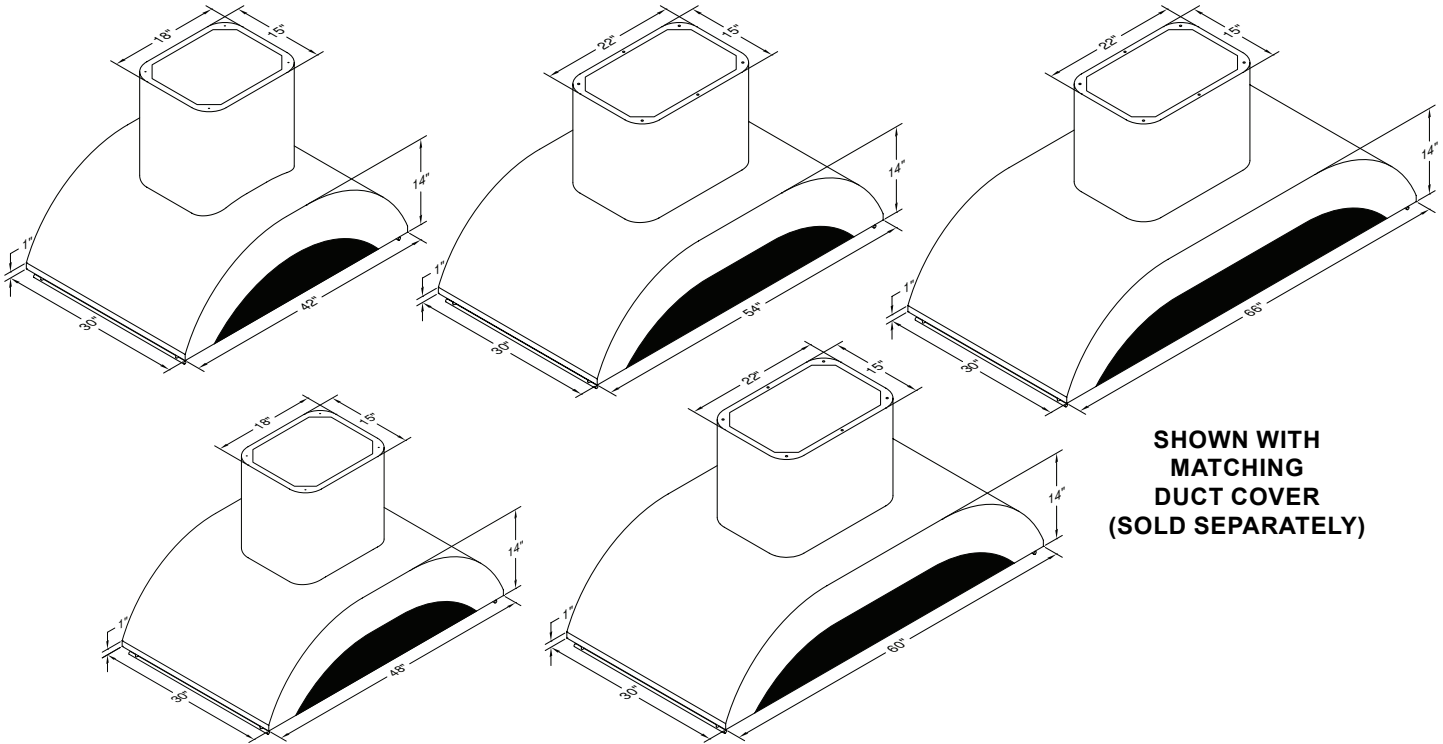
**CILH9 CONTEMPORARY ISLAND HOOD VARIATIONS**

WIDTHS OVER 66"	PAINTED	STAINLESS	SPECIAL WIDTH (LESS THAN 66")
FOR EACH 6" SEGMENT PLUS	232	305	USE NEXT LARGEST SIZE ON PRICE LIST PLUS 263
		263	REMOVE GALLEY RAIL TO REMOVE RAIL, NO CHARGE



# IZTH CONTEMPORARY ISLAND RANGE HOOD

**RECOMMENDED MOUNTING HEIGHT  
FROM COOKING SURFACE: 30"**  
**TRANSITION INCLUDED SEPARATELY**

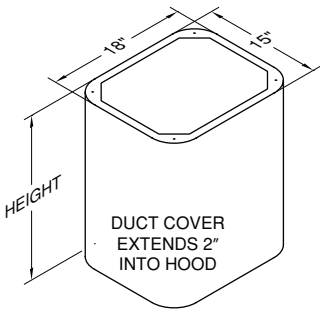


**SHOWN WITH  
MATCHING  
DUCT COVER  
(SOLD SEPARATELY)**

IZTH VARIATIONS	
REMOVE FIXED LENGTH SS RAIL	
ADD	450

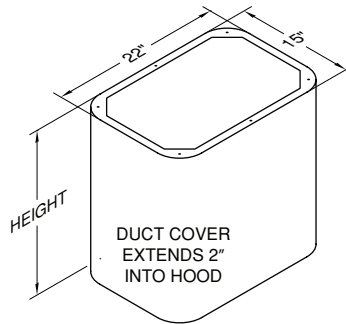
MODEL NO.	WIDTH	STAINLESS	#LTS
<b>WITH DUAL BLOWER (550 CFM)*</b>			
IZTH-242	42	6033	4
IZTH-248	48	6164	4
<b>WITH CLUSTER BLOWER (1100 CFM)+</b>			
IZTH-454	54	8004	4
IZTH-460	60	8619	4
IZTH-466	66	8916	4

\*VP565 TRANSITION TO 8" ROUND INCLUDED WITH DUAL BLOWER  
+VP564 TRANSITION TO 12" ROUND INCLUDED WITH CLUSTER BLOWER



(FOR 42" AND 48" MODELS)

MODEL NO.	WIDTH	STAINLESS	CLG.
IZDC-18/6	18	523	7'
IZDC-18/18	18	714	8'
IZDC-18/30	18	908	9'



(FOR 54", 60" & 66" MODELS)

MODEL NO.	WIDTH	STAINLESS	CLG.
IZDC-22/6	22	536	7'
IZDC-22/18	22	769	8'
IZDC-22/30	22	1004	9'

### CUSTOM ISLAND DUCT COVERS

WIDTH x HEIGHT x PLUS	STAINLESS
42" x 14" x 2"	0.97
48" x 14" x 2"	450

NOTE: DUCT COVER EXTENDS 2" INTO HOOD.

NOTE: WHEN PRICING CUSTOM DUCT COVERS, INCLUDE THE 2" OF DUCT COVER THAT EXTENDS INTO TOP OF HOOD.

NOTE: MAXIMUM OVERALL AVAILABLE HEIGHT IS 48"; 46" IS THE FINISHED HEIGHT ABOVE THE TOP OF THE HOOD.

NOTE: WHEN PRICING CUSTOM DUCT COVERS, INCLUDE THE 2" OF DUCT COVER THAT EXTENDS INTO TOP OF HOOD.

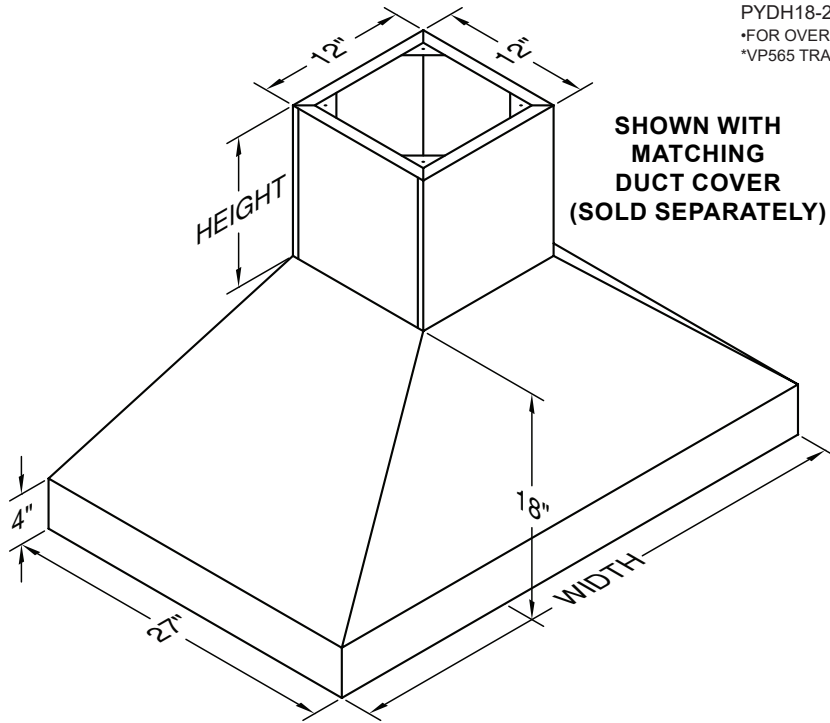
**NOTE: DUCT COVER WILL HAVE  
A VISIBLE SEAM ON ONE SIDE.**

# PYDH18 EURO-STYLE ISLAND RANGE HOOD

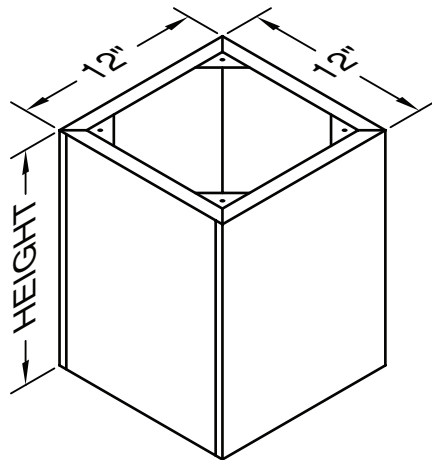
**RECOMMENDED MOUNTING HEIGHT  
FROM COOKING SURFACE: 30"  
TRANSITION INCLUDED SEPARATELY**

MODEL NO.	WIDTH	PAINTED	STAINLESS	OVERLAY*	#LTS
WITH DUAL BLOWER (550 CFM)*					
PYDH18-236	36	3701	4823	7045	4
PYDH18-242	42	3833	4999	7308	4
PYDH18-248	48	4039	5279	7513	4

\*FOR OVERLAY HOODS, SPECIFY INTERIOR COLOR  
\*VP565 TRANSITION TO 8" ROUND INCLUDED WITH DUAL BLOWER



**SHOWN WITH  
MATCHING  
DUCT COVER  
(SOLD SEPARATELY)**



MODEL NO.	WIDTH	PAINTED	STAINLESS	OVERLAY	CLG.
IDCRND-12/12	12	523	550	633	8'
IDCRND-12/24	12	619	675	852	9'
IDCRND-12/36	12	714	811	1058	10'

IDCRND MODELS INCLUDE REMOVABLE FRONT/REAR PANELS.

**CUSTOM ISLAND DUCT COVERS**

	PAINTED	STAINLESS	OVERLAY
WIDTH x HEIGHT x PLUS	0.72	0.97	1.61
		450	

ANY IDCRND SS DUCT COVER MORE THAN 45" TALL WILL HAVE A VERTICAL GRAIN DIRECTION. CUSTOM SIZES MAY BE LIMITED BY RAW MATERIAL SIZE. CONTACT FACTORY FOR FURTHER DETAILS.

**SLOPED TOP ON DUCT COVER**

ADD	450
-----	-----

SPECIFY FRONT TO BACK OR LEFT TO RIGHT DIMENSIONS.

PYDH18 EURO-STYLE ISLAND HOOD VARIATIONS				
<b>SPECIAL WIDTH (LESS THAN 48")</b> USE NEXT LARGEST SIZE ON PRICE LIST, PLUS		263		
<b>DEPTH OVER 27"</b>		PAINTED	STAINLESS	OVERLAY
WIDTH x EXTRA DEPTH x PLUS		1.44	2.35	2.89
			450	
<b>STAINLESS STEEL INTERIOR ON OVERLAY HOOD</b> SUBTRACT PAINTED PRICE OF HOOD FROM STAINLESS PRICE OF HOOD				
<b>REMOTE BLOWER OPTIONS</b> SEE PAGES 68-69 FOR REMOTE BLOWER OPTIONS				
<b>CUSTOM COLOR (SEE CUSTOM COLOR CHART)</b> ADD 822				
<b>TRIM OPTIONS</b> SEE PAGES 74-75 FOR FINISH AND TRIM OPTIONS				

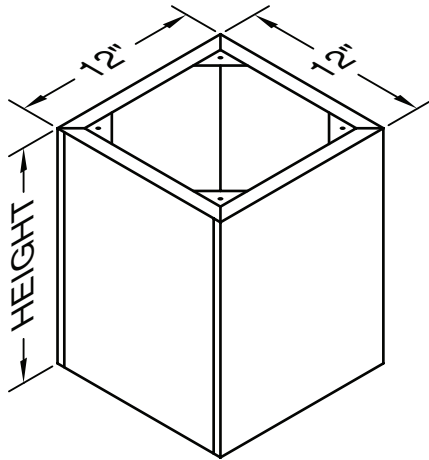
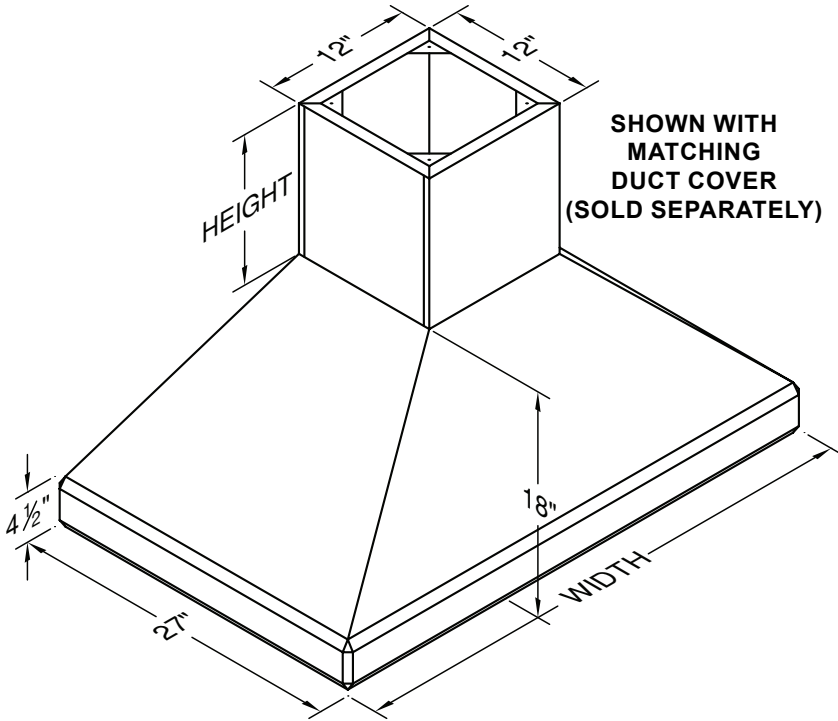


# ISDH18 EURO-STYLE ISLAND RANGE HOOD

**RECOMMENDED MOUNTING HEIGHT FROM COOKING SURFACE: 30"**  
**TRANSITION INCLUDED SEPARATELY**

MODEL NO.	WIDTH	PAINTED	STAINLESS	#LTS
WITH DUAL BLOWER (550 CFM)*				
ISDH18-236	36	4273	5427	4
ISDH18-242	42	4405	5603	4
ISDH18-248	48	4508	5736	4

\*VP565 TRANSITION TO 8" ROUND INCLUDED WITH DUAL BLOWER



MODEL NO.	WIDTH	PAINTED	STAINLESS	CLG.
IDCRND-12/12	12	523	550	8'
IDCRND-12/24	12	619	675	9'
IDCRND-12/36	12	714	811	10'

IDCRND MODELS INCLUDE REMOVABLE FRONT/REAR PANELS.

**CUSTOM ISLAND DUCT COVERS**

	PAINTED	STAINLESS
WIDTH x HEIGHT x PLUS	0.72	0.97
		450

ANY IDCRND SS DUCT COVER MORE THAN 45" TALL WILL HAVE A VERTICAL GRAIN DIRECTION. CUSTOM SIZES MAY BE LIMITED BY RAW MATERIAL SIZE. CONTACT FACTORY FOR FURTHER DETAILS.

**SLOPED TOP ON DUCT COVER**

ADD	450
-----	-----

SPECIFY FRONT TO BACK OR LEFT TO RIGHT DIMENSIONS.

**ISDH18 EURO-STYLE ISLAND HOOD VARIATIONS**

<b>SPECIAL WIDTH (LESS THAN 48")</b> USE NEXT LARGEST SIZE ON PRICE LIST, PLUS 263	<b>REMOTE BLOWER OPTIONS</b> SEE PAGES 68-69 FOR REMOTE BLOWER OPTIONS
<b>DEPTH OVER 27"</b>	<b>CUSTOM COLOR (SEE CUSTOM COLOR CHART)</b> ADD 822
WIDTH x EXTRA DEPTH x PLUS PAINTED 1.44 STAINLESS 2.35 450	<b>TRIM OPTIONS</b> SEE PAGES 74-75 FOR FINISH AND TRIM OPTIONS

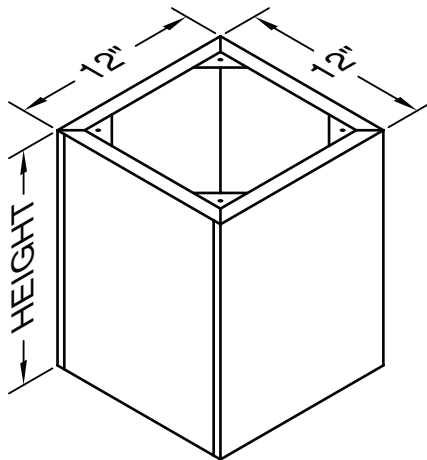
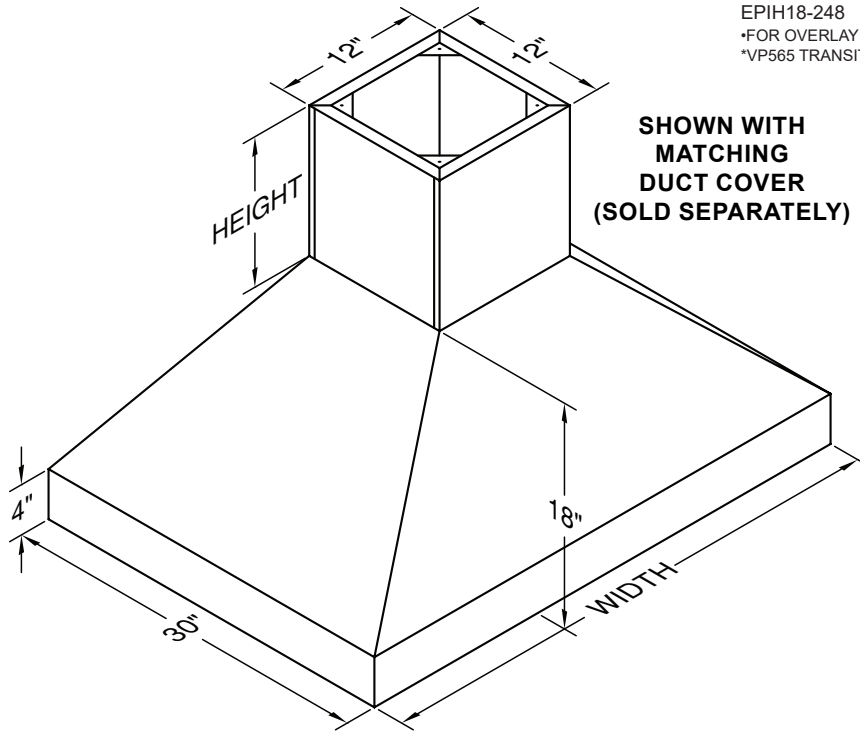


# EPIH18 EURO-STYLE ISLAND RANGE HOOD

**RECOMMENDED MOUNTING HEIGHT FROM COOKING SURFACE: 30"**  
**TRANSITION INCLUDED SEPARATELY**

MODEL NO.	WIDTH	PAINTED	STAINLESS	OVERLAY*	#LTS
WITH DUAL BLOWER (550 CFM)*					
EPIH18-236	36	3804	4823	7045	4
EPIH18-242	42	3935	4999	7308	4
EPIH18-248	48	4039	5279	7513	4

\*FOR OVERLAY HOODS, SPECIFY INTERIOR COLOR  
 \*VP565 TRANSITION TO 8" ROUND INCLUDED WITH DUAL BLOWER



MODEL NO.	WIDTH	PAINTED	STAINLESS	OVERLAY	CLG.
IDCRND-12/12	12	523	550	633	8'
IDCRND-12/24	12	619	675	852	9'
IDCRND-12/36	12	714	811	1058	10'

IDCRND MODELS INCLUDE REMOVABLE FRONT/REAR PANELS.

**CUSTOM ISLAND DUCT COVERS**

	PAINTED	STAINLESS	OVERLAY
WIDTH x HEIGHT x PLUS	0.72	0.97	1.61
		450	

ANY IDCRND SS DUCT COVER MORE THAN 45" TALL WILL HAVE A VERTICAL GRAIN DIRECTION. CUSTOM SIZES MAY BE LIMITED BY RAW MATERIAL SIZE. CONTACT FACTORY FOR FURTHER DETAILS.

**SLOPED TOP ON DUCT COVER**

ADD	450
-----	-----

SPECIFY FRONT TO BACK OR LEFT TO RIGHT DIMENSIONS.

EPIH18 EURO-STYLE ISLAND HOOD VARIATIONS				
<b>SPECIAL WIDTH (LESS THAN 48")</b> USE NEXT LARGEST SIZE ON PRICE LIST, PLUS		263		
<b>DEPTH OVER 30"</b>		PAINTED	STAINLESS	OVERLAY
WIDTH x EXTRA DEPTH x PLUS		1.44	2.35	2.89
			450	
<b>STAINLESS STEEL INTERIOR ON OVERLAY HOOD</b> SUBTRACT PAINTED PRICE OF HOOD FROM STAINLESS PRICE OF HOOD				
<b>REMOTE BLOWER OPTIONS</b> SEE PAGES 68-69 FOR REMOTE BLOWER OPTIONS				
<b>CUSTOM COLOR (SEE CUSTOM COLOR CHART)</b> ADD 822				
<b>TRIM OPTIONS</b> SEE PAGES 74-75 FOR FINISH AND TRIM OPTIONS				

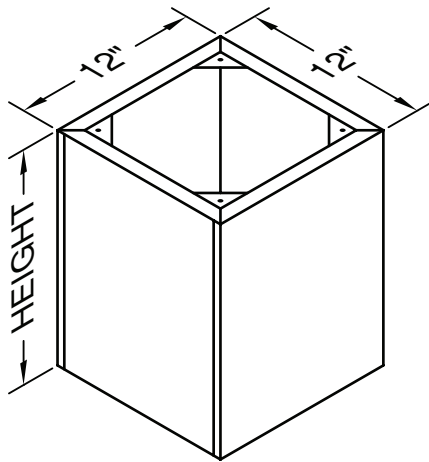
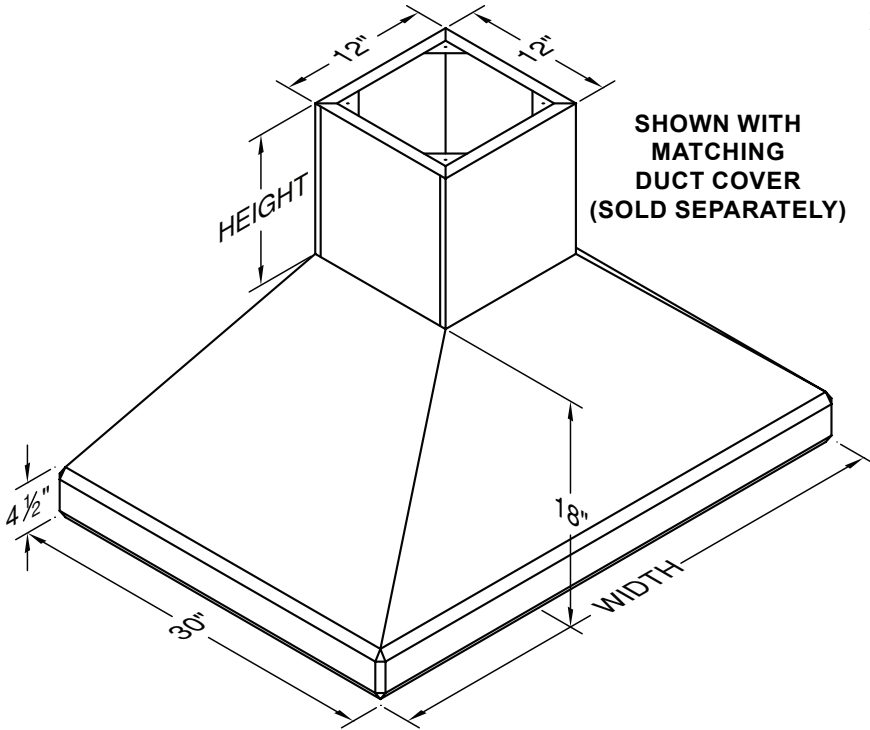


# SEPIH18 EURO-STYLE ISLAND RANGE HOOD

**RECOMMENDED MOUNTING HEIGHT  
FROM COOKING SURFACE: 30"**  
**TRANSITION INCLUDED SEPARATELY**

MODEL NO.	WIDTH	PAINTED	STAINLESS	#LTS
WITH DUAL BLOWER (550 CFM)*				
SEPIH18-236	36	4273	5109	4
SEPIH18-242	42	4405	5279	4
SEPIH18-248	48	4508	5574	4

\*VP565 TRANSITION TO 8" ROUND INCLUDED WITH DUAL BLOWER



MODEL NO.	WIDTH	PAINTED	STAINLESS	CLG.
IDCRND-12/12	12	523	550	8'
IDCRND-12/24	12	619	675	9'
IDCRND-12/36	12	714	811	10'

IDCRND MODELS INCLUDE REMOVABLE FRONT/REAR PANELS.

**CUSTOM ISLAND DUCT COVERS**

	PAINTED	STAINLESS
WIDTH x HEIGHT x PLUS	0.72	0.97
		450

ANY IDCRND SS DUCT COVER MORE THAN 45" TALL WILL HAVE A VERTICAL GRAIN DIRECTION. CUSTOM SIZES MAY BE LIMITED BY RAW MATERIAL SIZE. CONTACT FACTORY FOR FURTHER DETAILS.

**SLOPED TOP ON DUCT COVER**

ADD	450
-----	-----

SPECIFY FRONT TO BACK OR LEFT TO RIGHT DIMENSIONS.

**SEPIH18 EURO-STYLE ISLAND HOOD VARIATIONS**

<b>SPECIAL WIDTH (LESS THAN 48")</b> USE NEXT LARGEST SIZE ON PRICE LIST, PLUS 263	<b>REMOTE BLOWER OPTIONS</b> SEE PAGES 68-69 FOR REMOTE BLOWER OPTIONS
<b>DEPTH OVER 30"</b>	<b>CUSTOM COLOR (SEE CUSTOM COLOR CHART)</b> ADD 822
WIDTH x EXTRA DEPTH x PLUS	<b>TRIM OPTIONS</b> SEE PAGES 74-75 FOR FINISH AND TRIM OPTIONS
PAINTED 1.44	STAINLESS 2.35
450	

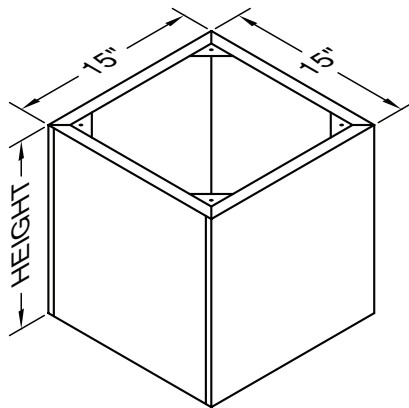
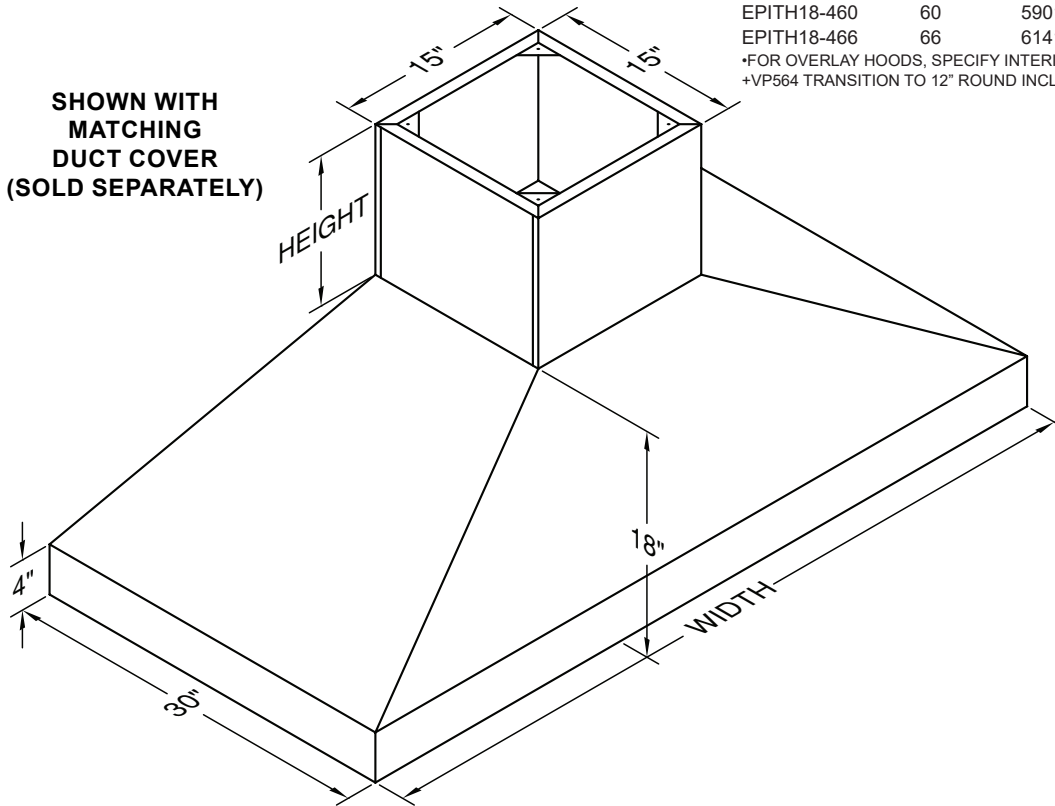


# EPITH18 EURO-STYLE ISLAND RANGE HOOD

**RECOMMENDED MOUNTING HEIGHT  
FROM COOKING SURFACE: 30"**  
**TRANSITION INCLUDED SEPARATELY**

MODEL NO.	WIDTH	PAINTED	STAINLESS	OVERLAY*	#LTS
<b>WITH CLUSTER BLOWER (1100 CFM)+</b>					
EPITH18-448	48	5166	6444	8736	4
EPITH18-454	54	5676	7016	9503	4
EPITH18-460	60	5901	7514	9998	4
EPITH18-466	66	6141	7828	10509	4

\*FOR OVERLAY HOODS, SPECIFY INTERIOR COLOR  
+VP564 TRANSITION TO 12" ROUND INCLUDED WITH CLUSTER BLOWER



MODEL NO.	WIDTH	PAINTED	STAINLESS	OVERLAY	CLG.
IDCRND-15/12	15	536	578	688	8'
IDCRND-15/24	15	660	743	962	9'
IDCRND-15/36	15	785	908	1214	10'

IDCRND MODELS INCLUDE REMOVABLE FRONT/REAR PANELS.

**CUSTOM ISLAND DUCT COVERS**

	PAINTED	STAINLESS	OVERLAY
WIDTH x HEIGHT x PLUS	0.72	0.97	1.61
		450	

ANY IDCRND SS DUCT COVER MORE THAN 45" TALL WILL HAVE A VERTICAL GRAIN DIRECTION. CUSTOM SIZES MAY BE LIMITED BY RAW MATERIAL SIZE. CONTACT FACTORY FOR FURTHER DETAILS.

**SLOPED TOP ON DUCT COVER**

ADD	450
-----	-----

SPECIFY FRONT TO BACK OR LEFT TO RIGHT DIMENSIONS.

EPITH18 EURO-STYLE ISLAND HOOD VARIATIONS							
<b>WIDTHS OVER 66"</b>				<b>DEPTH OVER 30"</b>			
FOR EACH 6" INCREMENT	PAINTED	STAINLESS	OVERLAY	WIDTH x EXTRA DEPTH x	PAINTED	STAINLESS	OVERLAY
PLUS	232	305	480	PLUS	1.44	2.35	2.89
SPECIAL WIDTH (LESS THAN 66")				<b>REMOTE BLOWER OPTIONS</b>			
USE NEXT LARGEST SIZE ON PRICE LIST,				SEE PAGES 68-69 FOR REMOTE BLOWER OPTIONS			
PLUS				<b>CUSTOM COLOR (SEE CUSTOM COLOR CHART)</b>			
PLUS 263				ADD 822			
<b>STAINLESS STEEL INTERIOR ON OVERLAY HOOD</b>				<b>TRIM OPTIONS</b>			
SUBTRACT PAINTED PRICE OF HOOD FROM STAINLESS PRICE OF HOOD				SEE PAGES 74-75 FOR FINISH AND TRIM OPTIONS			

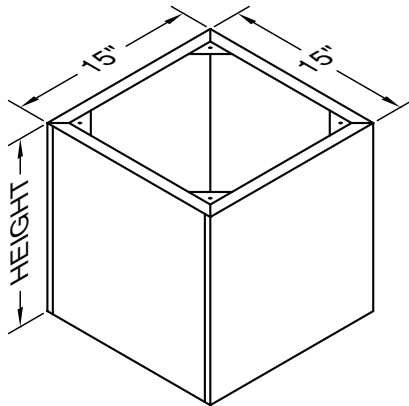
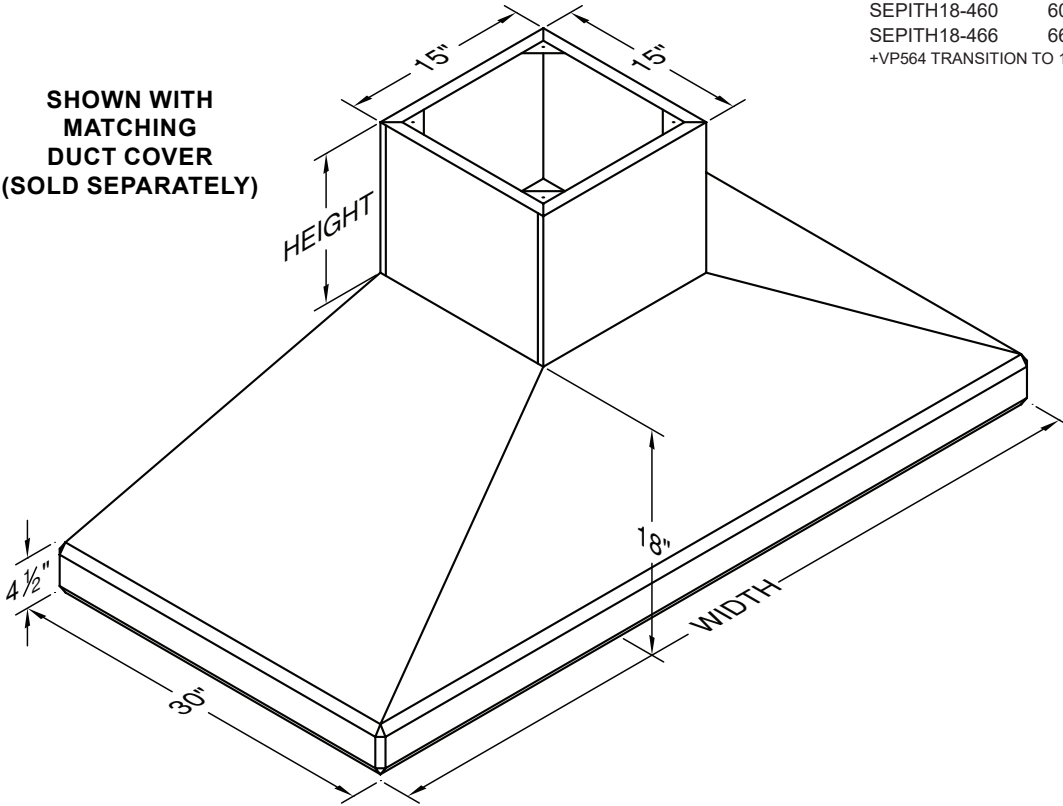


# SEPITH18 EURO-STYLE ISLAND RANGE HOOD

**RECOMMENDED MOUNTING HEIGHT  
FROM COOKING SURFACE: 30"**  
**TRANSITION INCLUDED SEPARATELY**

MODEL NO.	WIDTH	PAINTED	STAINLESS	#LTS
WITH CLUSTER BLOWER (1100 CFM)+				
SEPITH18-448	48	5645	7061	4
SEPITH18-454	54	6157	7664	4
SEPITH18-460	60	6382	7979	4
SEPITH18-466	66	6606	8311	4
+VP564 TRANSITION TO 12" ROUND INCLUDED WITH CLUSTER BLOWER				

SHOWN WITH  
MATCHING  
DUCT COVER  
(SOLD SEPARATELY)



MODEL NO.	WIDTH	PAINTED	STAINLESS	CLG.
IDCRND-15/12	15	536	578	8'
IDCRND-15/24	15	660	743	9'
IDCRND-15/36	15	785	908	10'
IDCRND MODELS INCLUDE REMOVABLE FRONT/REAR PANELS.				

**CUSTOM ISLAND DUCT COVERS**

	PAINTED	STAINLESS
WIDTH x HEIGHT x PLUS	0.72	0.97
		450

ANY IDCRND SS DUCT COVER MORE THAN 45" TALL WILL HAVE A VERTICAL GRAIN DIRECTION. CUSTOM SIZES MAY BE LIMITED BY RAW MATERIAL SIZE. CONTACT FACTORY FOR FURTHER DETAILS.

**SLOPED TOP ON DUCT COVER**

ADD	450
SPECIFY FRONT TO BACK OR LEFT TO RIGHT DIMENSIONS.	

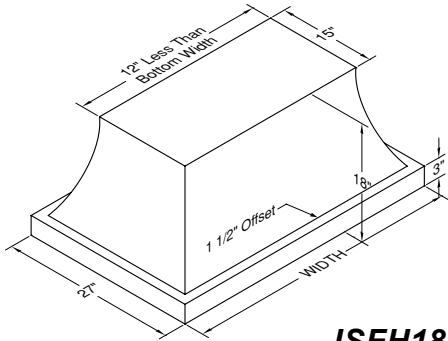
**SEPITH18 EURO-STYLE ISLAND HOOD VARIATIONS**

<b>WIDTHS OVER 66"</b>	PAINTED	STAINLESS	<b>DEPTH OVER 30"</b>	PAINTED	STAINLESS
FOR EACH 6" INCREMENT	232	305	WIDTH x EXTRA DEPTH x PLUS	1.44	2.35
PLUS	263		PLUS	450	
<b>SPECIAL WIDTH (LESS THAN 66")</b>	USE NEXT LARGEST SIZE ON PRICE LIST, PLUS		<b>CUSTOM COLOR (SEE CUSTOM COLOR CHART)</b>	ADD	
	263			822	
<b>REMOTE BLOWER OPTIONS</b>	SEE PAGES 68-69 FOR REMOTE BLOWER OPTIONS		<b>TRIM OPTIONS</b>	SEE PAGES 74-75 FOR FINISH AND TRIM OPTIONS	

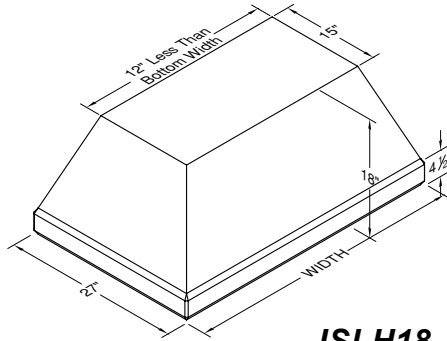


# OTHER ISLAND RANGE HOOD STYLES

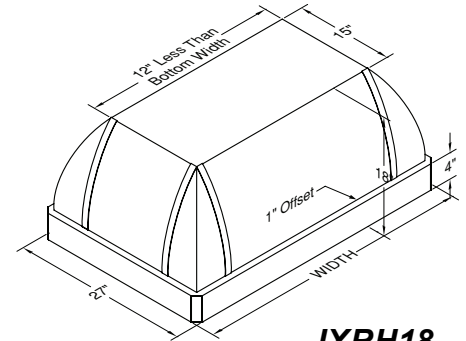
THESE MODELS HAVE BEEN REMOVED FROM OUR PRICING LITERATURE BUT THAT DOES NOT MEAN THAT THEY HAVE BEEN DISCONTINUED. PLEASE CONTACT THE FACTORY FOR PRICING DETAILS ON THESE HOODS.



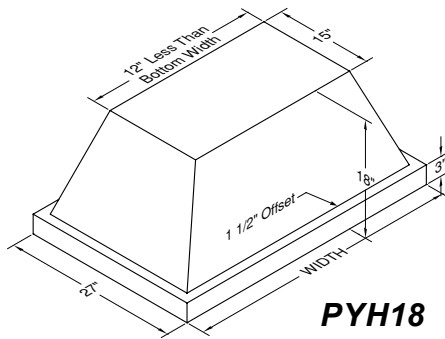
**ISFH18**



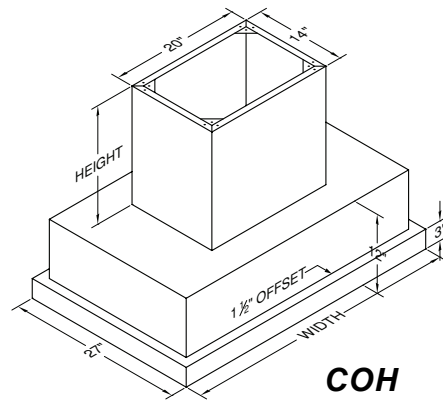
**ISLH18**



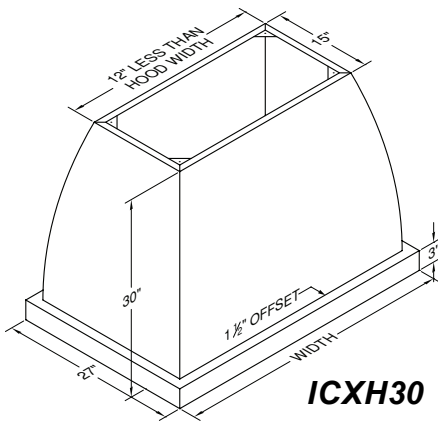
**IXRH18**



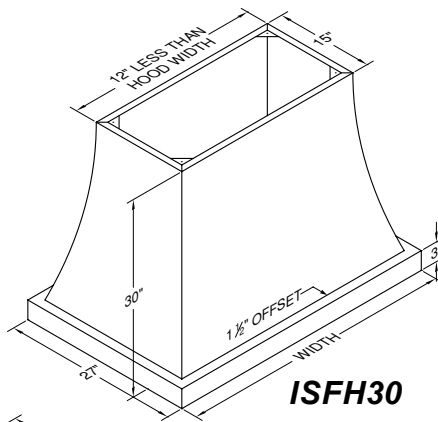
**PYH18**



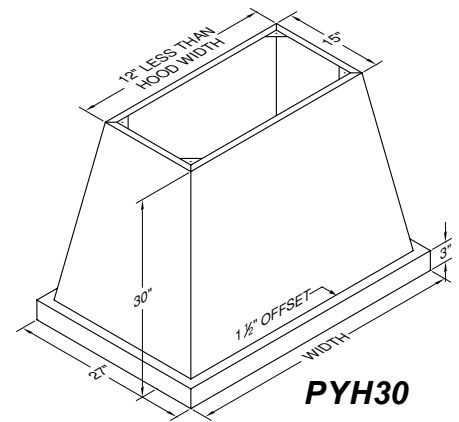
**COH**



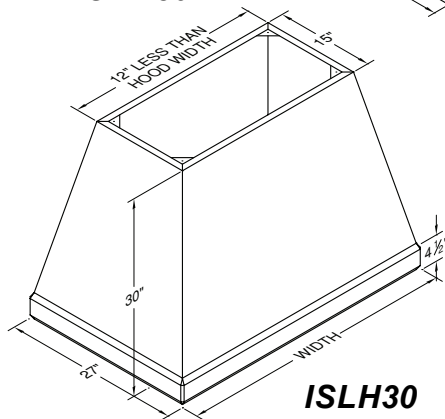
**ICXH30**



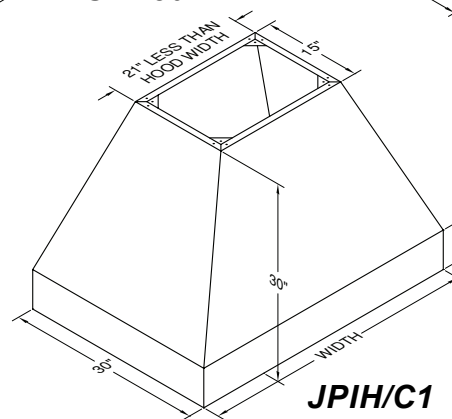
**ISFH30**



**PYH30**



**ISLH30**

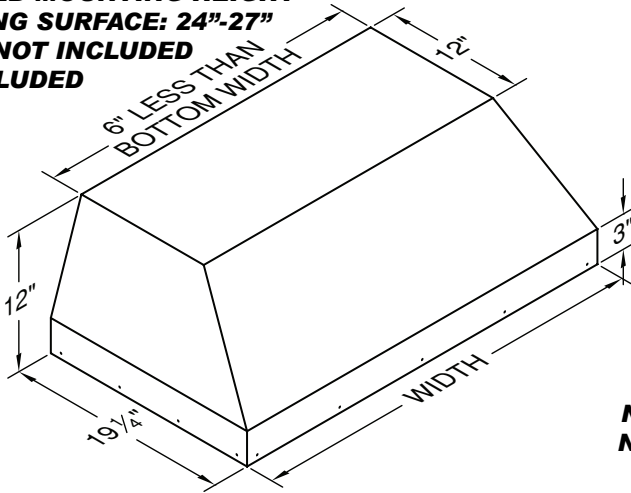


**JPIH/C1**



# WALL MOUNT LINER INSERTS

**RECOMMENDED MOUNTING HEIGHT  
FROM COOKING SURFACE: 24"-27"  
TRANSITION NOT INCLUDED  
TRIM KIT INCLUDED**

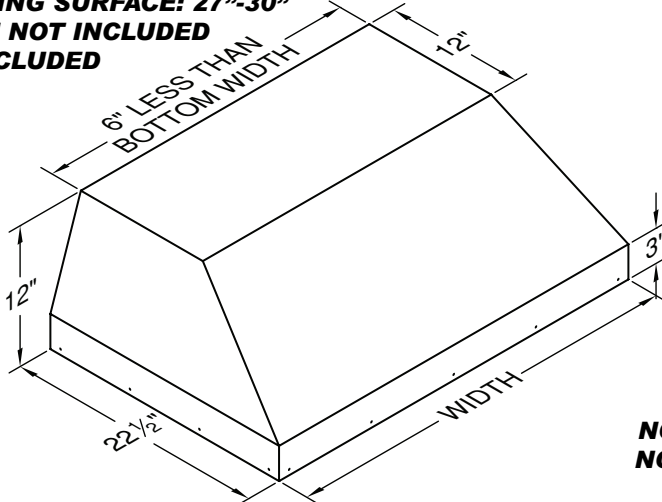


MODEL NO.	WIDTH	PAINTED	STAINLESS	#LTS
<b>WITH SINGLE BLOWER (300 CFM)</b>				
BH128SLD	28 3/8"	944	1249	2
BH134SLD	34 3/8"	944	1249	2
BH140SLD	40 3/8"	1093	1404	2
<b>WITH DUAL BLOWER (600 CFM)</b>				
BH228SLD	28 3/8"	1343	1686	2
BH234SLD	34 3/8"	1343	1686	2
BH240SLD	40 3/8"	1504	1854	2
BH246SLD	46 3/8"	1604	2001	3
<b>WITH DUAL &amp; SINGLE BLOWERS (900 CFM)</b>				
BH346SLD	46 3/8"	2050	2481	3

**NO VARIATIONS  
NO HEAT LAMPS**

USE VP562 TRANSITION (OPTIONAL) ON 900 CFM MODEL TO COMBINE OUTLETS INTO A SINGLE 10" DUCT.

**RECOMMENDED MOUNTING HEIGHT  
FROM COOKING SURFACE: 27"-30"  
TRANSITION NOT INCLUDED  
TRIM KIT INCLUDED**



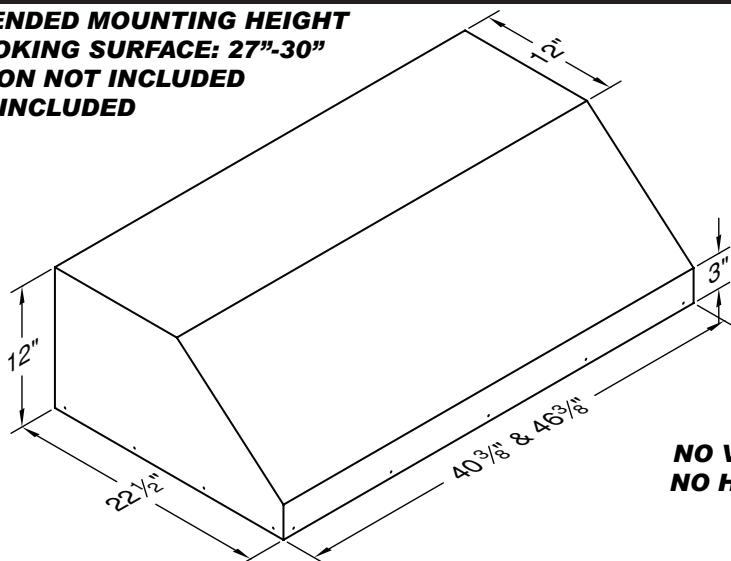
MODEL NO.	WIDTH	PAINTED	STAINLESS	#LTS
<b>WITH DUAL BLOWER (600 CFM)</b>				
BH228PSLD	28 3/8"	1382	1704	2
BH234PSLD	34 3/8"	1382	1704	2
BH240PSLD	40 3/8"	1534	1878	2
BH246PSLD	46 3/8"	1696	2041	3
BH252PSLD	52 3/8"	1971	2511	3
<b>WITH DUAL &amp; SINGLE BLOWERS (900 CFM)</b>				
BH346PSLD	46 3/8"	2083	2520	3
BH352PSLD	52 3/8"	2371	3003	3
BH358PSLD	58 3/8"	2788	3518	4
<b>WITH TWO DUAL BLOWERS (1200 CFM)</b>				
BH452PSLD	52 3/8"	2772	3442	3
BH458PSLD	58 3/8"	3189	3958	4
BH464PSLD	64 3/8"	3366	4192	4

**NO VARIATIONS  
NO HEAT LAMPS**

USE VP562 TRANSITION (OPTIONAL) ON 900 CFM MODELS TO COMBINE OUTLETS INTO A SINGLE 10" DUCT.

USE VP563 TRANSITION (OPTIONAL) ON 1200 CFM MODELS TO COMBINE OUTLETS INTO A SINGLE 12" DUCT.

**RECOMMENDED MOUNTING HEIGHT  
FROM COOKING SURFACE: 27"-30"  
TRANSITION NOT INCLUDED  
TRIM KIT INCLUDED**



MODEL NO.	WIDTH	PAINTED	STAINLESS	#LTS
<b>WITH DUAL &amp; SINGLE BLOWERS (900 CFM)</b>				
BH340PSLB	40 3/8"	2079	2515	3
<b>WITH TWO DUAL BLOWERS (1200 CFM)</b>				
BH446PSLB	46 3/8"	2557	3081	3

**NO VARIATIONS  
NO HEAT LAMPS**

USE VP562 TRANSITION (OPTIONAL) ON 900 CFM MODELS TO COMBINE OUTLETS INTO A SINGLE 10" DUCT.

USE VP563 TRANSITION (OPTIONAL) ON 1200 CFM MODELS TO COMBINE OUTLETS INTO A SINGLE 12" DUCT.

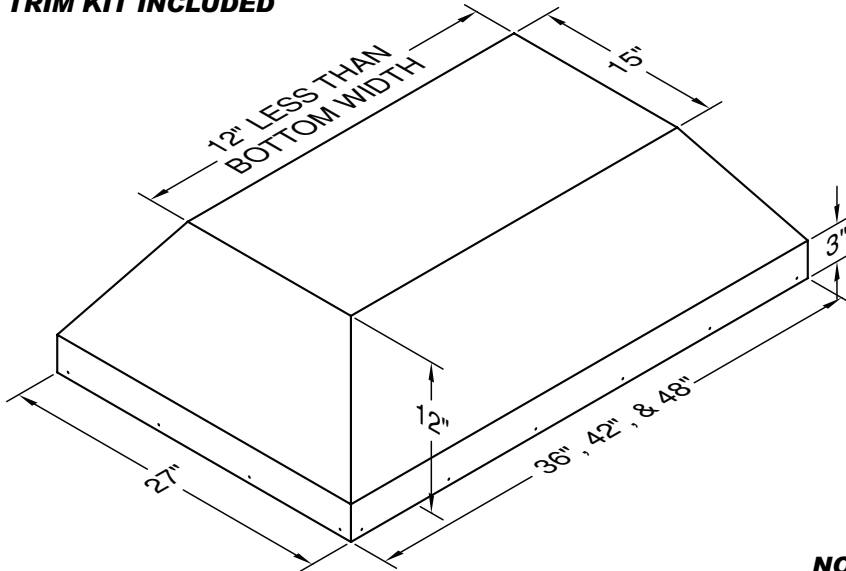


# THSLE & THPSLE ISLAND LINER INSERTS

**RECOMMENDED MOUNTING HEIGHT  
FROM COOKING SURFACE: 30"**  
**TRANSITION INCLUDED SEPARATELY**  
**TRIM KIT INCLUDED**

MODEL NO.	WIDTH	PAINTED	STAINLESS	#LTS
WITH DUAL BLOWER (550 CFM)*				
TH236SLE	36	2372	2956	4
TH242SLE	42	2426	3040	4
TH248SLE	48	2479	3095	4

\*VP565 TRANSITION TO 8" ROUND INCLUDED WITH DUAL BLOWER

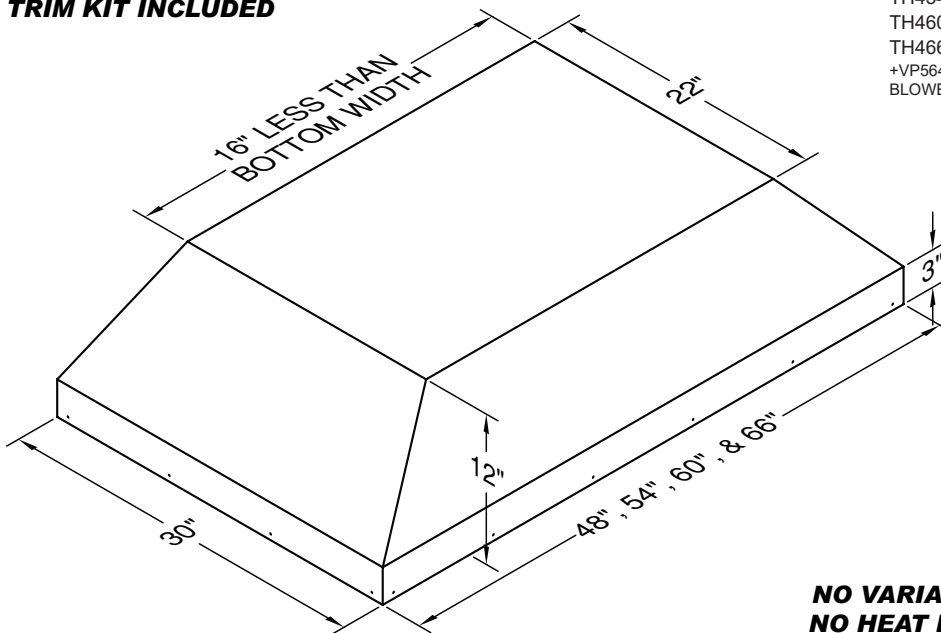


**NO VARIATIONS**  
**NO HEAT LAMPS**

**RECOMMENDED MOUNTING HEIGHT  
FROM COOKING SURFACE: 30"**  
**TRANSITION INCLUDED SEPARATELY**  
**TRIM KIT INCLUDED**

MODEL NO.	WIDTH	PAINTED	STAINLESS	#LTS
WITH CLUSTER BLOWER (1100 CFM)+				
TH448PSLE	48	3917	5338	4
TH454PSLE	54	4075	5538	4
TH460PSLE	60	4165	5729	4
TH466PSLE	66	4228	5844	4

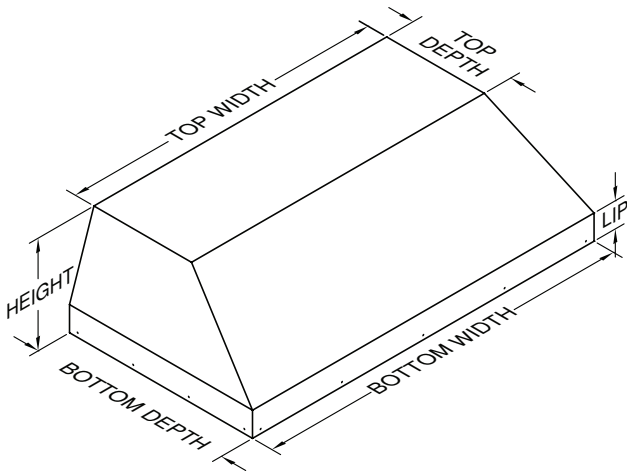
+VP564 TRANSITION TO 12" ROUND INCLUDED WITH CLUSTER BLOWER



**NO VARIATIONS**  
**NO HEAT LAMPS**



# BH-LD & BH-LB CUSTOM WALL MOUNT LINER INSERTS



**MINIMUM TOP WIDTH FOR 300 SERIES IS 40-3/8".**  
**MINIMUM TOP WIDTH FOR 400 SERIES IS 46-3/8"**

USE VP562 TRANSITION (OPTIONAL) ON 900 CFM MODELS TO COMBINE OUTLETS INTO A SINGLE 10" DUCT.

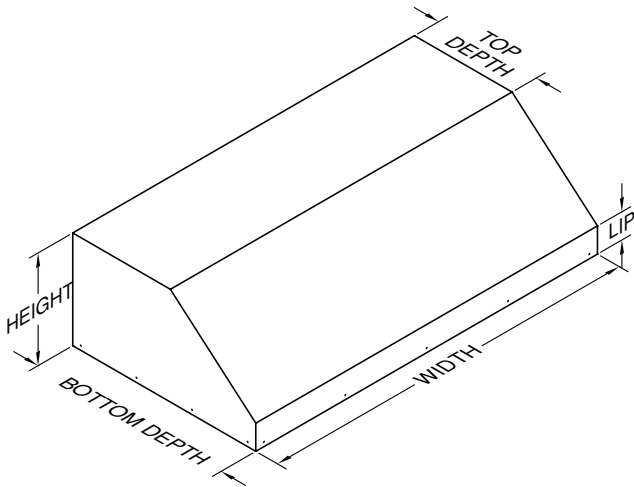
USE VP563 TRANSITION (OPTIONAL) ON 1200 CFM MODELS TO COMBINE OUTLETS INTO A SINGLE 12" DUCT.

MODEL NO.	WIDTH	PAINTED	STAINLESS	#LTS
<b>WITH SINGLE BLOWER (300 CFM)</b>				
BH100LD-A	24"-36"	1889	2469	2
<b>WITH DUAL BLOWER (600 CFM)</b>				
BH200LD-A	24"-36"	2354	2964	2
BH200LD-B	36"-48"	2615	3239	*
BH200LD-C	48"-54"	2963	3762	*
<b>WITH DUAL &amp; SINGLE BLOWERS (900 CFM)</b>				
BH300LD-D	42"-54"	3545	4459	*
<b>WITH TWO DUAL BLOWERS (1200 CFM)</b>				
BH400LD-E	48"-66"	4328	5390	*

\*2 LIGHTS FOR HOODS 24"-41", 3 LIGHTS FOR HOODS 42"-53", 4 LIGHTS FOR HOODS 54"-66"

**TRIM KIT INCLUDED**  
**DIMENSIONS BELOW ARE AVAILABLE AT NO ADDITIONAL COST.**

<b>BOTTOM DEPTH:</b>	<b>16" - 24"</b>
<b>HEIGHT:</b>	<b>12"</b>
<b>TOP DEPTH:</b>	<b>12"</b>
<b>LIP:</b>	<b>3"</b>



USE VP562 TRANSITION (OPTIONAL) ON 900 CFM MODELS TO COMBINE OUTLETS INTO A SINGLE 10" DUCT.

USE VP563 TRANSITION (OPTIONAL) ON 1200 CFM MODELS TO COMBINE OUTLETS INTO A SINGLE 12" DUCT.

MODEL NO.	WIDTH	PAINTED	STAINLESS	#LTS
<b>WITH SINGLE BLOWER (300 CFM)</b>				
BH100LB-A	24"-36"	1452	2033	2
<b>WITH DUAL BLOWER (600 CFM)</b>				
BH200LB-A	24"-36"	1919	2514	2
BH200LB-B	36"-48"	2179	2804	*
BH200LB-C	48"-54"	2527	3312	*
<b>WITH DUAL &amp; SINGLE BLOWERS (900 CFM)</b>				
BH300LB-D	42"-54"	3110	4009	*
<b>WITH TWO DUAL BLOWERS (1200 CFM)</b>				
BH400LB-E	48"-66"	3892	4954	*

\*2 LIGHTS FOR HOODS 24"-41", 3 LIGHTS FOR HOODS 42"-53", 4 LIGHTS FOR HOODS 54"-66"

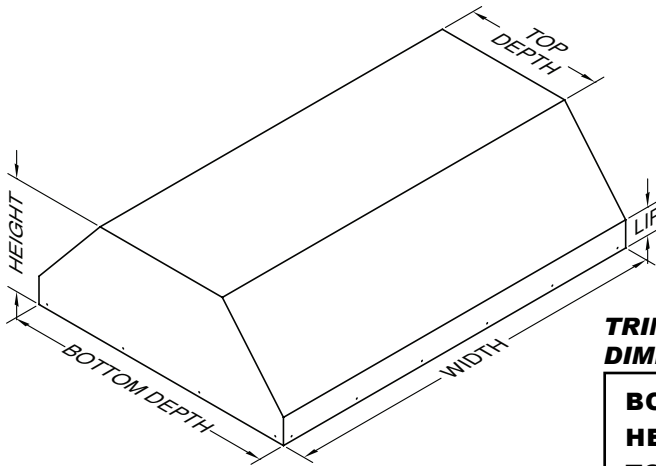
**TRIM KIT INCLUDED**  
**DIMENSIONS BELOW ARE AVAILABLE AT NO ADDITIONAL COST.**

<b>BOTTOM DEPTH:</b>	<b>16" - 24"</b>
<b>HEIGHT:</b>	<b>12"</b>
<b>TOP DEPTH:</b>	<b>12"</b>
<b>LIP:</b>	<b>3"</b>

## CUSTOM WALL MOUNT LINER INSERT VARIATIONS

<b>WIDTHS OVER 66"</b>	PAINTED	STAINLESS	<b>LIP (OTHER THAN 3" STANDARD)</b>	
FOR EACH 6" INCREMENT PLUS	190	271	ADD	417
<b>SPECIAL HEIGHT (OTHER THAN 12" STANDARD)</b>		244	<b>SPECIAL TOP DEPTH (12" MINIMUM)</b>	
9" MINIMUM, 18" MAXIMUM			ADD	417
<b>DEPTH OVER 24"</b>			<b>ADDITIONAL BLOWERS &amp; LIGHTS</b>	
WIDTH x EXTRA DEPTH x PLUS	1.21	1.77	SEE PAGE 68 FOR BLOWER OPTIONS	
		417	<b>REMOTE BLOWER OPTIONS</b>	
			SEE PAGES 68-69 FOR REMOTE BLOWER OPTIONS	
			<b>CUSTOM COLOR (SEE CUSTOM COLOR CHART)</b>	
			ADD	847
			<b>WARMING LAMPS AND SHELVES</b>	
			SEE PAGES 71 FOR WARMING LAMP AND SHELF OPTIONS	

# TH-LC & TH-LE CUSTOM ISLAND LINER INSERTS

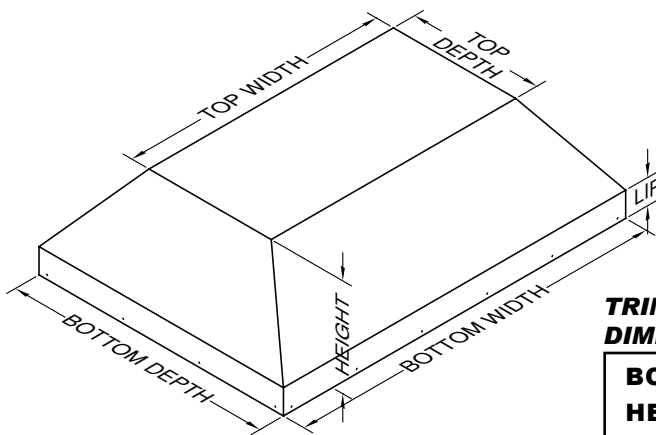


**TRIM KIT INCLUDED**  
**DIMENSIONS BELOW ARE AVAILABLE AT NO ADDITIONAL COST.**

<b>BOTTOM DEPTH:</b>	<b>27"</b>
<b>HEIGHT:</b>	<b>12"</b>
<b>TOP DEPTH:</b>	<b>12" LESS THAN BOTTOM DEPTH</b>
<b>LIP:</b>	<b>3"</b>

MODEL NO.	WIDTH	PAINTED	STAINLESS	#LTS
<b>WITH DUAL BLOWER (550 CFM)*</b>				
TH200LC-A	24"-36"	3343	4272	4
TH200LC-B	36"-48"	3547	4533	4
TH200LC-C	48"-54"	3821	4896	4
<b>WITH TWO DUAL BLOWERS (1100 CFM)+</b>				
TH2+200LC-E	48"-66"	5499	7001	*

EACH DUAL BLOWER REQUIRES 24" MINIMUM TOP WIDTH.  
 #VP565 TRANSITION TO 8" ROUND INCLUDED WITH DUAL BLOWER  
 +VP565 TRANSITION TO 8" ROUND INCLUDED WITH EACH DUAL BLOWER  
 \*4 LIGHTS FOR HOODS 48"-59", 8 LIGHTS FOR HOODS 60"-66"  
 A CLUSTER BLOWER (1100 CFM) IS AVAILABLE ON MODELS WITH A MINIMUM TOP SIZE OF 24" WIDE X 24" DEEP. CONTACT THE FACTORY FOR ADDITIONAL DETAILS.



**TRIM KIT INCLUDED**  
**DIMENSIONS BELOW ARE AVAILABLE AT NO ADDITIONAL COST.**

<b>BOTTOM DEPTH:</b>	<b>27"</b>
<b>HEIGHT:</b>	<b>12"</b>
<b>TOP WIDTH:</b>	<b>12" LESS THAN BOTTOM WIDTH</b>
<b>TOP DEPTH:</b>	<b>12" LESS THAN BOTTOM DEPTH</b>
<b>LIP:</b>	<b>3"</b>

MODEL NO.	WIDTH	PAINTED	STAINLESS	#LTS
<b>WITH DUAL BLOWER (550 CFM)*</b>				
TH200LE-A	24"-36"	3343	4272	4
TH200LE-B	36"-48"	3547	4533	4
TH200LE-C	48"-54"	3821	4896	4
<b>WITH TWO DUAL BLOWERS (1100 CFM)+</b>				
TH2+200LE-E	48"-66"	5499	7001	*

EACH DUAL BLOWER REQUIRES 24" MINIMUM TOP WIDTH.  
 #VP565 TRANSITION TO 8" ROUND INCLUDED WITH DUAL BLOWER  
 +VP565 TRANSITION TO 8" ROUND INCLUDED WITH EACH DUAL BLOWER  
 \*4 LIGHTS FOR HOODS 48"-59", 8 LIGHTS FOR HOODS 60"-66"  
 A CLUSTER BLOWER (1100 CFM) IS AVAILABLE ON MODELS WITH A MINIMUM TOP SIZE OF 24" WIDE X 24" DEEP. CONTACT THE FACTORY FOR ADDITIONAL DETAILS.

## CUSTOM ISLAND LINER INSERT VARIATIONS

<b>WIDTHS OVER 66"</b>			<b>LIP (OTHER THAN 3" STANDARD)</b>	
	PAINTED	STAINLESS	ADD	450
FOR EACH 6" INCREMENT PLUS	232	305	<b>SPECIAL TOP WIDTH OR DEPTH</b>	
		263	ADD	450
<b>SPECIAL HEIGHT (OTHER THAN 12" STANDARD)</b>			<b>REMOTE BLOWER OPTIONS</b>	
9" MINIMUM, 18" MAXIMUM			SEE PAGES 68-69 FOR REMOTE BLOWER OPTIONS	
ADD		450	<b>CUSTOM COLOR (SEE CUSTOM COLOR CHART)</b>	
<b>DEPTH OVER 27"</b>			ADD	793
	PAINTED	STAINLESS		
WIDTH x EXTRA DEPTH x PLUS	1.44	2.35		
		450		



# BLOWER OPTIONS & REMOTE BLOWERS

You may need to add a blower to hoods to increase CFM, depending on the cooking equipment being used. To add a blower to a hood, you need to have enough top space inside of the hood to do so. A Single Blower requires 16" of space, a Dual Blower requires 24" of space, an Island Dual Blower requires 12" D x 23 1/2" W, and an Island Cluster Blower requires 24" D x 24" W.

## ADDING BLOWERS

Model	Volts	Amps	Hz	RPM	*CFM	**Equiv CFM	Painted	Stainless Steel
Single Blower	120	1.5	60	1550	300	450	449	555
Dual Blower	120	2.9	60	1550	600	900	872	1017
Island Dual Blower	120	2.9	60	1550	550	900	898	1149
Island Cluster Blower	120	5.8	60	1550	1100	1800	1796	2298
RM1000	120	3.2	60	1100	945	N/A	1315	
RM1500	120	5.0	60	1130	1500	N/A	1652	

SensaSource® - Our patented speed control system that allows the blower to be turned to half speed for light cooking but automatically returns to high speed when heat rise is detected. This feature is standard on all Magic Lung® and K Series models with halogen lighting.

### SensaSource®

Convert two-speed blower to auto-on SensaSource® control (one for each single or dual blower) 117 ea.

- \* CFM rating is based on 0.0" static pressure (resistance in the ducting turns, roof caps, etc.) CFM rating will change as static pressure is increased. Static pressure increases due to ducting and length of duct run.
- \*\* Equivalent CFM refers to the fact that the Magic Lung® uses centrifugal filtration units, while others use conventional filters. Apply this guideline when comparing blower units made by other manufacturers.

There are certain customers who will want a remote blower range hood despite the benefits of the Magic Lung blower system. The following steps will help you when pricing remote blower hoods.

1. Specify how many and which filters you will be using. B20 SS filters are for wall mount or under cabinet installations and T20 SS filters are for island installations. We recommend one B20 SS or T20 SS for each 22" of hood top width.
2. Specify the size and number of remote blowers you will need. The RM1000 is equivalent to a B200 or T200 blower. The RM1500 is 50% larger.
3. For each remote blower, you will need to add an accessory kit. The accessory kit includes a variable speed blower controller, halogen lights, back draft dampers, and a 10" duct collar.

## DEDUCTING BLOWERS FOR REMOTE BLOWER MODELS

<b>BLOWER PRICING BELOW IS FOR USE IN CALCULATING DEDUCTIONS FOR REMOTE BLOWERS ONLY.</b>		
<b>MODEL</b>	<b>PAINTED</b>	<b>STAINLESS</b>
B100 (SINGLE BLOWER)	448	555
B200 (DUAL BLOWER)	871	1017
T200 (ISLAND DUAL BLOWER)	898	1149
T400 (ISLAND CLUSTER BLOWER)	1796	2298
SPECIAL COLLAR	273	



# REMOTE BLOWERS & ACCESSORIES

## HOOD SELECTION/PRICING WITH REMOTE BLOWERS

1. CHOOSE THE BASE MODEL HOOD THAT IS TO BE EQUIPPED WITH A REMOTE BLOWER.
2. DEDUCT THE PRICE OF THE INTERNAL BLOWER(S) FROM THE HOOD (SEE PREVIOUS PAGE).
3. ADD THE APPROPRIATE ACCESSORY KIT (SEE RIGHT).
4. ADD THE APPROPRIATE FILTERS (SEE BELOW).
5. ADD THE APPROPRIATE REMOTE BLOWER UNIT(S) (SEE BELOW).

## HALOGEN LIGHT KITS

INCLUDES HALOGEN LIGHTS, TWO-STAGE LIGHT SWITCH, SOLID STATE MOTOR CONTROL SWITCH (VARIABLE SPEED) AND 10" DAMPER ASSEMBLY INSTALLED IN HOOD.

ACC.KIT-W-H2 (2 HALO LIGHTS/WALL MT)	639
ACC.KIT-W-H3 (3 HALO LIGHTS/WALL MT)	810
ACC.KIT-W-H4 (4 HALO LIGHTS/WALL MT)	982
ACC.KIT-I-H4 (4 HALO LIGHTS/ISLAND)	1332
ACC.KIT-I-H8 (8 HALO LIGHTS/ISLAND)	2000

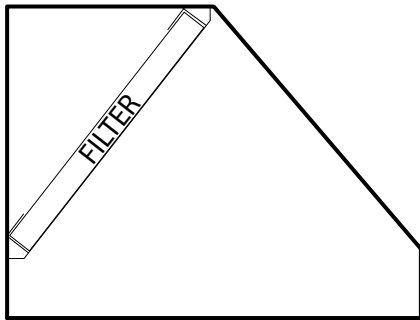
## ACCESSORY KIT PARTS

SOLID STATE (VARIABLE SPEED) MOTOR  
CONTROL WALL SWITCH (P1500W) 99

## ACCESSORY KIT PARTS WHEN ORDERED WITH HOOD

TO ADD MOTOR CONTROL WALL SWITCH ASSEMBLY  
ADD (P1500R) 25

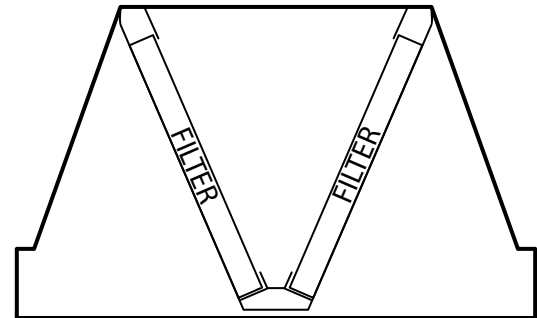
## WALL MOUNT BAFFLE FILTER



WALL MOUNT SIDE VIEW

B20 SS (PER FILTER) 437  
(SPECIFY ONE B20 SS FOR EACH 22" OF HOOD TOP WIDTH)

## ISLAND BAFFLE FILTER

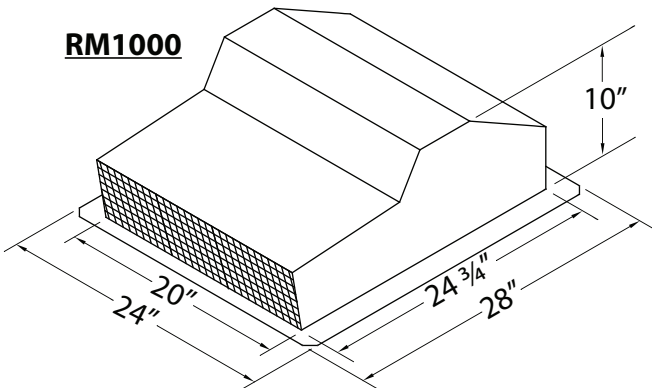


ISLAND SIDE VIEW

T20 SS (PER PAIR OF FILTERS) 903  
(SPECIFY ONE PAIR OF T20 SS FOR EACH 22" OF HOOD TOP WIDTH)

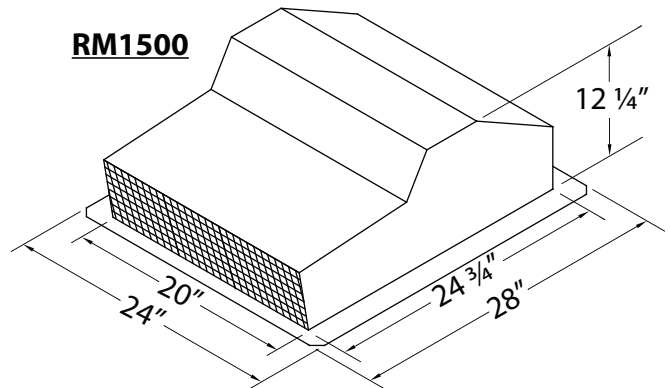
## REMOTE BLOWERS

**RM1000**



RM1000 REMOTE BLOWER 1315

**RM1500**



RM1500 REMOTE BLOWER 1652

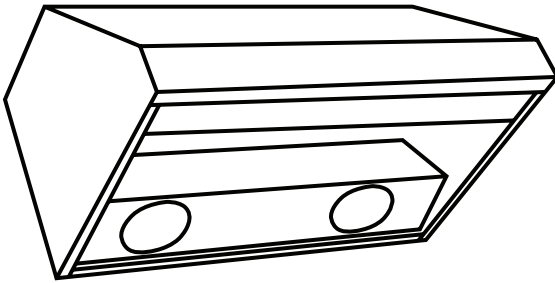






# WARMING LAMPS & SHELVES

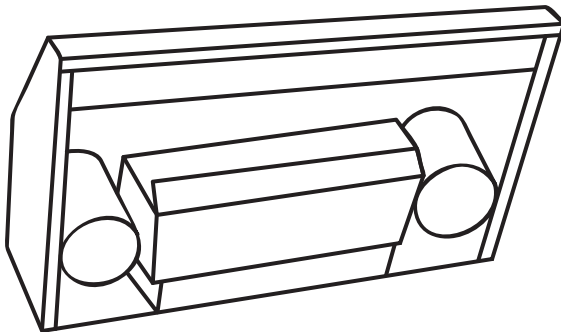
## WARMING BAR



FOR USE IN HOODS 18" OR TALL.  
NOT AVAILABLE ON HOODS WITH DECKS BELOW 18".  
BULBS NOT INCLUDED.

<u>MODEL NO.</u>	<u>PRICE</u>
WBAR	INCLUDES 2 LIGHTS 466
FOR ADDITIONAL LIGHTS, ADD PLUS, PER LIGHT	466 280

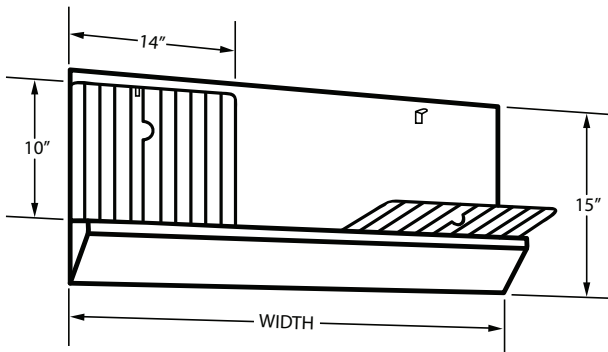
## WARMING LAMP HOUSING



FOR USE IN HOODS UNDER 18" TALL.  
8" TOP DIMENSION REQUIRED PER FIXTURE.  
BULBS NOT INCLUDED.

<u>MODEL NO.</u>	<u>PRICE PER LIGHT</u>
WL-1	280

## WARMING SHELF



TWO FOLD DOWN SHELVES ON A BACKSPLASH.  
MOUNTED ON A 3 1/2" DEEP LEDGE.  
EACH SHELF IS 10" DEEP x 14" WIDE.  
STAINLESS BACKSPLASH IS 15" TALL.

<u>MODEL NO.</u>	<u>WIDTH</u>	<u>PRICE</u>
WS030	30"	538
WS036	36"	589
WS042	42"	632
WS048	48"	692
WS054	54"	735
WS060	60"	785
WS066	66"	830
WS072	72"	886

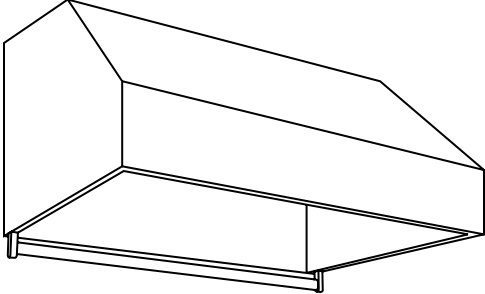
<u>MODEL NO.</u>	<u>DESCRIPTION</u>	<u>PRICE</u>
P1415	Additional Shelf	270
<b><u>WS0 WITH NON-STANDARD WIDTH</u></b>		<b><u>PRICE</u></b>
USE NEXT LARGEST SIZE ON PRICE LIST PLUS		280



# ACCESSORY RAIL

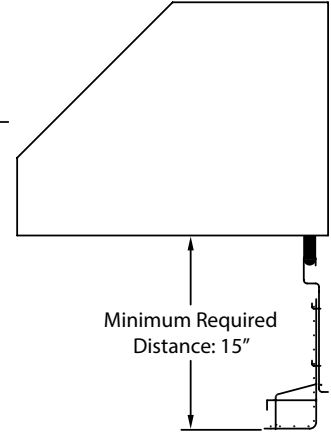
## MODEL WR0

WR0 kit installed on hood includes mounting hardware, accessory rail, two hanger brackets, and two warming shelves with spice racks.



MODEL NO.	WIDTH	PRICE
WR030	30"	522
WR036	36"	529
WR042	42"	529
WR048	48"	549
WR054	54"	549
WR060	60"	549
WR066	66"	642
WR072	72"	661
UP TO 120"		661

SPECIAL WIDTH: USE NEXT LARGEST SIZE.



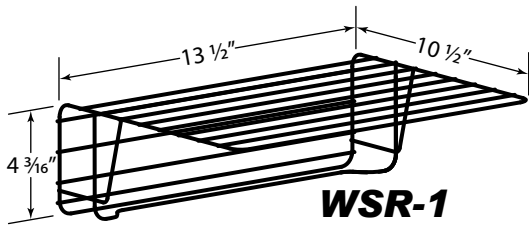
## MODEL WR0L

For use with liner inserts. Specify exact width between cabinets. Use next largest size price for WR0 listed to the right. Kit includes mounting end caps, accessory rail, two hanger brackets, and two warming shelves with spice racks.

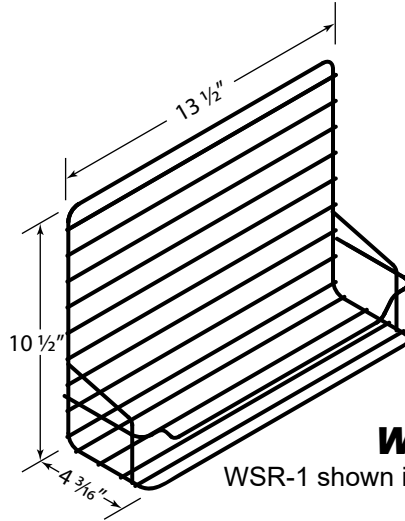
Hood must be at least 30" wide to allow sufficient space for two hanging brackets.

The minimum for hoods with the SL lip is 32" due to the decorative features of the SL lip.

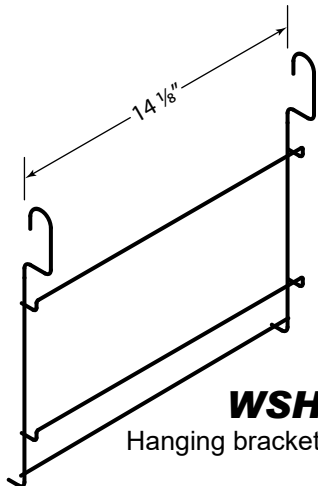
## ADDITIONAL SHELVES/SPICE RACKS



WSR-1 shown in warming shelf position.



WSR-1 shown in spice rack position.

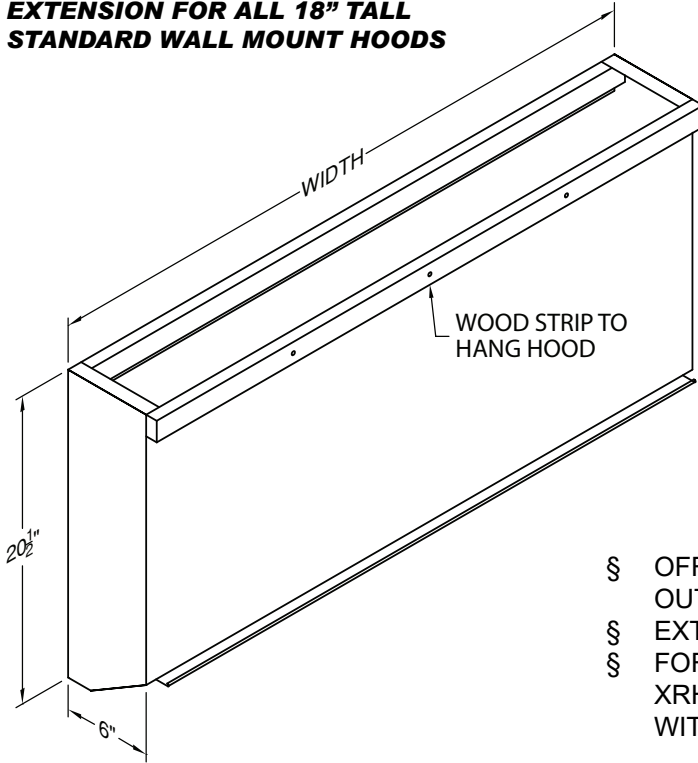


WSH-1 Hanging bracket for WSR-1.

MODEL NO.	DESCRIPTION	PRICE
WSR-1	Warming Shelf/Rack	119
WSH-1	Hanging Bracket	67
WR0-EC	End Cap (2 Req.)	30

# BBQ EXTENSION

**EXTENSION FOR ALL 18" TALL STANDARD WALL MOUNT HOODS**



MODEL NO.	WIDTH	PAINTED	STAINLESS
BBE30	30"	512	717
BBE36	36"	535	837
BBE42	42"	550	918
BBE48	48"	573	979
BBE54	54"	596	1054
BBE60	60"	619	1124

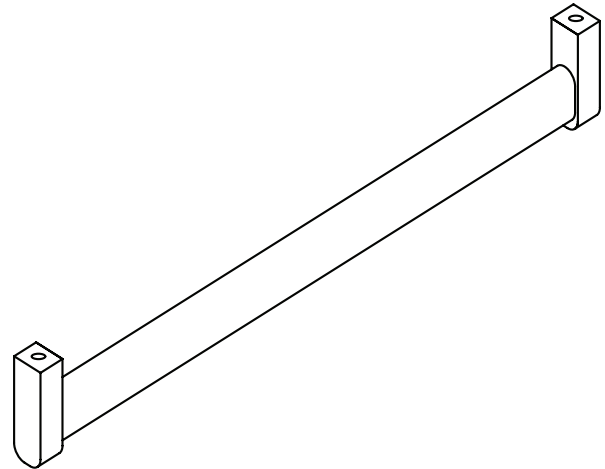
## PRODUCT FEATURES

- § OFFERS MAXIMUM CANOPY EXPOSURE OVER OUTDOOR GRILL APPLICATIONS
- § EXTENDS PROJECTION TO 30" OR 33" DEEP
- § FOR USE WITH PRH18, PRXH18, NPH18, NPXH18, XRH18, OR XRXH18 MODELS WHEN NOT EQUIPPED WITH A WARMING BAR.

## WR ACCESSORY RAIL

FOR USE WITH BBQ EXTENSION KIT.  
AVAILABLE IN SS FINISH ONLY.

MODEL NO.	PRICE
WR-30	139
WR-36	154
WR-42	154
WR-48	161
WR-54	161
WR-60	161



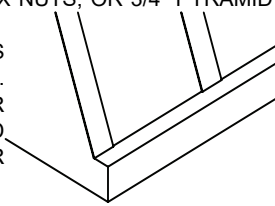
# BANDS, FINISHES, & POT RAILS

## VERTICAL BANDS

18 GAUGE\*

1/2" WIDE: EACH BAND (UP TO 30")	225
1" WIDE: EACH BAND (UP TO 30")	225
2" WIDE: EACH BAND (UP TO 30")	225
TALLER THAN 30", PER INCH PER BAND, ADD	7.44

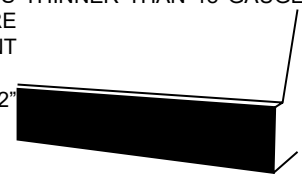
\* 18 GAUGE VERTICAL BANDS ARE ATTACHED WITH LAMINATE. 18 GAUGE VERTICAL BANDS CAN BE ATTACHED WITH 1/4" RIVETS, 1/2" RIVETS, 3/8" HEX NUTS, 1/2" HEX NUTS, OR 3/4" PYRAMID CLAVOS BY REQUEST. HAMMERED COPPER MATERIAL IS THINNER THAN 18 GAUGE MATERIAL. ATTACHMENTS ARE REQUIRED FOR HAMMERED COPPER BANDS AND FOR BANDS ON HAMMERED COPPER HOODS.



## LIP TREATMENT (LIT)

18 GAUGE, PER INCH, ADD	7.44 *
1/8" THICK x 1" TALL SOLID BRASS, SOLID COPPER, OR BRUSHED SS PER INCH, ADD	8.19 **
1/4" THICK x 1" TALL SOLID BRASS, SOLID COPPER, OR BRUSHED SS PER INCH, ADD	8.93 **

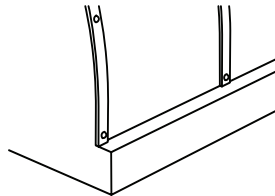
\* 18 GAUGE L/T IS ATTACHED WITH LAMINATE. 18 GAUGE L/T CAN BE ATTACHED WITH 1/4" RIVETS, 1/2" RIVETS, 3/8" HEX NUTS, 1/2" HEX NUTS, OR 3/4" PYRAMID CLAVOS BY REQUEST. HAMMERED COPPER MATERIAL IS THINNER THAN 18 GAUGE MATERIAL. ATTACHMENTS ARE REQUIRED FOR LIP TREATMENT ON HAMMERED COPPER HOODS.  
\*\* MUST BE ATTACHED WITH 1/2" RIVETS.



## HEAVY VERTICAL BANDS

SOLID BRASS, SOLID COPPER, OR BRUSHED SS	
1/8" THICK x 1" WIDE, EACH (UP TO 30")	245 *
TALLER THAN 30" PER INCH PER BAND, ADD	8.19
1/4" THICK x 1" WIDE, EACH (UP TO 30")	268 *
TALLER THAN 30", PER INCH PER BAND, ADD	8.93

\* ATTACHED WITH 1/2" RIVETS. CAN BE ATTACHED WITH LAMINATE BY REQUEST.  
+ MUST BE ATTACHED WITH 1/2" RIVETS.



## CORNER BANDS

### CORNER BANDS FOR STRAIGHT EDGES\*

1" x 1", EACH (UP TO 30")	397
2" x 2", EACH (UP TO 30")	397
TALLER THAN 30", PER INCH PER BAND, ADD	13.21

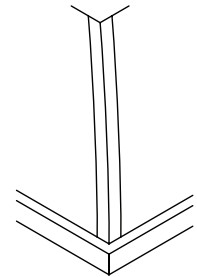
### CORNER BANDS FOR CONVEX/CONCAVE EDGES\*

1" x 1", EACH (UP TO 30")	793
2" x 2", EACH (UP TO 30")	793
TALLER THAN 30", PER INCH PER BAND, ADD	26.41

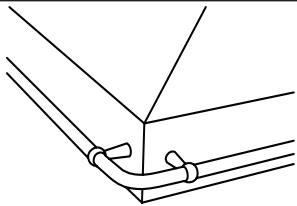
\* ATTACHED WITH LAMINATE. CAN BE ATTACHED WITH 1/4" RIVETS, 1/2" RIVETS, 3/8" HEX NUTS, 1/2" HEX NUTS, OR 3/4" PYRAMID CLAVOS BY REQUEST.

+1" x 1" ATTACHED WITH 1/4" RIVETS. 2" x 2" ATTACHED WITH 1/2" RIVETS. CAN BE ATTACHED WITH 3/8" HEX NUTS, 1/2" HEX NUTS, OR 3/4" PYRAMID CLAVOS BY REQUEST.

AVAILABLE IN PAINTED FINISHES OR STAINLESS STEEL ONLY.  
ALL CORNER BANDS ARE 18 GAUGE.



## POT RAIL

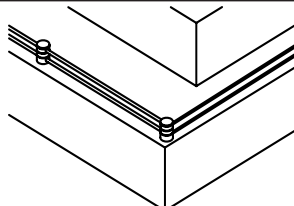


### TUBULAR (5/8" DIAMETER)

BRASS, CHROME, OR COPPER:	
PER INCH*	11.89
ADDITIONAL HOOKS AVAILABLE IN SS, COPPER, OR BRASS	
P011: EACH	10.56

\* For pot rail that is less than the overall width or depth of the hood, charge for full width or depth. Examples- A 24" deep hood with 3" of pot rail on a side is priced as 24" of pot rail. A 48" wide hood with 36" of pot rail on the front is priced as 48" of pot rail.

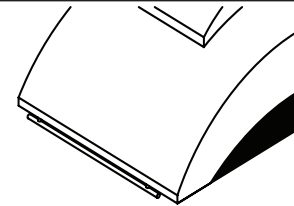
## GALLEY RAIL



### GALLEY RAIL

STAINLESS STEEL:	
PER INCH	8.93

## FIXED RAIL



### FIXED LENGTH SS RAIL (EACH)

PR21 SS (19.53")	133
PR24 SS (22.05")	153
PR27 SS (24.57")	166
PR30 SS (28.35")	200

## COLORS

**STANDARD**  
BISCUIT (BT)  
BLACK CARBIDE (BC)  
BLACK SATIN (BL)  
GUNSMOKE (GS)  
WHITE (WH)

**SPECIAL**  
BLACK RIVER (BR)  
COPPER VEIN (CV)  
OIL RUBBED BRONZE (ORB)  
PEWTER (PTR)  
RUST (RT)  
SILVER VEIN (SV)  
SLATE (SL)

**CUSTOM**  
RAL PAINT COLORS  
A custom color chart  
is available for  
custom colors.

**ANTIQUE, SATIN, BRUSHED**  
CAN BE APPLIED TO:  
BRASS/COPPER OVERLAYS

**ARTISAN**  
CAN BE APPLIED TO:  
STAINLESS STEEL

CHARGE FOR EACH HOOD  
OR DUCT COVER.

**ANTIQUE, BRUSHED, SATIN TRIM**  
BRASS BANDS & L/T  
COPPER BANDS & L/T

**ARTISAN TRIM**  
SS BANDS & L/T

CHARGE ONCE FOR ALL  
TRIM ON A HOOD AND  
DUCT COVER ASSEMBLY.

Color Charges: ADD NO CHARGE

309

822

1117

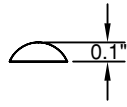
309

# BAND & LIP TREATMENT ATTACHMENT OPTIONS

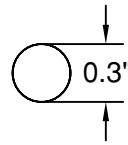
## 1/4" RIVETS



**3D View**



**Side View**



**Top View**

1/4" RIVETS ARE STANDARD ON 1" x 1" CONVEX/ CONCAVE CORNER BANDS.

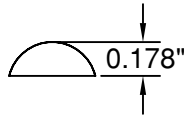
1/4" RIVETS ARE OPTIONAL ON 18 GA. LIP TREATMENT, 18 GA. VERTICAL BANDS, AND STRAIGHT CORNER BANDS. ADDITIONAL CHARGES MAY APPLY.

1/4" RIVETS ARE AVAILABLE IN ALL BAND FINISHES (PAINTED TO MATCH).

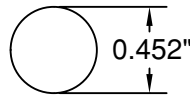
## 1/2" RIVETS



**3D View**



**Side View**



**Top View**

1/2" RIVETS ARE STANDARD ON 2" x 2" CONVEX/ CONCAVE CORNER BANDS AND ON 1/4" x 1" HEAVY VERTICAL BANDS AND LIP TREATMENT.

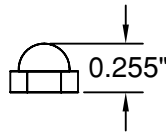
1/2" RIVETS ARE OPTIONAL ON 18 GA. LIP TREATMENT, 18 GA. VERTICAL BANDS, AND STRAIGHT CORNER BANDS. ADDITIONAL CHARGES MAY APPLY.

1/2" RIVETS ARE AVAILABLE IN ALL BAND FINISHES (PAINTED TO MATCH).

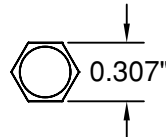
## 3/8" HEX NUTS



**3D View**



**Side View**

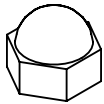


**Top View**

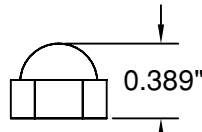
3/8" HEX NUTS ARE OPTIONAL ON 18 GA. LIP TREATMENT, 18 GA. VERTICAL BANDS, AND CORNER BANDS. ADDITIONAL CHARGES MAY APPLY.

3/8" HEX NUTS ARE AVAILABLE IN ALL BAND FINISHES (BRASS, STAINLESS STEEL, OR PAINTED TO MATCH).

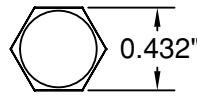
## 1/2" HEX NUTS



**3D View**



**Side View**

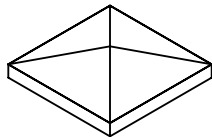


**Top View**

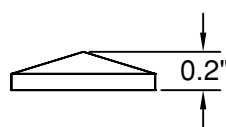
1/2" HEX NUTS ARE OPTIONAL ON 18 GA. LIP TREATMENT, 18 GA. VERTICAL BANDS, AND CORNER BANDS. ADDITIONAL CHARGES MAY APPLY.

1/2" HEX NUTS ARE AVAILABLE IN ALL BAND FINISHES (BRASS, STAINLESS STEEL, OR PAINTED TO MATCH).

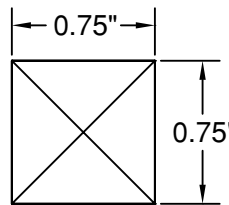
## 3/4" PYRAMID CLAVOS



**3D View**



**Side View**



**Top View**

3/4" PYRAMID CLAVOS ARE OPTIONAL ON 18 GA. LIP TREATMENT, 18 GA. VERTICAL BANDS, AND CORNER BANDS. ADDITIONAL CHARGES MAY APPLY.

3/4" PYRAMID CLAVOS ARE AVAILABLE IN COPPER AND STAINLESS STEEL FINISHES.

3/4" PYRAMID CLAVOS CAN BE ROTATED 45 DEGREES FOR A MORE DECORATIVE APPEARANCE. NOTE: 3/4" PYRAMID CLAVOS ARE OVER 1" WIDE WHEN TURNED TO A 45 DEGREE "DIAMOND" ANGLE.

NOTE: SECTION TITLES ARE ROUNDED FOR CONVENIENCE PURPOSES AND DO NOT REPRESENT EXACT SIZES.

## STANDARD BAND & LIP TREATMENT ATTACHMENT METHODS

BAND/LIP TREATMENT	STANDARD ATTACHMENT	ADDITIONAL ATTACHMENT OPTIONS
18 Ga. Vertical Band/Lip Treatment	Laminate	1/4" Rivets, 1/2" Rivets, 3/8" Hex Nuts, 1/2" Hex Nuts, and 3/4" Pyramid Clavos
1/8" x 1" Vertical Band/Lip Treatment	1/2" Rivets	Laminate
1/4" x 1" Vertical Band/Lip Treatment	1/2" Rivets	Laminate
Straight Corner Band	Laminate	1/4" Rivets, 1/2" Rivets, 3/8" Hex Nuts, 1/2" Hex Nuts, and 3/4" Pyramid Clavos
Convex or Concave Corner Band	1" x 1" - 1/4" Rivets, 2" x 2" - 1/2" Rivets	1/2" Rivets, 3/8" Hex Nuts, 1/2" Hex Nuts, and 3/4" Pyramid Clavos

Decorative attachments will be placed by the factory for best appearance. To specify locations, add per inch

7.44

UMRP

3/16/22

email: sales@vahdistributing.com

website: www.vahdistributing.com

Page 79

THE INFORMATION IN THIS DOCUMENT IS SUBJECT TO CHANGE AT ANY TIME WITHOUT NOTICE.



*Vent-A-Hood*®

# Power Lung Range Hoods

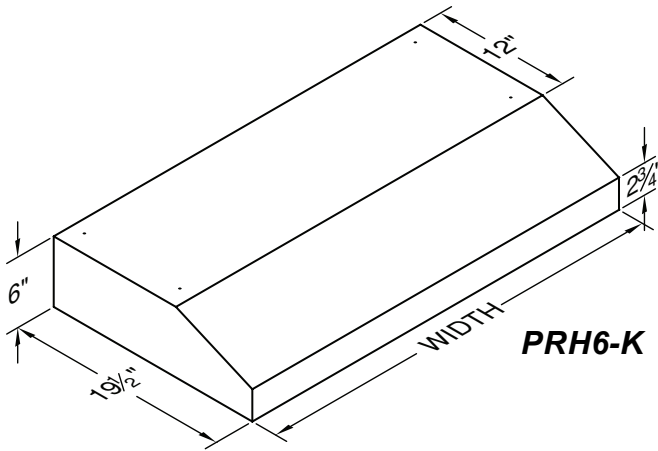




# PRH6-K & SLH6-K UNDER CABINET RANGE HOODS

**RECOMMENDED MOUNTING HEIGHT FROM COOKING SURFACE: 21"-24"**

MODEL NO.	WIDTH	PAINTED	STAINLESS	#LTS
WITH SINGLE BLOWER (250 CFM)				
PRH6-K24	24	623	749	2
PRH6-K30	30	623	749	2
PRH6-K36	36	623	749	2
PRH6-K42	42	731	906	3

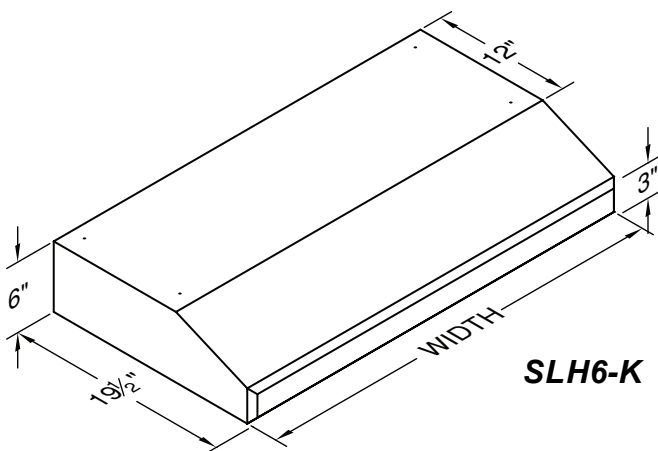


**PRODUCT FEATURES**

- 250 CFM (375 EQUIVALENT)
- BACK VENT OR TOP VENT
- STANDARD SIZES ONLY, NO CUSTOMIZATIONS
- PAINTED FINISHES INCLUDE BISCUIT, BLACK, GUNSMOKE, AND WHITE

**RECOMMENDED MOUNTING HEIGHT FROM COOKING SURFACE: 21"-24"**

MODEL NO.	WIDTH	PAINTED	STAINLESS	#LTS
WITH SINGLE BLOWER (250 CFM)				
SLH6-K24	24	623	749	2
SLH6-K30	30	623	749	2
SLH6-K36	36	623	749	2
SLH6-K42	42	731	906	3



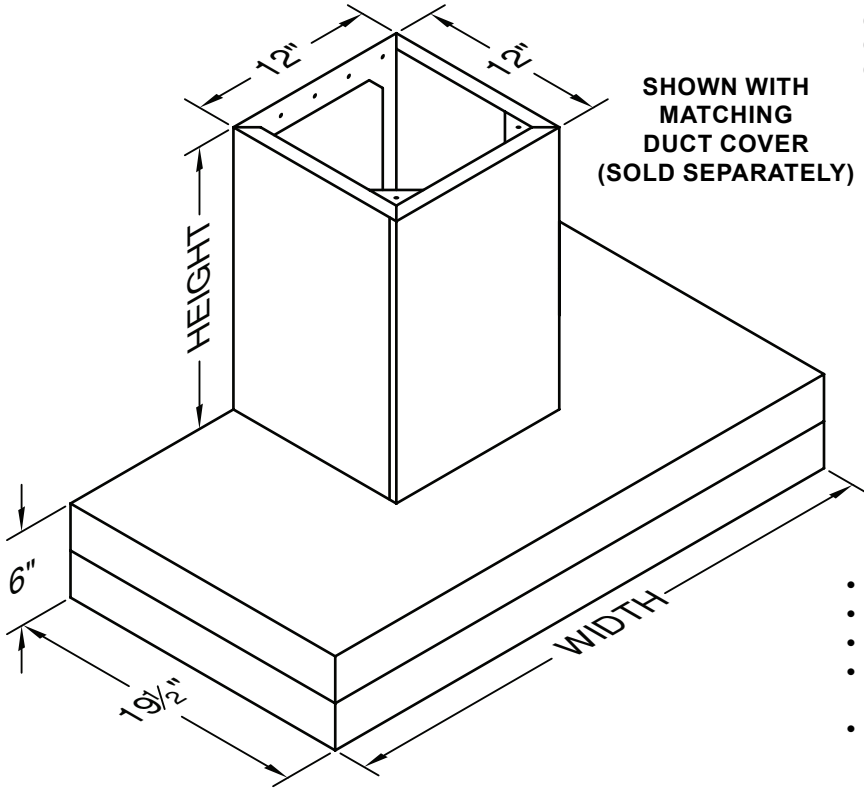
**PRODUCT FEATURES**

- 250 CFM (375 EQUIVALENT)
- BACK VENT OR TOP VENT
- STANDARD SIZES ONLY, NO CUSTOMIZATIONS
- PAINTED FINISHES INCLUDE BISCUIT, BLACK, GUNSMOKE, AND WHITE



# CWEH6-K CONTEMPORARY WALL MOUNT RANGE HOOD

**RECOMMENDED MOUNTING HEIGHT FROM COOKING SURFACE: 24"**

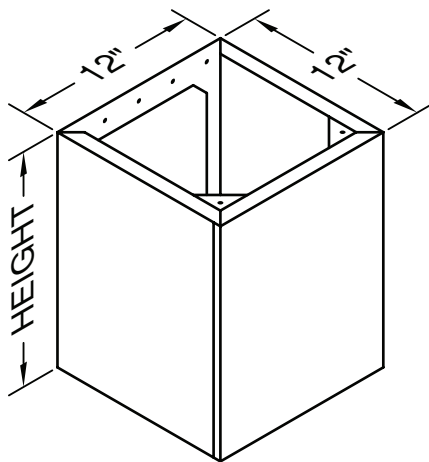


MODEL NO.	WIDTH	PAINTED	STAINLESS	#LTS
WITH SINGLE BLOWER (250 CFM)				
CWEH6-K30	30	1121	1424	2
CWEH6-K36	36	1121	1424	2
CWEH6-K42	42	1309	1666	3
CWEH6-K48	48	1373	1730	3

SHOWN WITH MATCHING DUCT COVER (SOLD SEPARATELY)

### PRODUCT FEATURES

- 250 CFM (375 EQUIVALENT)
- TOP VENT ONLY
- STANDARD SIZES ONLY, NO CUSTOMIZATIONS
- PAINTED FINISHES INCLUDE BISCUIT, BLACK, GUNSMOKE, AND WHITE
- DUCT COVER HAS A REMOVABLE FRONT PANEL



MODEL NO.	WIDTH	PAINTED	STAINLESS	CLG.
W6DCRND-12/18	12	527	594	7'
W6DCRND-12/30	12	600	711	8'
W6DCRND-12/42	12	672	829	9'

WDCRND MODELS INCLUDE A REMOVABLE FRONT PANEL.

### CUSTOM WALL MOUNT DUCT COVERS

	PAINTED	STAINLESS
WIDTH x HEIGHT x PLUS	0.54	0.88
	597	

ANY WDCRND SS DUCT COVER MORE THAN 45" TALL WILL HAVE A VERTICAL GRAIN DIRECTION.

WDCRND DUCT COVERS HAVE A REMOVABLE FRONT PANEL.

### FINISHED TOP

	PAINTED	STAINLESS
WIDTH x DEPTH x PLUS	0.54	0.88
	263	

### SLOPED TOP ON DUCT COVER

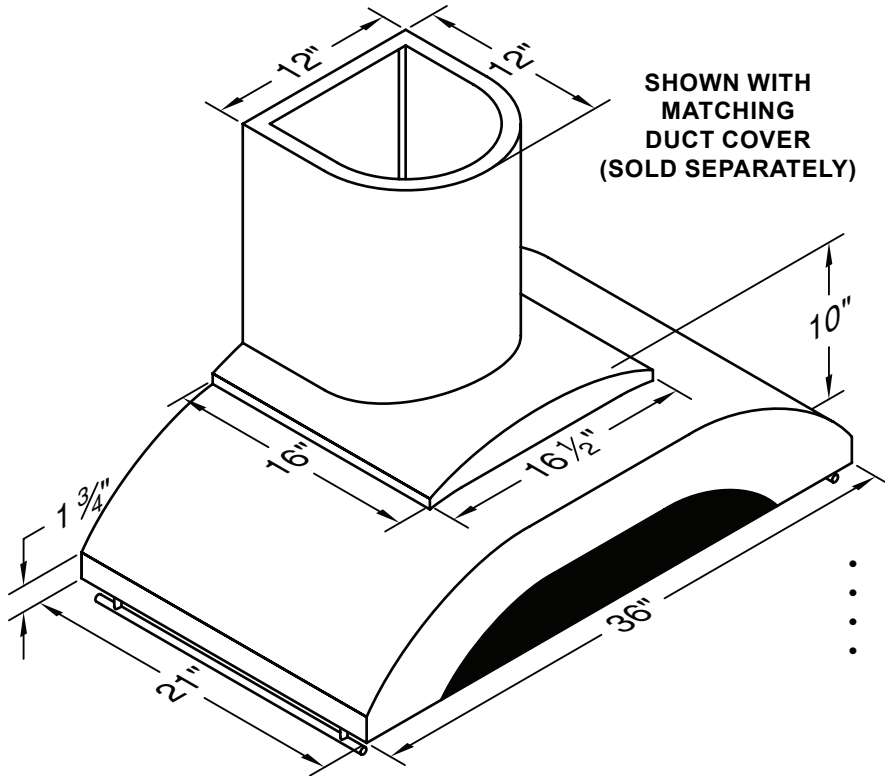
ADD	450
-----	-----

SPECIFY FRONT TO BACK OR LEFT TO RIGHT DIMENSIONS.

# GTH-K CONTEMPORARY WALL MOUNT RANGE HOOD

**RECOMMENDED MOUNTING HEIGHT  
FROM COOKING SURFACE: 24"**

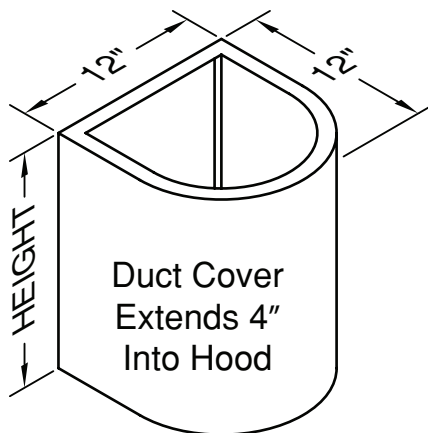
MODEL NO.	WIDTH	STAINLESS	#LTS
WITH SINGLE BLOWER (250 CFM)			
GTH-K36	36	1373	2



**PRODUCT FEATURES**

- 250 CFM (375 EQUIVALENT)
- TOP VENT ONLY
- STANDARD SIZES ONLY, NO CUSTOMIZATIONS
- STAINLESS STEEL ONLY

GTH VARIATIONS	
REMOVE FIXED LENGTH SS RAIL	
ADD	263



MODEL NO.	WIDTH	STAINLESS	CLG.
WGDC-12/18	12	640	7'
WGDC-12/30	12	770	8'
WGDC-12/42	12	901	9'

**CUSTOM WALL MOUNT DUCT COVERS**

STAINLESS	
WIDTH x HEIGHT x	0.88
PLUS	450

NOTE: DUCT COVER EXTENDS 4" INTO HOOD.

NOTE: WHEN PRICING CUSTOM DUCT COVERS, INCLUDE THE 4" OF DUCT COVER THAT EXTENDS INTO TOP OF HOOD.

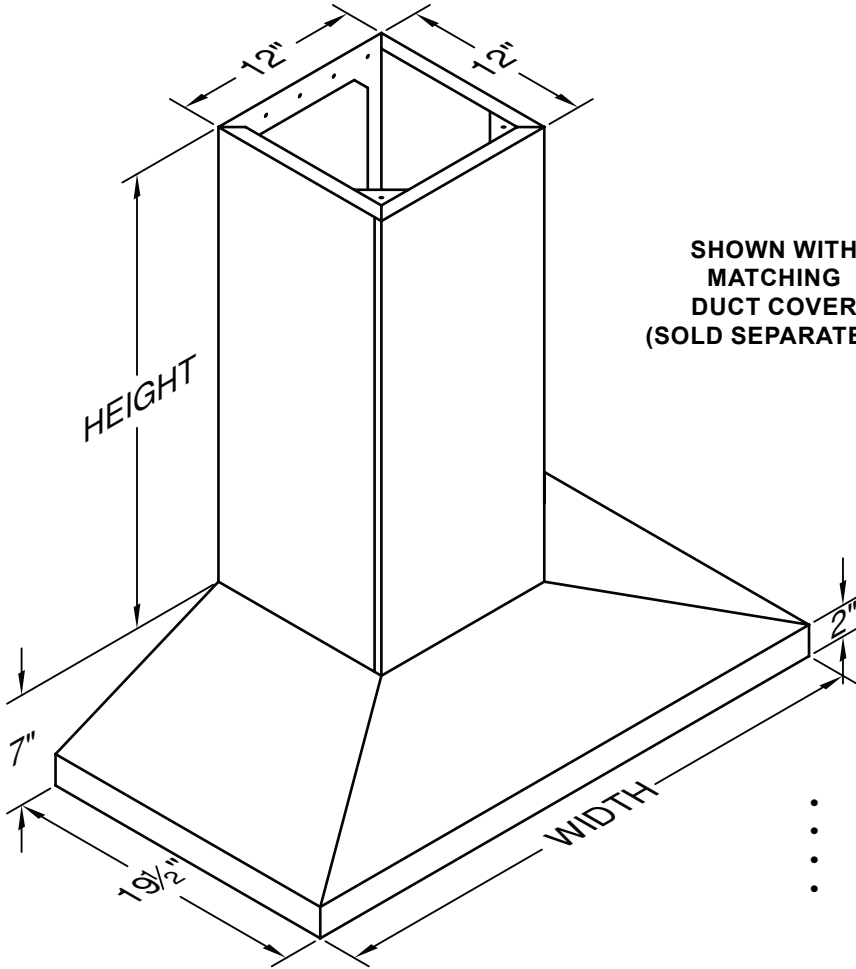
NOTE: MAXIMUM OVERALL AVAILABLE HEIGHT IS 60"; 56" IS THE FINISHED HEIGHT ABOVE THE TOP OF THE HOOD. WGDC DUCT COVERS WITH AN OVERALL FINISHED HEIGHT MORE THAN 48" TALL WILL HAVE A VERTICAL GRAIN DIRECTION.



# PDH7-K EURO-STYLE WALL MOUNT RANGE HOOD

**RECOMMENDED MOUNTING HEIGHT  
FROM COOKING SURFACE: 24"**

MODEL NO.	WIDTH	PAINTED	STAINLESS	#LTS
WITH SINGLE BLOWER (250 CFM)				
PDH7-K30	30	1121	1424	2
PDH7-K36	36	1121	1424	2



**SHOWN WITH  
MATCHING  
DUCT COVER  
(SOLD SEPARATELY)**

**PRODUCT FEATURES**

- 250 CFM (375 EQUIVALENT)
- TOP VENT ONLY
- STANDARD SIZES ONLY, NO CUSTOMIZATIONS
- PAINTED FINISHES INCLUDE BISCUIT, BLACK, GUNSMOKE, AND WHITE

MODEL NO.	WIDTH	PAINTED	STAINLESS	CLG.
W7DCRND-12/17	12	523	582	7'
W7DCRND-12/29	12	598	699	8'
W7DCRND-12/41	12	670	816	9'

W7DCRND MODELS INCLUDE A REMOVABLE FRONT PANEL.

**CUSTOM WALL MOUNT DUCT COVERS**

	PAINTED	STAINLESS
WIDTH x HEIGHT x PLUS	0.54	0.88
		450

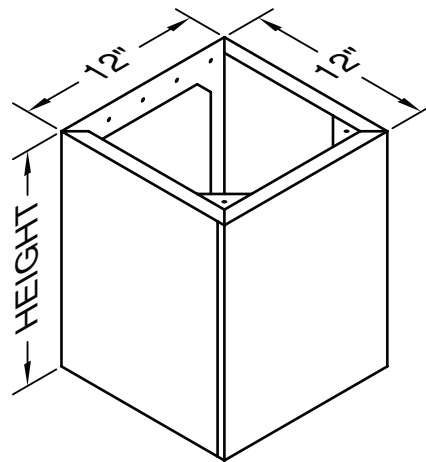
ANY W7DCRND-12 SS DUCT COVER MORE THAN 45" TALL WILL HAVE A VERTICAL GRAIN DIRECTION.

**FINISHED TOP**

	PAINTED	STAINLESS
WIDTH x DEPTH x PLUS	0.54	0.88
		263

**SLOPED TOP ON DUCT COVER**

ADD 450  
SPECIFY FRONT TO BACK OR LEFT TO RIGHT DIMENSIONS.

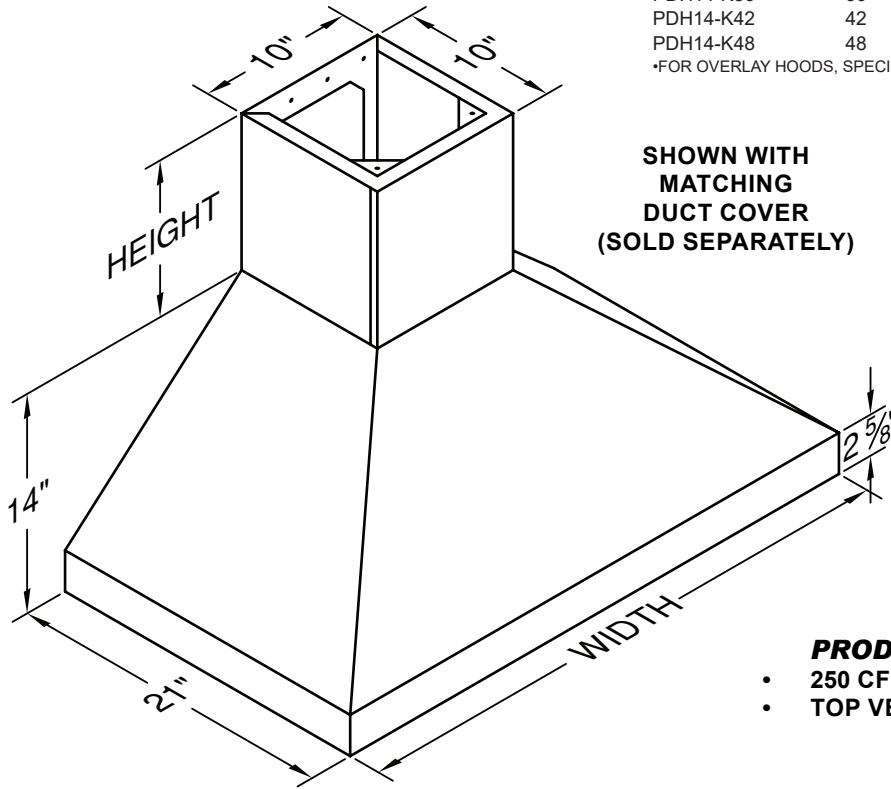


# PDH14-K EURO-STYLE WALL MOUNT RANGE HOOD

**RECOMMENDED MOUNTING HEIGHT FROM COOKING SURFACE: 24"**

MODEL NO.	WIDTH	PAINTED	STAINLESS	OVERLAY*	#LTS	INCL.
WITH SINGLE BLOWER (250 CFM)						
PDH14-K30	30	1234	1706	2453	2	VP521
PDH14-K36	36	1259	1745	2545	2	VP521
PDH14-K42	42	1325	1873	2781	3	VP521
PDH14-K48	48	1386	1942	2926	3	VP521

\*FOR OVERLAY HOODS, SPECIFY INTERIOR COLOR



SHOWN WITH MATCHING DUCT COVER (SOLD SEPARATELY)

- PRODUCT FEATURES**
- 250 CFM (375 EQUIVALENT)
  - TOP VENT ONLY

MODEL NO.	WIDTH	PAINTED	STAINLESS	OVERLAY	CLG.
WDCRND-10/10	10	459	499	539	7'
WDCRND-10/22	10	526	594	689	8'
WDCRND-10/34	10	594	689	836	9'

WDCRND MODELS INCLUDE A REMOVABLE FRONT PANEL.

**CUSTOM WALL MOUNT DUCT COVERS**

	PAINTED	STAINLESS	OVERLAY
WIDTH x HEIGHT x PLUS	0.54	0.88	1.37
		450	

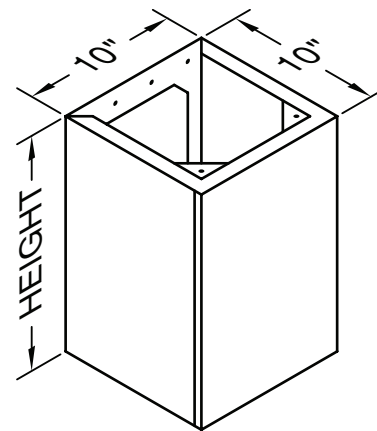
ANY WDCRND-10 SS DUCT COVER MORE THAN 45" TALL WILL HAVE A VERTICAL GRAIN DIRECTION.

**FINISHED TOP**

	PAINTED	STAINLESS	OVERLAY
WIDTH x DEPTH x PLUS	0.54	0.88	1.37
		263	

**SLOPED TOP ON DUCT COVER**

ADD 450  
SPECIFY FRONT TO BACK OR LEFT TO RIGHT DIMENSIONS.



**PDH14-K EURO-STYLE WALL MOUNT HOOD VARIATIONS**

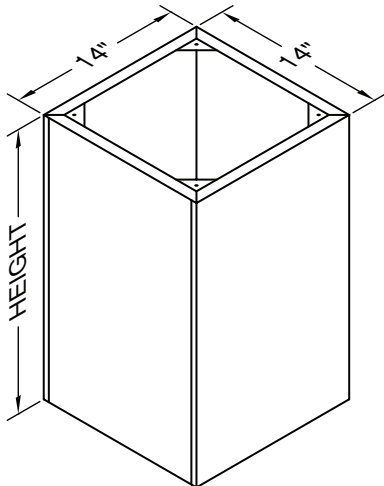
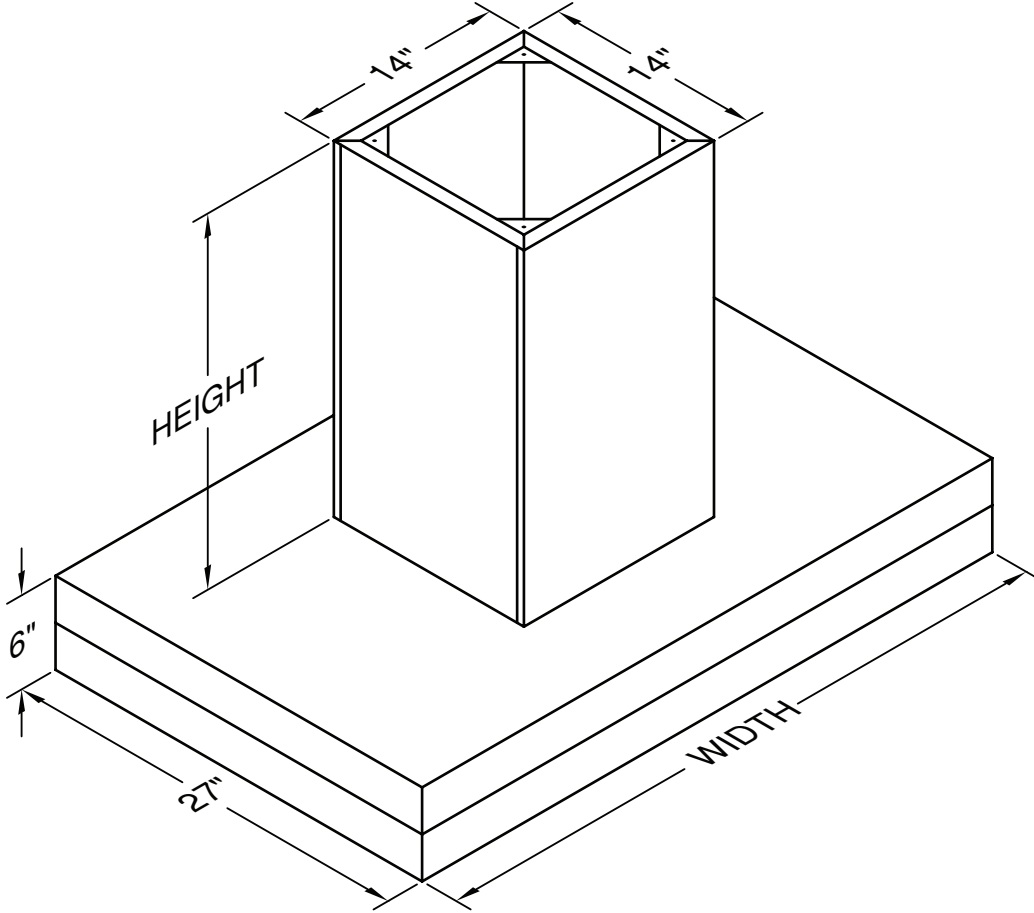
SPECIAL WIDTH (LESS THAN 48") USE NEXT LARGEST SIZE ON PRICE LIST, PLUS 263	STAINLESS STEEL INTERIOR ON OVERLAY HOOD SUBTRACT PAINTED PRICE OF HOOD FROM STAINLESS PRICE OF HOOD		
	CUSTOM COLOR (SEE CUSTOM COLOR CHART) ADD 822		
DEPTH OVER 21"	PAINTED	STAINLESS	OVERLAY
WIDTH x EXTRA DEPTH x PLUS	1.30	1.91	2.60
		450	
TRIM OPTIONS SEE PAGES 74-75 FOR FINISH AND TRIM OPTIONS			



# CIEH6-K CONTEMPORARY ISLAND RANGE HOOD

**RECOMMENDED MOUNTING HEIGHT  
FROM COOKING SURFACE: 30"  
TRANSITION INCLUDED SEPARATELY**

MODEL NO.	WIDTH	PAINTED	STAINLESS	#LTS
CIEH6-K36	36	1848	2737	4
CIEH6-K42	42	1947	2886	4



MODEL NO.	WIDTH	PAINTED	STAINLESS	CLG.
IDCRND-14/24	12	656	733	9'
IDCRND-14/36	12	770	887	10'

IDCRND MODELS INCLUDE REMOVABLE FRONT/REAR PANELS.

**CUSTOM WALL MOUNT DUCT COVERS**

	PAINTED	STAINLESS
WIDTH x HEIGHT x PLUS	0.54	0.88
		450

ANY IDCRND SS DUCT COVER MORE THAN 45" TALL WILL HAVE A VERTICAL GRAIN DIRECTION.

**FINISHED TOP**

	PAINTED	STAINLESS
WIDTH x DEPTH x PLUS	0.54	0.88
		263

**SLOPED TOP ON DUCT COVER**

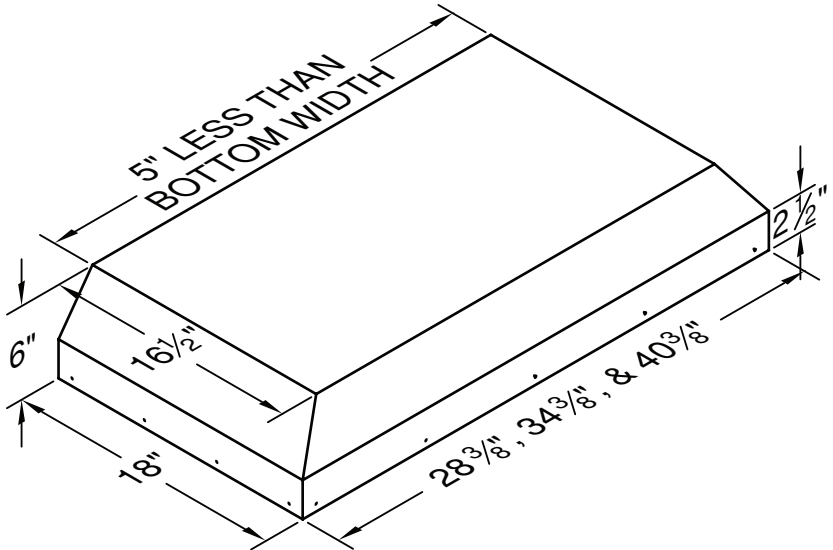
ADD	450
-----	-----

SPECIFY FRONT TO BACK OR LEFT TO RIGHT DIMENSIONS.



# KHSLD WALL MOUNT LINER INSERT

**RECOMMENDED MOUNTING HEIGHT  
FROM COOKING SURFACE: 21"-24"  
TRIM KIT NOT INCLUDED**



MODEL NO.	WIDTH	PAINTED	STAINLESS	#LTS
WITH SINGLE BLOWER (250 CFM)				
KH28SLD	28 3/8"	563	688	2
KH34SLD	34 3/8"	563	688	2
KH40SLD	40 3/8"	668	806	2

**OPTIONAL TRIM KITS**

MODEL NO.	WIDTH	PAINTED	STAINLESS
TKK28SLD	28-3/8"	25.00	25.00
TKK34SLD	34-3/8"	25.00	25.00
TKK40SLD	40-3/8"	26.00	26.00

**PRODUCT FEATURES**

- 250 CFM (375 EQUIVALENT)
- BACK VENT OR TOP VENT
- STANDARD SIZES ONLY, NO CUSTOMIZATIONS
- PAINTED FINISHES INCLUDE BISCUIT, BLACK, GUNSMOKE, AND WHITE



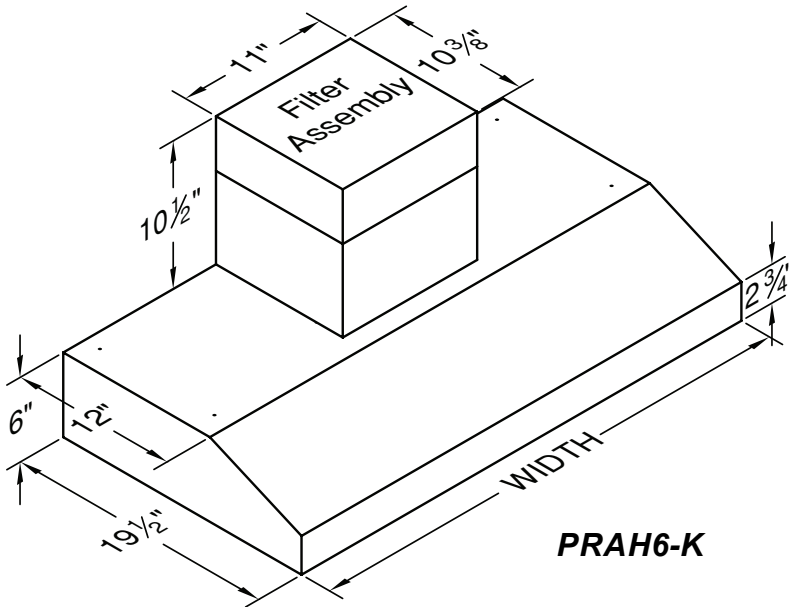
*Vent-A-Hood*®

# ARS Duct Free Range Hoods



# ARS DUCT FREE UNDER CABINET RANGE HOODS

**RECOMMENDED MOUNTING HEIGHT FROM COOKING SURFACE: 21"-24"**



MODEL NO.	WIDTH	PAINTED	STAINLESS	#LTS
PRAH6-K24	24	635	763	2
PRAH6-K30	30	635	763	2
PRAH6-K36	36	635	763	2
PRAH6-K42	42	745	923	3

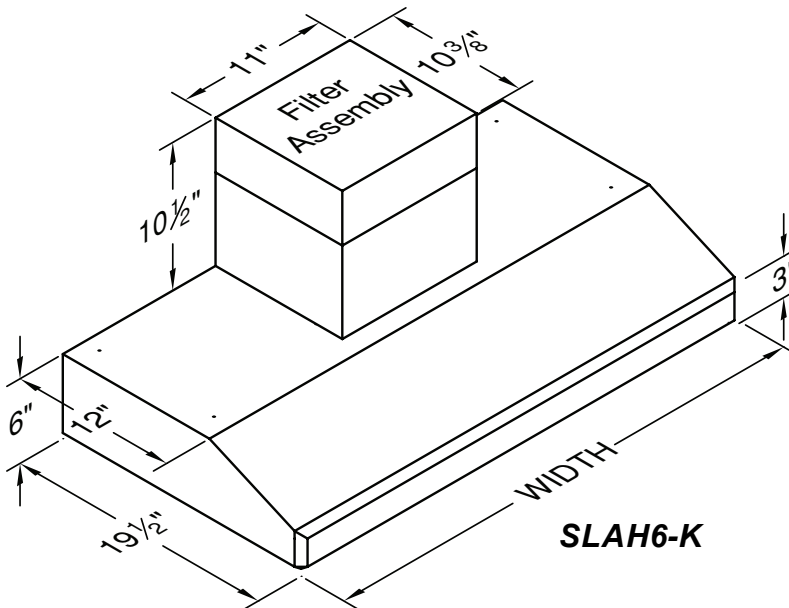
SHOWN WITH MATCHING ARSLP-12/10 FILTER KIT (SOLD SEPARATELY)

REMOVABLE ENCLOSURE ACCESS PANEL AND OUTLET PORTS WILL BE REQUIRED

ARS FILTER KIT REQUIRED FOR ONE APPLICATION

**PRODUCT FEATURES**

- STANDARD SIZES ONLY, NO CUSTOMIZATIONS
- PAINTED FINISHES INCLUDE BISCUIT, BLACK, GUNSMOKE, AND WHITE



MODEL NO.	WIDTH	PAINTED	STAINLESS	#LTS
SLAH6-K24	24	635	763	2
SLAH6-K30	30	635	763	2
SLAH6-K36	36	635	763	2
SLAH6-K42	42	745	923	3

SHOWN WITH MATCHING ARSLP-12/10 FILTER KIT (SOLD SEPARATELY)

REMOVABLE ENCLOSURE ACCESS PANEL AND OUTLET PORTS WILL BE REQUIRED

ARS FILTER KIT REQUIRED FOR ONE APPLICATION

**PRODUCT FEATURES**

- STANDARD SIZES ONLY, NO CUSTOMIZATIONS
- PAINTED FINISHES INCLUDE BISCUIT, BLACK, GUNSMOKE, AND WHITE

MODEL NO.	DESCRIPTION	PRICE
ARSLP-12/10	ARS Filter Assembly - Low Profile (Replaces ARSLP-12)	524

MODEL NO.	DESCRIPTION	PRICE
PARS-12/10	H.E. Filter Assembly (Replaces PARS-12)	450
PARS-C	Replacement Activated Carbon Pellets - 1 Gallon	74

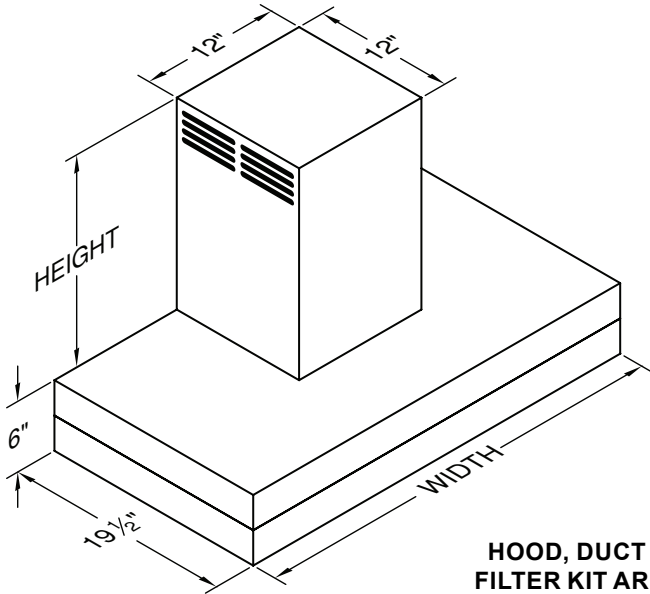
THE H.E. FILTER ASSEMBLY AND ACTIVATED CARBON MEDIA SHOULD BE CHANGED AS NEEDED BASED ON USAGE.



# CWEAH6-K ARS DUCT FREE RANGE HOOD

**RECOMMENDED MOUNTING HEIGHT FROM COOKING SURFACE: 24"**

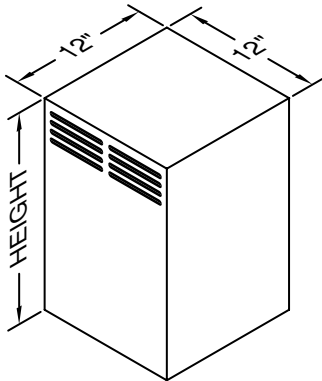
MODEL NO.	WIDTH	PAINTED	STAINLESS	#LTS
CWEAH6-K30	30	1042	1319	2
CWEAH6-K36	36	1042	1319	2
CWEAH6-K42	42	1207	1540	3
CWEAH6-K48	48	1264	1580	3



**SHOWN WITH MATCHING DUCT COVER AND ARS FILTER KIT (SOLD SEPARATELY)**

**DUCT COVER HAS A REMOVABLE FRONT PANEL AND A FINISHED TOP**

**HOOD, DUCT COVER, AND ARS FILTER KIT ARE EACH REQUIRED FOR ONE APPLICATION**



**DUCT COVER HAS A REMOVABLE FRONT PANEL AND A FINISHED TOP**

MODEL NO.	WIDTH	PAINTED	STAINLESS	CLG.
W6DCAND-12/18	12	689	741	7'
W6DCAND-12/30	12	754	849	8'
W6DCAND-12/42	12	822	944	9'

WDCAND MODELS INCLUDE A REMOVABLE FRONT PANEL.

MODEL NO.	DESCRIPTION	PRICE
ARS-12/10	ARS Filter Assembly for CWEAH6-K (Replaces ARS-12)	707

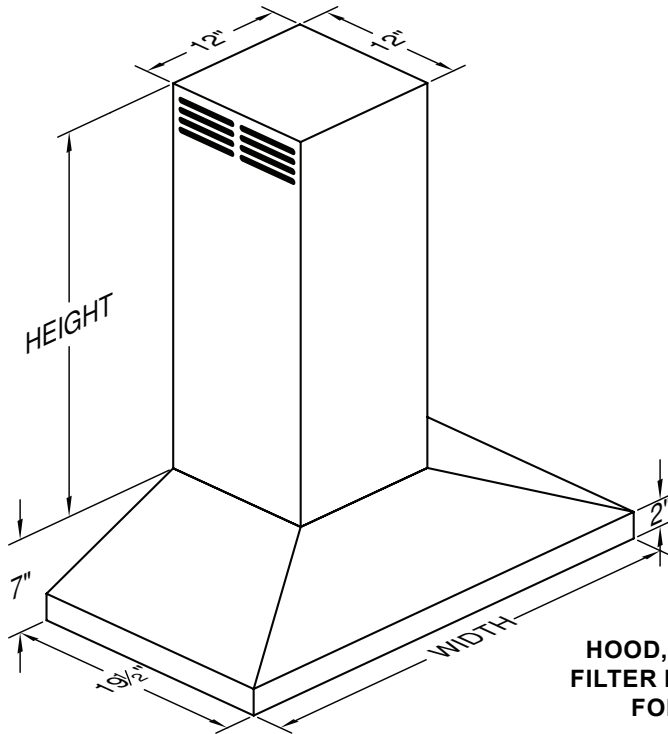
MODEL NO.	DESCRIPTION	PRICE
PARS-12/10	H.E. Filter Assembly (Replaces PARS-12)	450
PARS-C	Replacement Activated Carbon Pellets - 1 Gallon	74

THE H.E. FILTER ASSEMBLY AND ACTIVATED CARBON MEDIA SHOULD BE CHANGED AS NEEDED BASED ON USAGE.

# PDAH7-K ARS DUCT FREE RANGE HOOD

**RECOMMENDED MOUNTING HEIGHT  
FROM COOKING SURFACE: 24"**

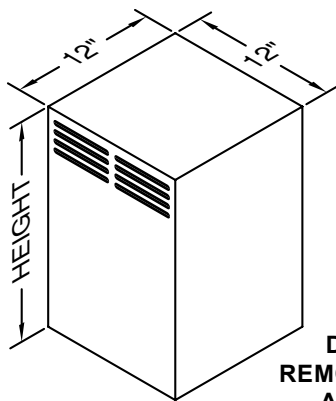
MODEL NO.	WIDTH	PAINTED	STAINLESS	#LTS
PDAH7-K30	30	1185	1506	2
PDAH7-K36	36	1185	1506	2



**SHOWN WITH MATCHING DUCT  
COVER AND ARSLP-12/10 FILTER  
KIT (SOLD SEPARATELY)**

**DUCT COVER HAS A  
REMOVABLE FRONT PANEL  
AND A FINISHED TOP**

**HOOD, DUCT COVER, AND ARS  
FILTER KIT ARE EACH REQUIRED  
FOR ONE APPLICATION**



**DUCT COVER HAS A  
REMOVABLE FRONT PANEL  
AND A FINISHED TOP**

MODEL NO.	WIDTH	PAINTED	STAINLESS	CLG.
W7DCAND-12/17	12	682	733	7'
W7DCAND-12/29	12	749	841	8'
W7DCAND-12/41	12	817	935	9'

W7DCAND MODELS INCLUDE A REMOVABLE FRONT PANEL.

MODEL NO.	DESCRIPTION	PRICE
ARSLP-12/10	ARS Filter Assembly - Low Profile (Replaces ARSLP-12)	524

MODEL NO.	DESCRIPTION	PRICE
PARS-12/10	H.E. Filter Assembly (Replaces PARS-12)	450
PARS-C	Replacement Activated Carbon Pellets - 1 Gallon	74

THE H.E. FILTER ASSEMBLY AND ACTIVATED CARBON MEDIA SHOULD BE CHANGED AS NEEDED BASED ON USAGE.

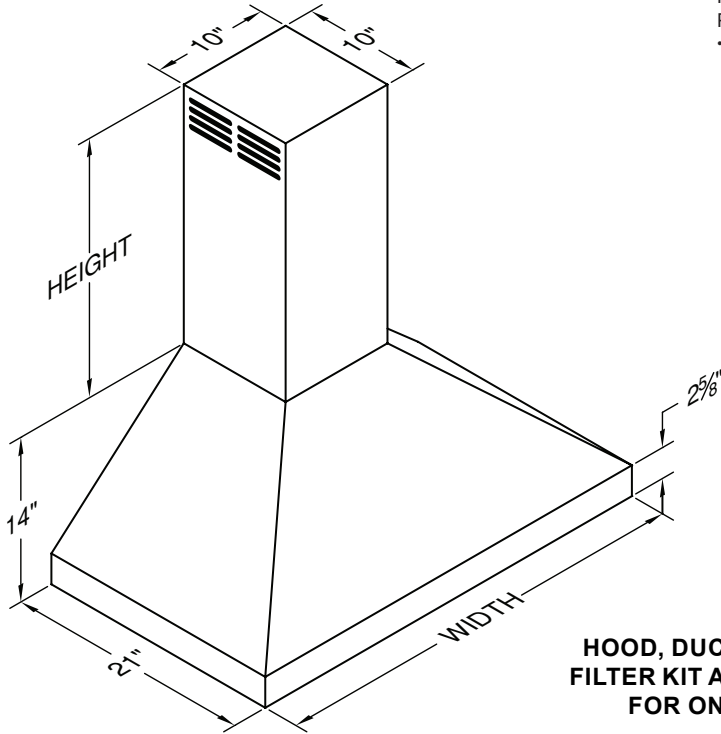


# PDAH14-K ARS DUCT FREE RANGE HOOD

**RECOMMENDED MOUNTING HEIGHT FROM COOKING SURFACE: 24"**

MODEL NO.	WIDTH	PAINTED	STAINLESS	OVERLAY*	#LTS
PDAH14-K30	30	1305	1803	2593	2
PDAH14-K36	36	1331	1844	2690	2
PDAH14-K42	42	1400	1980	2940	3
PDAH14-K48	48	1466	2053	3093	3

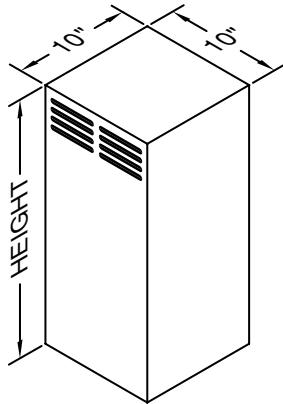
\*FOR OVERLAY HOODS, SPECIFY INTERIOR COLOR



**SHOWN WITH MATCHING DUCT COVER AND ARS FILTER KIT (SOLD SEPARATELY)**

**DUCT COVER HAS A REMOVABLE FRONT PANEL AND A FINISHED TOP**

**HOOD, DUCT COVER, AND ARS FILTER KIT ARE EACH REQUIRED FOR ONE APPLICATION**



**DUCT COVER HAS A REMOVABLE FRONT PANEL AND A FINISHED TOP**

MODEL NO.	WIDTH	PAINTED	STAINLESS	OVERLAY	CLG.
WDCAND-10/22	10	689	754	836	8'
WDCAND-10/34	10	741	836	972	9'

WDCAND MODELS INCLUDE A REMOVABLE FRONT PANEL.

MODEL NO.	DESCRIPTION	PRICE
ARS-10	ARS Filter Assembly for PDAH14-K	707

MODEL NO.	DESCRIPTION	PRICE
PARS-10	10" x 10" Replacement H.E. Filter Assembly	450
PARS-C	Replacement Activated Carbon Pellets - 1 Gallon	74

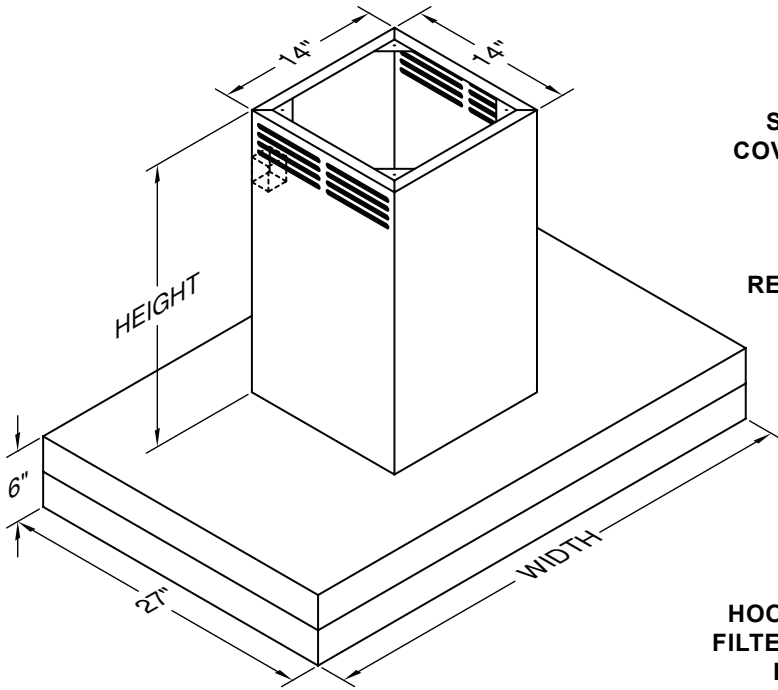
THE H.E. FILTER ASSEMBLY AND ACTIVATED CARBON MEDIA SHOULD BE CHANGED AS NEEDED BASED ON USAGE.



# CIEAH6-K ARS DUCT FREE ISLAND RANGE HOOD

**RECOMMENDED MOUNTING HEIGHT  
FROM COOKING SURFACE: 30"**

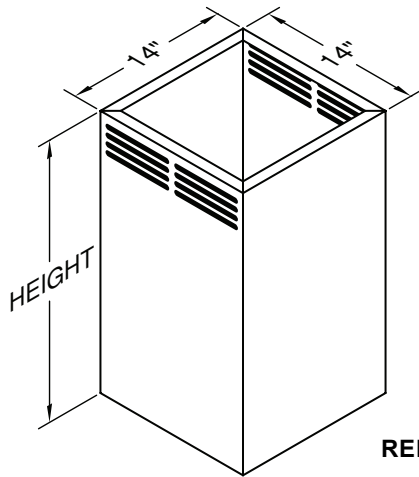
MODEL NO.	WIDTH	PAINTED	STAINLESS	#LTS
CIEAH6-K36	36	1884	2511	4
CIEAH6-K42	42	1984	2647	4



**SHOWN WITH MATCHING DUCT  
COVER AND ARSLP-12/10 FILTER KIT  
(SOLD SEPARATELY)**

**DUCT COVER HAS A  
REMOVABLE FRONT PANEL**

**HOOD, DUCT COVER, AND ARS  
FILTER KIT ARE EACH REQUIRED  
FOR ONE APPLICATION**



**DUCT COVER HAS A  
REMOVABLE FRONT PANEL**

MODEL NO.	WIDTH	PAINTED	STAINLESS	CLG.
IDCAND-14/24	14	797	876	8'
IDCAND-14/36	14	912	1029	9'

IDCAND MODELS INCLUDE REMOVABLE FRONT/REAR PANELS.

MODEL NO.	DESCRIPTION	PRICE
ARSLP-12/10	ARS Filter Assembly - Low Profile (Replaces ARSLP-12)	524

MODEL NO.	DESCRIPTION	PRICE
PARS-12/10	H.E. Filter Assembly (Replaces PARS-12)	450
PARS-C	Replacement Activated Carbon Pellets - 1 Gallon	74

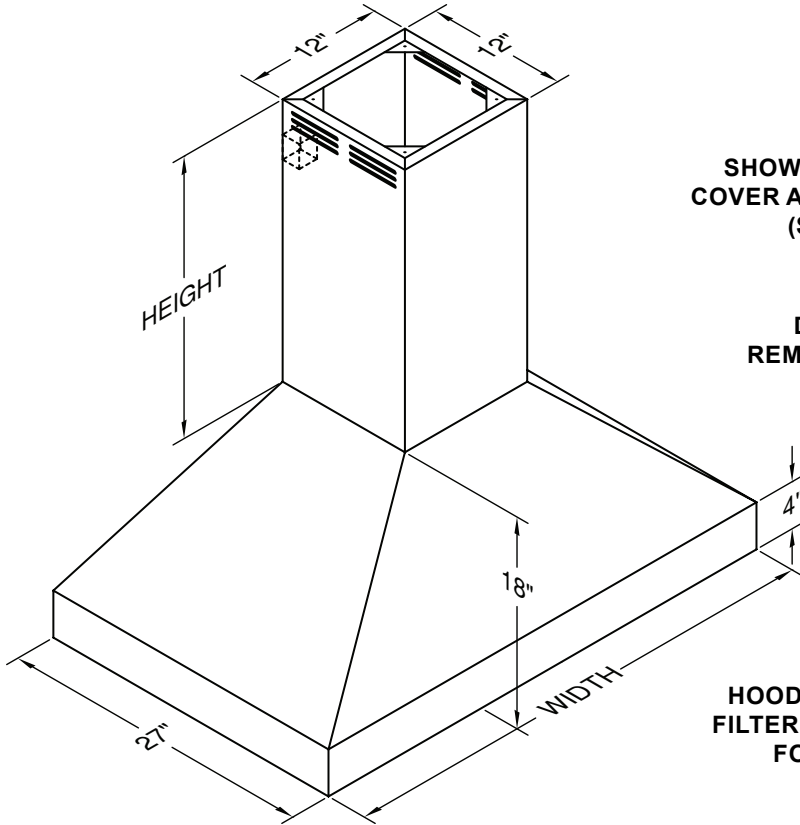
THE H.E. FILTER ASSEMBLY AND ACTIVATED CARBON MEDIA SHOULD BE CHANGED AS NEEDED BASED ON USAGE.



# PYDAH18-K ARS DUCT FREE ISLAND RANGE HOOD

**RECOMMENDED MOUNTING HEIGHT  
FROM COOKING SURFACE: 30"**

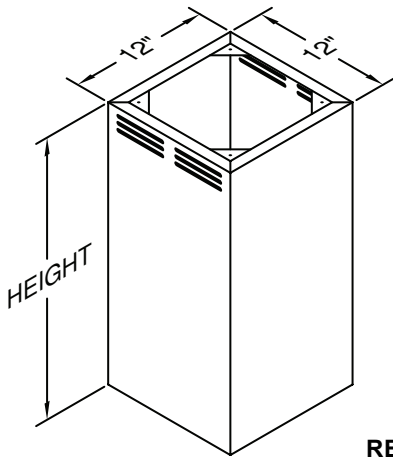
MODEL NO.	WIDTH	PAINTED	STAINLESS	#LTS
PYDAH18-K36	36	3106	4227	4
PYDAH18-K42	42	3239	4405	4



**SHOWN WITH MATCHING DUCT  
COVER AND ARSLP-12/10 FILTER KIT  
(SOLD SEPARATELY)**

**DUCT COVER HAS A  
REMOVABLE FRONT PANEL**

**HOOD, DUCT COVER, AND ARS  
FILTER KIT ARE EACH REQUIRED  
FOR ONE APPLICATION**



**DUCT COVER HAS A  
REMOVABLE FRONT PANEL**

MODEL NO.	WIDTH	PAINTED	STAINLESS	CLG.
IDCAND-12/24	12	769	866	9'
IDCAND-12/36	12	838	962	10'

IDCAND MODELS INCLUDE REMOVABLE FRONT/REAR PANELS.

MODEL NO.	DESCRIPTION	PRICE
ARSLP-12/10	ARS Filter Assembly - Low Profile (Replaces ARSLP-12)	524

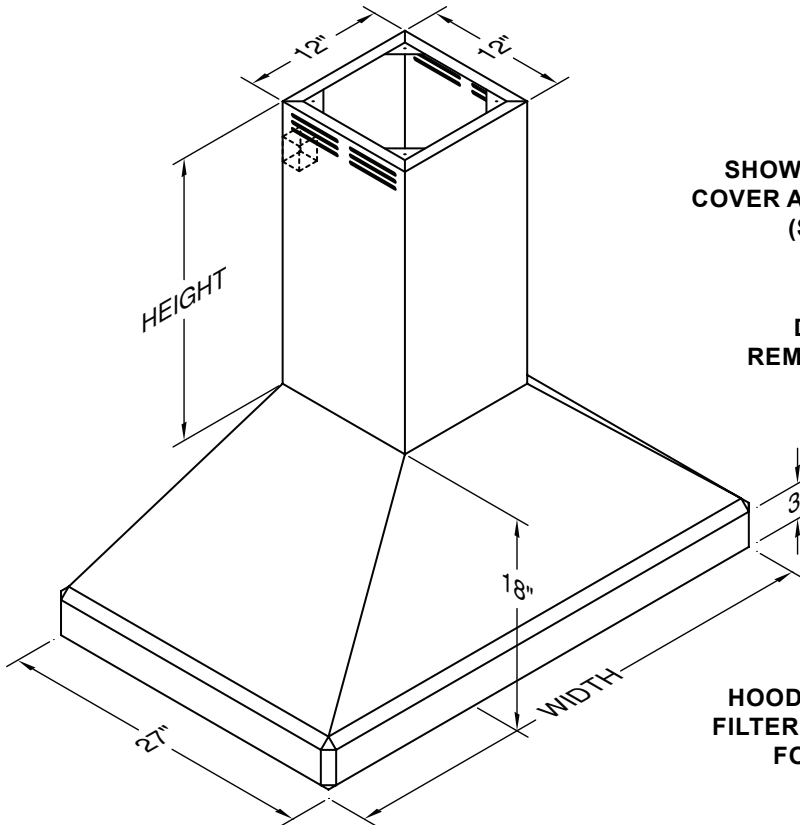
MODEL NO.	DESCRIPTION	PRICE
PARS-12/10	H.E. Filter Assembly (Replaces PARS-12)	450
PARS-C	Replacement Activated Carbon Pellets - 1 Gallon	74

THE H.E. FILTER ASSEMBLY AND ACTIVATED CARBON MEDIA SHOULD BE CHANGED AS NEEDED BASED ON USAGE.

# ISDAH18-K ARS DUCT FREE ISLAND RANGE HOOD

**RECOMMENDED MOUNTING HEIGHT  
FROM COOKING SURFACE: 30"**

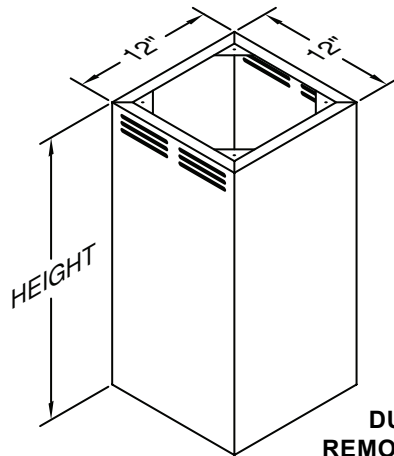
MODEL NO.	WIDTH	PAINTED	STAINLESS	#LTS
ISDAH18-K36	36	3679	4832	4
ISDAH18-K42	42	3810	5010	4



**SHOWN WITH MATCHING DUCT  
COVER AND ARSLP-12/10 FILTER KIT  
(SOLD SEPARATELY)**

**DUCT COVER HAS A  
REMOVABLE FRONT PANEL**

**HOOD, DUCT COVER, AND ARS  
FILTER KIT ARE EACH REQUIRED  
FOR ONE APPLICATION**



**DUCT COVER HAS A  
REMOVABLE FRONT PANEL**

MODEL NO.	WIDTH	PAINTED	STAINLESS	CLG.
IDCAND-12/24	12	769	866	9'
IDCAND-12/36	12	838	962	10'

IDCAND MODELS INCLUDE REMOVABLE FRONT/REAR PANELS.

MODEL NO.	DESCRIPTION	PRICE
ARSLP-12/10	ARS Filter Assembly - Low Profile (Replaces ARSLP-12)	524

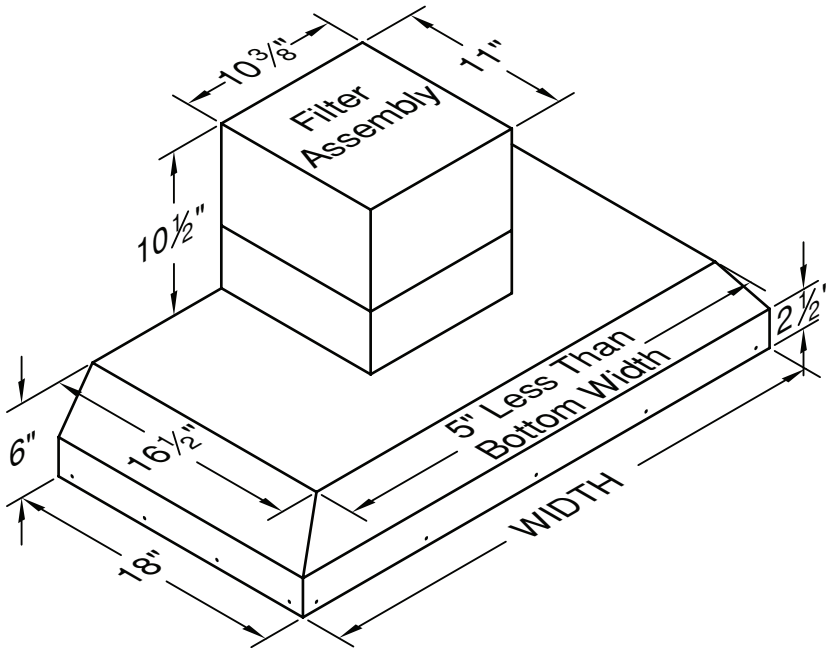
MODEL NO.	DESCRIPTION	PRICE
PARS-12/10	H.E. Filter Assembly (Replaces PARS-12)	450
PARS-C	Replacement Activated Carbon Pellets - 1 Gallon	74

THE H.E. FILTER ASSEMBLY AND ACTIVATED CARBON MEDIA SHOULD BE CHANGED AS NEEDED BASED ON USAGE.



# KAHSLD ARS DUCT FREE WALL MOUNT LINER INSERT

**RECOMMENDED MOUNTING HEIGHT  
FROM COOKING SURFACE: 21"-24"  
TRIM KIT NOT INCLUDED**



MODEL NO.	WIDTH	PAINTED	STAINLESS	#LTS
KAH28SLD	28 3/8"	569	695	2
KAH34SLD	34 3/8"	569	695	2
KAH40SLD	40 3/8"	675	814	2

**OPTIONAL TRIM KITS**

MODEL NO.	WIDTH	PAINTED	STAINLESS
TKK28SLD	28-3/8"	25.00	25.00
TKK34SLD	34-3/8"	25.00	25.00
TKK40SLD	40-3/8"	26.00	26.00

**SHOWN WITH MATCHING  
ARSLP-12/10 FILTER KIT  
(SOLD SEPARATELY)**

**REMOVABLE ENCLOSURE  
ACCESS PANEL AND OUTLET  
PORTS WILL BE REQUIRED**

**ARS FILTER KIT REQUIRED  
FOR ONE APPLICATION**

MODEL NO.	DESCRIPTION	PRICE
ARSLP-12/10	ARS Filter Assembly - Low Profile (Replaces ARSLP-12)	524
MODEL NO.	DESCRIPTION	PRICE
PARS-12/10	H.E. Filter Assembly (Replaces PARS-12)	450
PARS-C	Replacement Activated Carbon Pellets - 1 Gallon	74

THE H.E. FILTER ASSEMBLY AND ACTIVATED CARBON MEDIA SHOULD BE CHANGED AS NEEDED BASED ON USAGE.

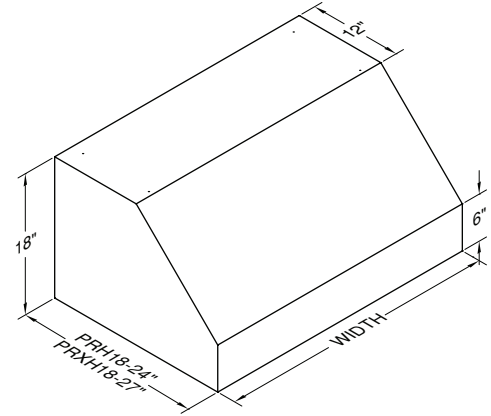
*Vent-A-Hood*®

**M Series  
Range Hoods**

# PRH18-M M LINE WALL MOUNT RANGE HOOD

MODEL	WIDTH	PRICE	LIGHTS	FILTERS
PRH18-M30 SS	30"	1374	2	2
PRH18-M36 SS	36"	1398	2	2
PRH18-M42 SS	42"	1511	2	2
PRH18-M48 SS	48"	1595	3	3
PRH18-M54 SS	54"	1950	4	3
PRH18-M60 SS	60"	2117	4	4
PRH18-M66 SS	66"	2261	4	4

FOR 27" DEEP MODEL, ORDER PRXH18-M (NO ADDITIONAL COST)  
 BLOWER SOLD SEPARATELY  
 STAINLESS STEEL BAFFLE FILTERS AND GU10 LED LIGHTING INCLUDED



## BLOWER OPTIONS

MODEL	CFM*	AMPS	PRICE	INCL.*	DUCT SIZE
M600	630	5.0	473	N/A	6" Round
M1200	1035	10.0	910	VP566	10" Round
WHM300*	300	5.0	16	N/A	N/A
WHM400*	400	5.0	16	N/A	N/A

+ CFM RATING IS AT 0.0" STATIC PRESSURE  
 \* VP566 TRANSITION IS PACKAGED SEPARATELY FROM M1200 BLOWER  
 \* HARNESS FOR USE WITH THE M600, LIMITS BLOWER TO 300 CFM  
 \* HARNESS FOR USE WITH THE M600, LIMITS BLOWER TO 400 CFM

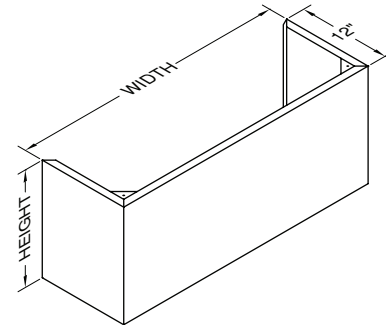


M600

M1200

## DUCT COVER OPTIONS

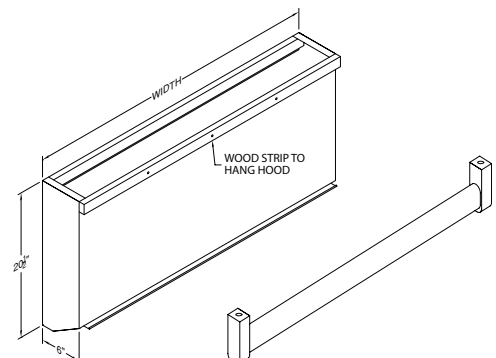
MODEL	WIDTH	PRICE	CEILING
WDCM-30 SS	30"	535	8'
WDCM-30/24 SS	30"	757	9'
WDCM-30/36 SS	30"	980	10'
WDCM-36 SS	36"	579	8'
WDCM-36/24 SS	36"	846	9'
WDCM-36/36 SS	36"	1110	10'
WDCM-42 SS	42"	625	8'
WDCM-42/24 SS	42"	936	9'
WDCM-42/36 SS	42"	1244	10'
WDCM-48 SS	48"	668	8'
WDCM-48/24 SS	48"	1023	9'
WDCM-48/36 SS	48"	1377	10'
WDCM-54 SS	54"	713	8'
WDCM-60 SS	60"	757	8'
WDCM-66 SS	66"	802	8'



## M LINE BBQ EXTENSION

MODEL	WIDTH	PRICE	WR RAIL	PRICE
BBE-M30 SS	30"	\$523	WR-M30	\$104
BBE-M36 SS	36"	\$615	WR-M36	\$116
BBE-M42 SS	42"	\$674	WR-M42	\$116
BBE-M48 SS	48"	\$721	WR-M48	\$123
BBE-M54 SS	54"	\$773	WR-M54	\$123
BBE-M60 SS	60"	\$825	WR-M60	\$123

NOTE: WR RAIL SOLD SEPARATELY  
 NOTE: FOR USE ON PRH18-M/PRXH18-M AND CXH18-M

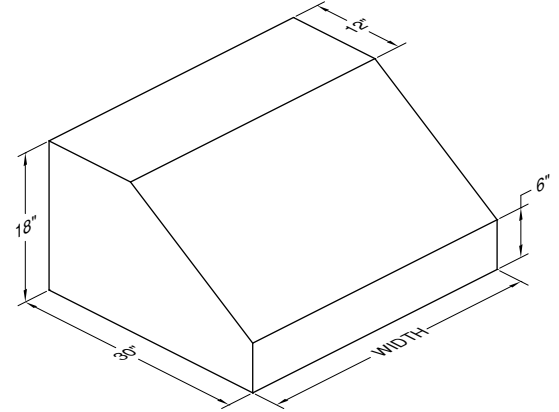




# PRH18-M 30"D M LINE WALL MOUNT RANGE HOOD

MODEL	WIDTH	PRICE	LIGHTS	FILTERS
PRH18-M36x30 SS	36"	2067	2	2
PRH18-M42x30 SS	42"	2274	2	2
PRH18-M48x30 SS	48"	2429	3	3
PRH18-M54x30 SS	54"	2862	4	3

BLOWER SOLD SEPARATELY  
 STAINLESS STEEL BAFFLE FILTERS AND GU10 LED LIGHTING INCLUDED



## BLOWER OPTIONS

MODEL	CFM*	AMPS	PRICE	INCL.*	DUCT SIZE
M600	630	5.0	473	N/A	6" Round
M1200	1035	10.0	910	VP566	10" Round
WHM300*	300	5.0	16	N/A	N/A
WHM400*	400	5.0	16	N/A	N/A

+ CFM RATING IS AT 0.0" STATIC PRESSURE  
 \* VP566 TRANSITION IS PACKAGED SEPARATELY FROM M1200 BLOWER  
 \* HARNESS FOR USE WITH THE M600, LIMITS BLOWER TO 300 CFM  
 \* HARNESS FOR USE WITH THE M600, LIMITS BLOWER TO 400 CFM

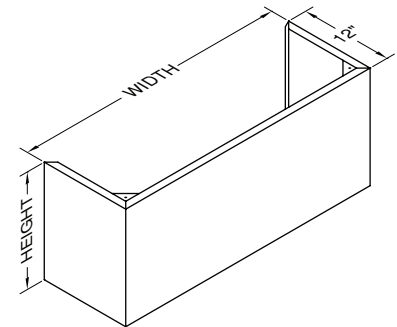


M600

M1200

## DUCT COVER OPTIONS

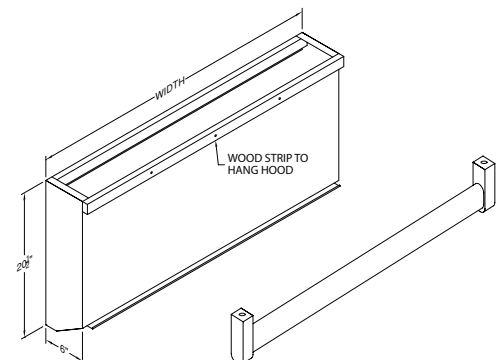
MODEL	WIDTH	PRICE	CEILING
WDCM-30 SS	30"	535	8'
WDCM-30/24 SS	30"	757	9'
WDCM-30/36 SS	30"	980	10'
WDCM-36 SS	36"	579	8'
WDCM-36/24 SS	36"	846	9'
WDCM-36/36 SS	36"	1110	10'
WDCM-42 SS	42"	625	8'
WDCM-42/24 SS	42"	936	9'
WDCM-42/36 SS	42"	1244	10'
WDCM-48 SS	48"	668	8'
WDCM-48/24 SS	48"	1023	9'
WDCM-48/36 SS	48"	1377	10'
WDCM-54 SS	54"	713	8'
WDCM-60 SS	60"	757	8'
WDCM-66 SS	66"	802	8'



## M LINE BBQ EXTENSION

MODEL	WIDTH	PRICE	WR RAIL	PRICE
BBE-M30 SS	30"	\$523	WR-M30	\$104
BBE-M36 SS	36"	\$615	WR-M36	\$116
BBE-M42 SS	42"	\$674	WR-M42	\$116
BBE-M48 SS	48"	\$721	WR-M48	\$123
BBE-M54 SS	54"	\$773	WR-M54	\$123
BBE-M60 SS	60"	\$825	WR-M60	\$123

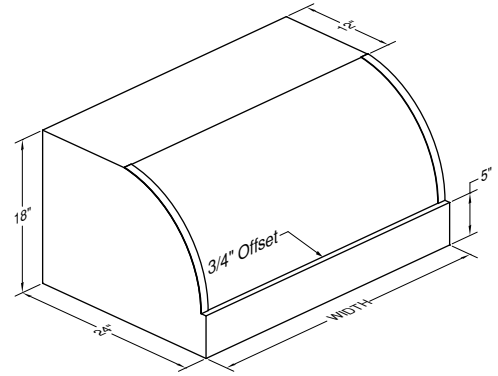
NOTE: WR RAIL SOLD SEPARATELY  
 NOTE: FOR USE ON PRH18-M/PRXH18-M AND CXH18-M



# CXH18-M M LINE WALL MOUNT RANGE HOOD

MODEL	WIDTH	PRICE	LIGHTS	FILTERS
CXH18-M30 SS	30"	1756	2	2
CXH18-M36 SS	36"	1780	2	2
CXH18-M42 SS	42"	1900	2	2
CXH18-M48 SS	48"	2043	3	3
CXH18-M54 SS	54"	2362	4	3
CXH18-M60 SS	60"	2541	4	4
CXH18-M66 SS	66"	2765	4	4

BLOWER SOLD SEPARATELY  
STAINLESS STEEL BAFFLE FILTERS AND GU10 LED LIGHTING INCLUDED



## BLOWER OPTIONS

MODEL	CFM*	AMPS	PRICE	INCL.†	DUCT SIZE
M600	630	5.0	473	N/A	6" Round
M1200	1035	10.0	910	VP566	10" Round
WHM300*	300	5.0	16	N/A	N/A
WHM400*	400	5.0	16	N/A	N/A

+ CFM RATING IS AT 0.0" STATIC PRESSURE  
• VP566 TRANSITION IS PACKAGED SEPARATELY FROM M1200 BLOWER  
\* HARNESS FOR USE WITH THE M600, LIMITS BLOWER TO 300 CFM  
\* HARNESS FOR USE WITH THE M600, LIMITS BLOWER TO 400 CFM

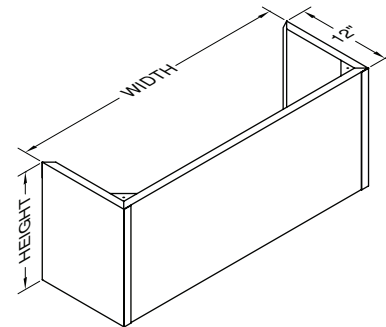


M600

M1200

## DUCT COVER OPTIONS

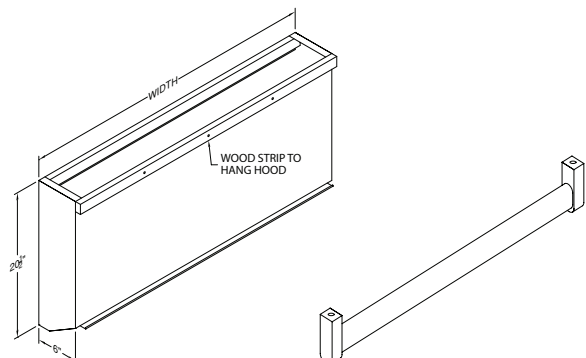
MODEL	WIDTH	PRICE	CEILING
XDCM-30 SS	30"	535	8'
XDCM-30/24 SS	30"	757	9'
XDCM-30/36 SS	30"	980	10'
XDCM-36 SS	36"	579	8'
XDCM-36/24 SS	36"	846	9'
XDCM-36/36 SS	36"	1110	10'
XDCM-42 SS	42"	625	8'
XDCM-42/24 SS	42"	936	9'
XDCM-42/36 SS	42"	1244	10'
XDCM-48 SS	48"	668	8'
XDCM-48/24 SS	48"	1023	9'
XDCM-48/36 SS	48"	1377	10'
XDCM-54 SS	54"	713	8'
XDCM-60 SS	60"	757	8'
XDCM-66 SS	66"	802	8'



## M LINE BBQ EXTENSION

MODEL	WIDTH	PRICE	WR RAIL	PRICE
BBE-M30 SS	30"	\$523	WR-M30	\$104
BBE-M36 SS	36"	\$615	WR-M36	\$116
BBE-M42 SS	42"	\$674	WR-M42	\$116
BBE-M48 SS	48"	\$721	WR-M48	\$123
BBE-M54 SS	54"	\$773	WR-M54	\$123
BBE-M60 SS	60"	\$825	WR-M60	\$123

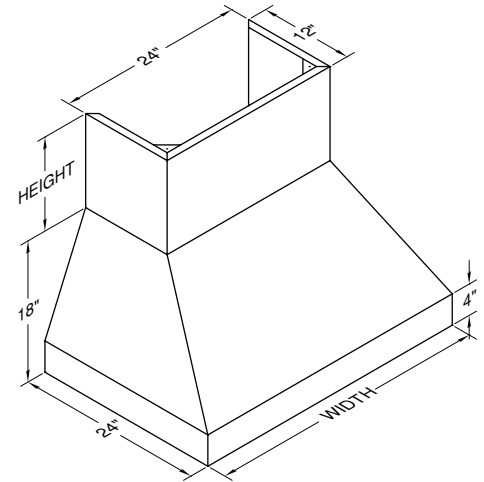
NOTE: WR RAIL SOLD SEPARATELY  
NOTE: FOR USE ON PRH18-M/PRXH18-M AND CXH18-M



# EPH18-M M LINE EURO WALL MOUNT RANGE HOOD

MODEL	WIDTH	PRICE	LIGHTS	FILTERS
EPH18-M36 SS	36"	1794	2	2
EPH18-M42 SS	42"	1965	3	2
EPH18-M48 SS	48"	2088	3	3

BLOWER SOLD SEPARATELY  
 STAINLESS STEEL BAFFLE FILTERS AND GU10 LED LIGHTING INCLUDED



## BLOWER OPTIONS

MODEL	CFM*	AMPS	PRICE	INCL.:	DUCT SIZE
M600	630	5.0	473	N/A	6" Round
M1200	1035	10.0	910	VP566	10" Round
WHM300*	300	5.0	16	N/A	N/A
WHM400*	400	5.0	16	N/A	N/A

- + CFM RATING IS AT 0.0" STATIC PRESSURE
- VP566 TRANSITION IS PACKAGED SEPARATELY FROM M1200 BLOWER
- \* HARNESS FOR USE WITH THE M600, LIMITS BLOWER TO 300 CFM
- \* HARNESS FOR USE WITH THE M600, LIMITS BLOWER TO 400 CFM

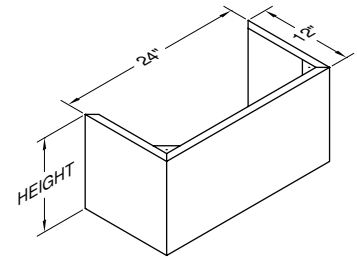


M600

M1200

## DUCT COVER OPTIONS

MODEL	WIDTH	PRICE	CEILING
WDCM-24 SS	24"	672	8'
WDCM-24/24 SS	24"	952	9'
WDCM-24/36 SS	24"	1143	10'

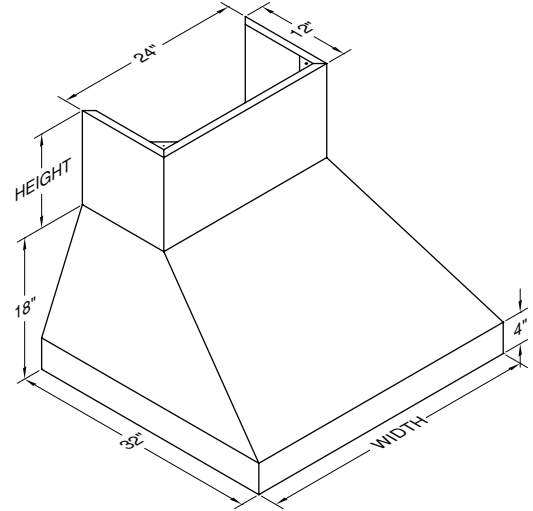


# EPH18-M 32" D M LINE EURO WALL MOUNT RANGE HOOD

MODEL	WIDTH	PRICE	LIGHTS	FILTERS
EPH18-M36X32 SS	36"	2635	2	2
EPH18-M42X32 SS	42"	2876	3	2
EPH18-M48X32 SS	48"	3065	3	3

BLOWER SOLD SEPARATELY

STAINLESS STEEL BAFFLE FILTERS AND GU10 LED LIGHTING INCLUDED



## BLOWER OPTIONS

MODEL	CFM*	AMPS	PRICE	INCL.:	DUCT SIZE
M600	630	5.0	473	N/A	6" Round
M1200	1035	10.0	910	VP566	10" Round
WHM300*	300	5.0	16	N/A	N/A
WHM400*	400	5.0	16	N/A	N/A

+ CFM RATING IS AT 0.0" STATIC PRESSURE

• VP566 TRANSITION IS PACKAGED SEPARATELY FROM M1200 BLOWER

\* HARNESS FOR USE WITH THE M600, LIMITS BLOWER TO 300 CFM

\* HARNESS FOR USE WITH THE M600, LIMITS BLOWER TO 400 CFM

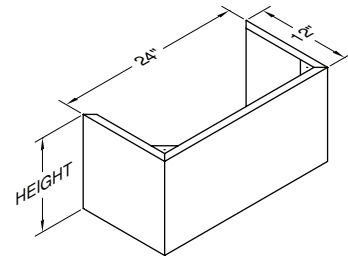


M600

M1200

## DUCT COVER OPTIONS

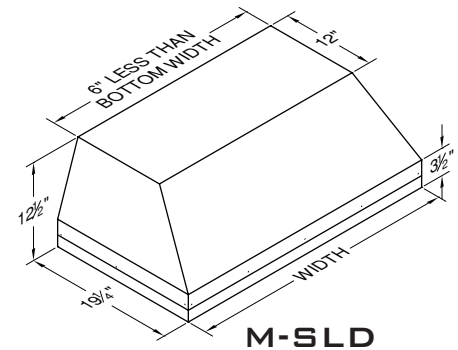
MODEL	WIDTH	PRICE	CEILING
WDCM-24 SS	24"	672	8'
WDCM-24/24 SS	24"	952	9'
WDCM-24/36 SS	24"	1143	10'



# M-SLD & M-PSLD M LINE WALL MOUNT LINER INSERTS

MODEL	WIDTH	PRICE	LIGHTS	FILTERS
M28SLD SS	28 3/8"	713	2	2
M34SLD SS	34 3/8"	713	2	2
M40SLD SS	40 3/8"	789	2	2
M46SLD SS	46 3/8"	978	3	3
M52SLD SS	52 3/8"	1698	3	3
M58SLD SS	58 3/8"	1798	4	4
M64SLD SS	64 3/8"	2052	4	4

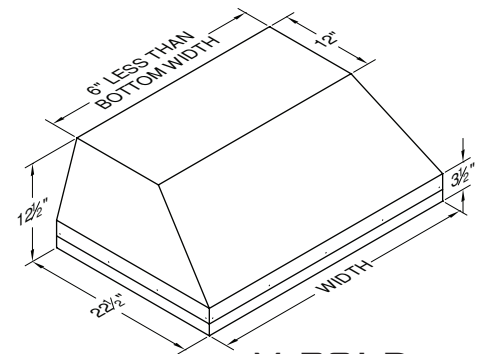
BLOWER SOLD SEPARATELY  
STAINLESS STEEL BAFFLE FILTERS AND GU10 LED LIGHTING INCLUDED



**M-SLD**

MODEL	WIDTH	PRICE	LIGHTS	FILTERS
M28PSLD SS	28 3/8"	713	2	2
M34PSLD SS	34 3/8"	713	2	2
M40PSLD SS	40 3/8"	789	2	2
M46PSLD SS	46 3/8"	978	3	3
M52PSLD SS	52 3/8"	1698	3	3
M58PSLD SS	58 3/8"	1798	4	4
M64PSLD SS	64 3/8"	2052	4	4

BLOWER SOLD SEPARATELY  
STAINLESS STEEL BAFFLE FILTERS AND GU10 LED LIGHTING INCLUDED



**M-PSLD**

## BLOWER OPTIONS

MODEL	CFM*	AMPS	PRICE	INCL.†	DUCT SIZE
M600	630	5.0	473	N/A	6" Round
M1200	1035	10.0	910	VP566	10" Round
WHM300*	300	5.0	16	N/A	N/A
WHM400*	400	5.0	16	N/A	N/A

- + CFM RATING IS AT 0.0" STATIC PRESSURE
- VP566 TRANSITION IS PACKAGED SEPARATELY FROM M1200 BLOWER
- \* HARNESS FOR USE WITH THE M600, LIMITS BLOWER TO 300 CFM
- \* HARNESS FOR USE WITH THE M600, LIMITS BLOWER TO 400 CFM



**M600**



**M1200**



# VENT-A-HOOD VENTING ACCESSORIES

**PRICES DO NOT INCLUDE SHIPPING & HANDLING CHARGES.**

WALL LOUVER			WALL LOUVER			WALL LOUVER			RECTANGULAR WALL LOUVER		
MODEL	DESCRIPTION	PRICE	MODEL	DESCRIPTION	PRICE	MODEL	DESCRIPTION	PRICE	MODEL	DESCRIPTION	PRICE
VP526	6" Round	\$62.07	VP554	10" Round	\$88.48	VP555	12" Round	\$88.48	VP538	6" x 8-1/2"	\$62.07
VP527	7" Round	\$62.07							VP560	3-1/4" x 10"	\$44.90
VP528	8" Round	\$62.07									
LOW PROFILE ROOF JACK (MAXIMUM 4/12 PITCH)			LOW PROFILE ROOF JACK (MAXIMUM 4/12 PITCH)			LOW PROFILE ROOF JACK (MINIMUM 4/12 PITCH)			LOW PROFILE ROOF JACK (MINIMUM 4/12 PITCH)		
MODEL	DESCRIPTION	PRICE	MODEL	DESCRIPTION	PRICE	MODEL	DESCRIPTION	PRICE	MODEL	DESCRIPTION	PRICE
VP539	6" Round	\$62.07	VP552	10" Round	\$133.37	VP539-HP	6" Round	\$62.07	VP552-HP	10" Round	\$133.37
VP540	7" Round	\$62.07	VP553	12" Round	\$133.37	VP540-HP	7" Round	\$62.07	VP553-HP	12" Round	\$133.37
VP541	8" Round	\$62.07				VP541-HP	8" Round	\$62.07			
ADJUSTABLE ELBOW			BACK/SIDE VENT ELBOW			3 1/4" x 10" BACK VENT ELBOW			3 1/4" x 10" TO 7" TRANSITION		
MODEL	DESCRIPTION	PRICE	MODEL	DESCRIPTION	PRICE	MODEL	DESCRIPTION	PRICE	MODEL	DESCRIPTION	PRICE
VP513 - 8 1/2"			VP561	8" to 6" x 8-1/2"	\$25.10	VP559	3-1/4" x 10"	\$25.10	VP521	3-1/4" x 10 to 7"	\$25.10
VP514 - 9 3/8"											
VP515 - 10 3/8"											
MULTI-BLOWER TRANSITION			M1200 STANDARD TRANSITION			STANDARD ISLAND TRANSITION			CLUSTER BLOWER TRANSITION		
MODEL	DESCRIPTION	PRICE	MODEL	DESCRIPTION	PRICE	MODEL	DESCRIPTION	PRICE	MODEL	DESCRIPTION	PRICE
VP562	6" & 8" to 10"	\$133.37	VP566	M1200 Transition	\$48.87	VP565	5" x 16" to 8" Rnd	\$48.87	VP564	8" & 8" to 12"	\$48.87
VP563	8" & 8" to 12"	\$133.37									
OFFSET L & R TRANSITION FOR ISLAND BLOWERS			SIDE VENT TRANSITION L & R FOR ISLAND BLOWERS			OFFSET KIT - ROUND			OFFSET KIT - RECTANGULAR		
MODEL	DESCRIPTION	PRICE	MODEL	DESCRIPTION	PRICE	MODEL	DESCRIPTION	PRICE	MODEL	DESCRIPTION	PRICE
VP542	Top Left	\$48.87	VP544	Side Left	\$48.87	VP529	6" Rnd to 7" Rnd	\$25.10	VP550	6" to 3-1/4" x 10"	\$25.10
VP543	Top Right	\$48.87	VP545	Side Right	\$48.87						
"Y" TRANSITION			ROUND DUCT PIPE			3 1/4" RECTANGULAR DUCT PIPE			6" RECTANGULAR DUCT PIPE		
MODEL	DESCRIPTION	PRICE	MODEL	DESCRIPTION	PRICE	MODEL	DESCRIPTION	PRICE	MODEL	DESCRIPTION	PRICE
VP517	8" & 8" to 12"	\$55.47	VP500	6" Round	\$21.14	VP504	3-1/4" x 10"	\$21.14	VP507	6" x 8-1/2"	\$21.14
VP518	6" & 8" to 12"	\$55.47	VP501	7" Round	\$21.14	VP505	3-1/4" x 12"	\$21.14			
VP551	6" & 8" to 10"	\$55.47	VP502	8" Round	\$21.14	VP506	3-1/4" x 16"	\$21.14			



# PARTS FOR VENT-A-HOOD PRODUCTS

**PRICES DO NOT INCLUDE SHIPPING & HANDLING CHARGES.**

<u>MOTORS</u>			<u>M LINE COMPONENTS</u>		
<u>PART NO.</u>	<u>DESCRIPTION</u>	<u>PRICE</u>	<u>PART NO.</u>	<u>DESCRIPTION</u>	<u>PRICE</u>
P1301-1	SINGLE SPEED WHITE MOTOR (CW)	\$92.91	P1440	M LINE BLOWER SWITCH	\$20.80
P1301-2	TWO SPEED WHITE MOTOR (CW)	\$92.91	P1445	M LINE BLOWER SWITCH KNOB	\$9.72
P1302-1	BLACK MOTOR (CCW)	\$92.91	P1450	M LINE LIGHT SWITCH	\$20.80
P1315	V-LINE MOTOR	\$137.28	P1455	M LINE LIGHT SWITCH KNOB	\$9.72
P1900	ADAPTER (AMP PLUG/TWO PRONG PLUG)	\$5.55	P1456	M600 WIRING HARNESS	\$62.41
			P1457	M1200 WIRING HARNESS	\$62.41
<u>BLOWER WHEELS</u>			<u>LIGHT BULBS</u>		
<u>PART NO.</u>	<u>DESCRIPTION</u>	<u>PRICE</u>	<u>PART NO.</u>	<u>DESCRIPTION</u>	<u>PRICE</u>
P1305	WHITE BLOWER WHEEL (CW)	\$24.97	P1110	GU10 HALOGEN BULB, 50 WATT	\$15.25
P1306	BLACK BLOWER WHEEL (CCW)	\$24.97	P1111	GU10 LED BULB	\$19.24
P1307	V-LINE BLOWER WHEEL	\$24.97	P1130	PAR20 HALOGEN BULB, 50 WATT	\$15.25
			P1350	INTEGRATED LED BULB (2700K)	\$57.66
<u>BLOWER HOUSINGS</u>			P1355	INTEGRATED LED BULB (5000K)	\$57.66
<u>PART NO.</u>	<u>DESCRIPTION</u>	<u>PRICE</u>	<u>LIGHT FIXTURE COMPONENTS</u>		
SPECIFY HOOD COLOR			<u>PART NO.</u>	<u>DESCRIPTION</u>	<u>PRICE</u>
P1029	B100/T200 BLOWER HSG w/DAMPER	\$76.26	P1103	LEFT LAMPHOLDER	\$5.55
P1029E	B100/T200 EZ CLEAN HSG w/DAMPER	\$76.26	P1104	RIGHT LAMPHOLDER	\$5.55
P1028	B200/T400 BLOWER HSG w/DAMPERS	\$146.98	P1105	FS-2 STARTER	\$2.78
P1028E	B200/T400 EZ CLEAN HSG w/DAMPERS	\$146.98	P1106	STARTER SOCKET	\$6.94
P1030	T200 REVERSE BLOWER HSG w/DAMPER	\$76.26	P1123	PAR20 HALOGEN LAMP SOCKET	\$5.55
P1030E	T200 REVERSE EZ CLEAN HSG w/DAMPER	\$76.26	P1124	GU10 LAMP SOCKET	\$9.06
P1021	V-LINE BLOWER COVER (PAN)	\$34.67	P1127	FLUORESCENT LIGHT DIFFUSER	\$13.88
<u>BLOWER SHIELDS</u>			<u>REPLACEMENT FILTERS</u>		
<u>PART NO.</u>	<u>DESCRIPTION</u>	<u>PRICE</u>	<u>PART NO.</u>	<u>DESCRIPTION</u>	<u>PRICE</u>
P1025	B100/T200 SHIELD, PAINTED	\$26.36	P1506	SS BAFFLE (16" x 20" x 1-1/2")	\$207.99
P1025E	B100 EZ CLEAN SHIELD, PAINTED	\$26.36	P1506A	SS BAFFLE (10" x 20" x 1-1/2")	\$242.65
P1025E-I	T200 EZ CLEAN SHIELD, PAINTED	\$26.36	P1529	M LINE BAFFLE FILTER - 15" x 12"	\$105.38
P1027	B100/T200 SHIELD, STAINLESS	\$26.36	P1530	M LINE BAFFLE FILTER - 12" x 12"	\$105.38
P1027E	B100 EZ CLEAN SHIELD, STAINLESS	\$26.36	P1531	M LINE FILTER FILLER PLATE - 6" x 12"	\$44.90
P1027E-I	T200 EZ CLEAN SHIELD, STAINLESS	\$26.36	<u>BACK DRAFT DAMPERS</u>		
P1024	B200/T400 SHIELD, PAINTED	\$34.67	<u>PART NO.</u>	<u>DESCRIPTION</u>	<u>PRICE</u>
P1024E	B200 EZ CLEAN SHIELD, PAINTED	\$34.67	P1031	MAGIC LUNG NYLON POLYMER DAMPER	\$6.94
P1024E-I	T400 EZ CLEAN SHIELD, PAINTED	\$34.67	P1040	B100/T200 METAL DAMPER	\$6.94
P1026	B200/T400 SHIELD, STAINLESS	\$34.67	P1041	B200 METAL DAMPER	\$6.94
P1026E	B200 EZ CLEAN SHIELD, STAINLESS	\$34.67	P1042	V-LINE DAMPER	\$9.72
P1026E-I	T400 EZ CLEAN SHIELD, STAINLESS	\$34.67	<u>REMOTE BLOWER COMPONENTS</u>		
P1610P	NICKEL SHIELD SCREW	\$5.55	<u>PART NO.</u>	<u>DESCRIPTION</u>	<u>PRICE</u>
<u>SWITCHES AND CONTROLS</u>			P1425	REMOTE BLOWER SPEED CONTROL (HOOD)	\$80.42
<u>PART NO.</u>	<u>DESCRIPTION</u>	<u>PRICE</u>	P1510	RM1000 BLOWER WHEEL	\$48.53
P1431	SWITCH FOR SINGLE SPEED BLACK MOTOR	\$5.55	P1515	RM1000 MOTOR	\$284.24
P1432	SWITCH FOR FLUORESCENT LIGHT	\$5.55	P1520	RM1500 BLOWER WHEEL	\$48.53
P1433	SWITCH FOR TWO SPEED WHITE MOTOR	\$6.94	P1525	RM1500 MOTOR	\$325.85
P1434	SWITCH FOR HALOGEN LIGHTS	\$6.94	<u>OTHER MISCELLANEOUS ITEMS</u>		
P1435	LED ROCKER SWITCH	\$6.94	<u>PART NO.</u>	<u>DESCRIPTION</u>	<u>PRICE</u>
P1410	MOMENTARY SWITCH (TILT/TLH HOODS)	\$5.55	P1039	FLAP STAY FOR TILT/TLH HOODS	\$38.83
P1418	DIMMER SWITCH (CAN LIGHTS)	\$41.62	AW101	T-HANDLE, 1/8" ALLEN WRENCH	\$13.88
P1419	ROTARY SWITCH (HEAT LIGHTS)	\$13.88	AW102	STANDARD, 1/8" ALLEN WRENCH	\$1.39
P1422	KNOB FOR ROTARY SWITCH (SET SCREW)	\$5.55	P1424	SENSASOURCE THERMOSTAT ASSY	\$16.64
P1425	REMOTE BLOWER SPEED CONTROL (HOOD)	\$80.42	SS KIT	STAINLESS STEEL SCRATCH REPAIR KIT	\$11.10
P1460	ROTARY SWITCH - B100/LED LIGHTS	\$6.94	SS64	STAINLESS STEEL MAGIC (CAN)	\$16.64
P1465	ROTARY SWITCH - B200/T200/T400(2)	\$6.94	CP101	RED BEAR® COPPER POLISH	\$16.64
P1470-1	MAGIC LUNG ROTARY BLOWER KNOB	\$9.72	P1316	3-1/4" x 10" COLLAR FOR V-LINE	\$13.88
P1475-1	MAGIC LUNG ROTARY LIGHT KNOB	\$9.72	P1317	BACK PLATE FOR V-LINE	\$6.94
P1350-1	DIMMER PACK FOR INTEGRATED LED BULB	\$13.56			





[www.vahdistributing.com](http://www.vahdistributing.com)  
1000 N. Greenville Ave.  
Richardson, Texas 75081-2799

**TOLL-FREE: 888.557.8368**  
**FAX: 972.231.0663**  
**[sales@vahdistributing.com](mailto:sales@vahdistributing.com)**