



Vent Hood®

2019 LINER PITCH PACK

Vent Hood[®]

LINER PITCH PACK
2019



Table of Contents

2019 LINER PITCH PACK

Section 1
Introduction to Liners

STANDARD LINERS OVERVIEW 4

CUSTOM HOOD LINERS OVERVIEW 6

MEASUREMENT WORKSHEETS

Wall Mount Models Worksheet 8

Island Models Worksheet 9

Section 2
Liner Models

PREMIUM POWER LUNG

Overview: V-Line Standard Liners 12

KHSLD Models 14

AIR RECOVERY SYSTEM (ARS)

KAHSLD Models 20

PREMIER MAGIC LUNG®

WALL MOUNTED LINER INSERTS

Overview: Premier Magic Lung® 26

BHSLD Models 28

BHPSLD Models 37

BHPSLB Models 49

ISLAND LINER INSERTS

THSLE Models 54

THPSLE Models 58

TLH Models 63

M-LINERS

Overview: M-Liner Series 72

MSLD Models 74

MPSLD Models 82

VentA Hood®

About Custom Hood Liners

WHAT IS A HOOD LINER?

A “Liner” is a range hood that is mounted inside and “lines” a decorative hood that you create out of wood, plaster, tile, or metal.

Note: *Plaster or tile hoods are generally made of plywood and covered with plaster or tile.*

A HOOD LINER PROVIDES...

- ▶ Lights
- ▶ Inner Canopy
- ▶ Blower System
- ▶ Switches

A STANDARD LINER IS PRICED COMPLETE WITH BLOWER(S), LIGHT(S), SWITCHES, AND CANOPY.

REASONS TO BUY STANDARD HOOD LINERS

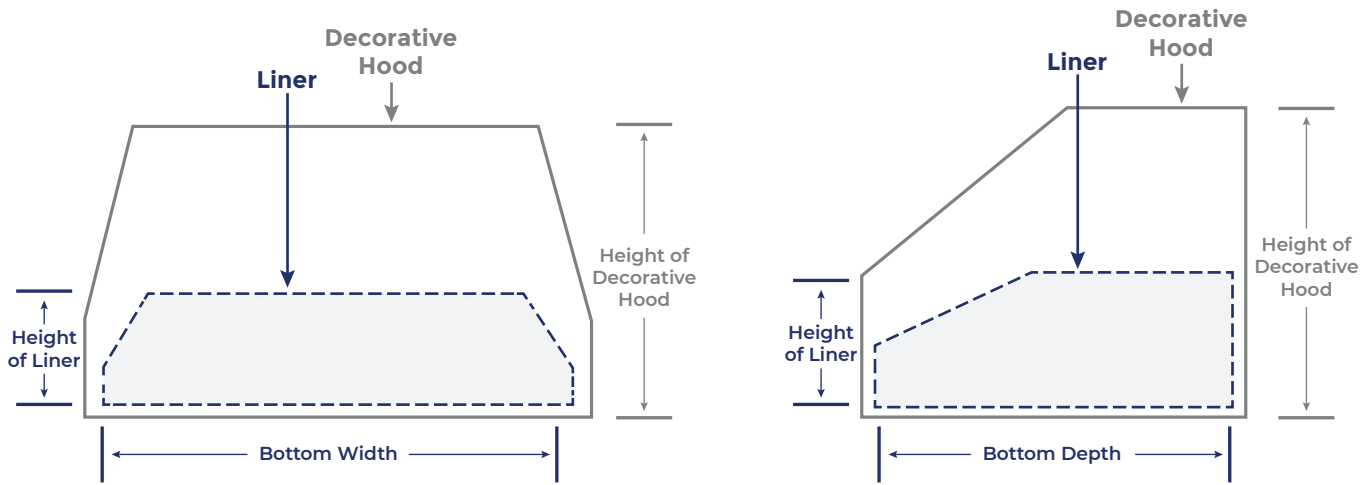
- ▶ Pre-Wired
- ▶ Pre-Assembled
- ▶ Ready to Install
- ▶ Readily Available
- ▶ Less Expensive Than Custom-Made Liners

SEE STANDARD LINER INSERT FOR SPECIFIC DIMENSIONS

Measuring Your Decorative Hood and Liner

YOUR DECORATIVE HOOD AND LINER MUST FIT AT THE BOTTOM EDGE.

You can shape the outside of your decorative hood in any way you wish, but the **ONLY** place where the liner and the outside cover must meet and fit is at the **BOTTOM** edge of the metal liner in both width and depth.



Drawing #1
FRONT VIEW

Drawing #2
SIDE VIEW

Some dimensions of the liner, such as height and top dimensions, can be smaller than the "shell" of the decorative hood (see dotted lines in the above drawings).

How to Measure Your Custom Decorative Hood for a Liner

IF YOUR DECORATIVE HOOD IS **NOT ALREADY BUILT**, CHOOSE A **STANDARD LINER** AND BUILD YOUR HOOD TO FIT.

We can **build a liner for an existing decorative hood** provided we receive **accurate interior dimensions**.

► Use a drawing from the back of this catalog to assist you in your measurements.

Note: Wood hoods are never square. Always measure inside depth and width dimensions in multiple locations and use the smallest dimensions.

► **Bottom depth and Bottom Width** of the liner must meet and fit with the bottom interior of the decorative hood (*see drawings 1 & 2 on page 3*). **The liner must cover all burners for maximum efficiency.**

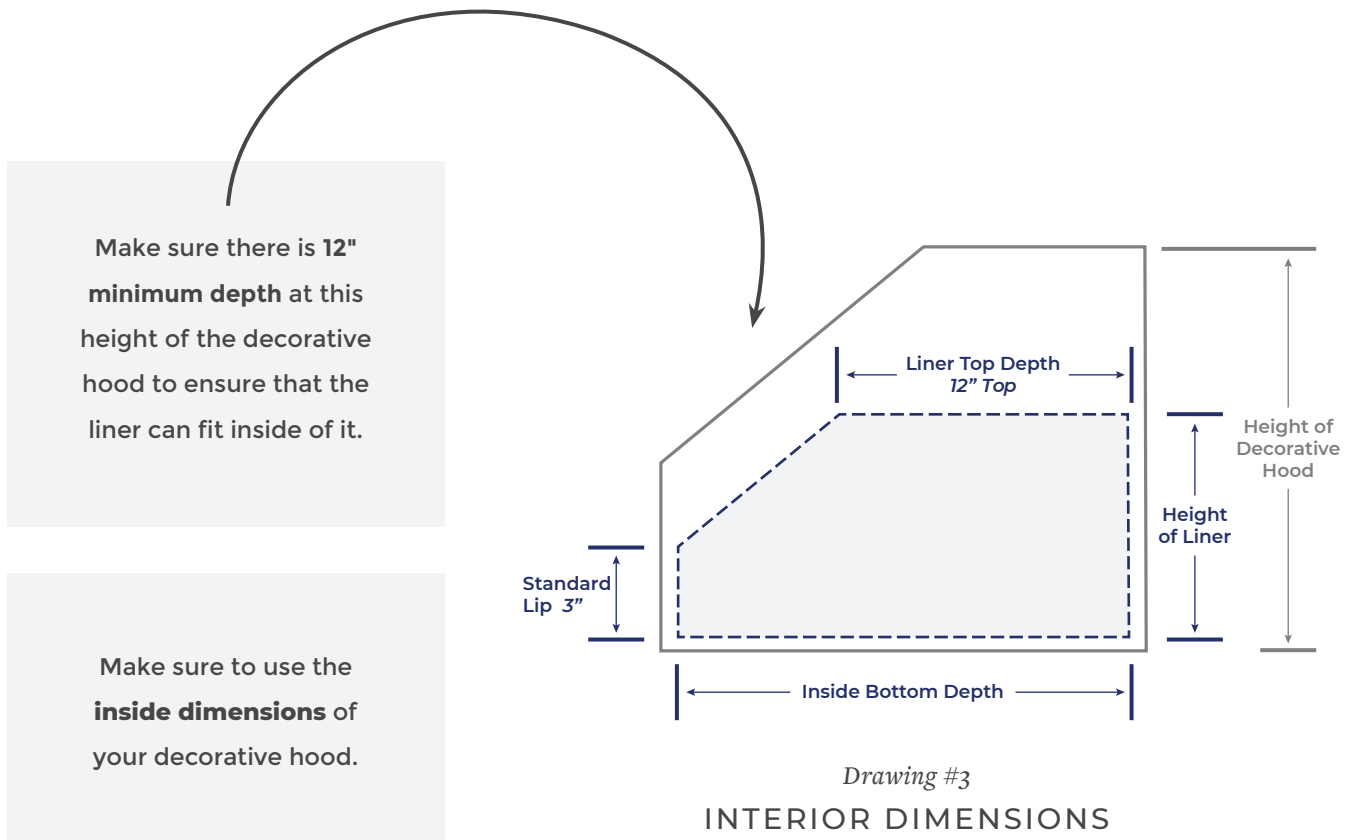
► Always use interior measurements of the decorative hood.

► **Provide us with accurate interior dimensions** and we will allow a **1/8" clearance** on the width and depth (unless you specify exact dimensions).

► **Height of the liner** does not have to be the same as the height of the decorative hood, and is generally shorter (see drawing 3 below). **12" is the optimal liner height**, but **18"** is required for the inclusion of a warming bar. **9" is the minimum height** for any liner.

► **Top depth** (projection at the top of the liner) must be less than the interior depth of the hood. **Standard top depth is 12"**. You must measure the interior depth of your hood at the **top height** of the liner to make sure that the liner will fit all the way inside of the hood (see drawing 3 below).

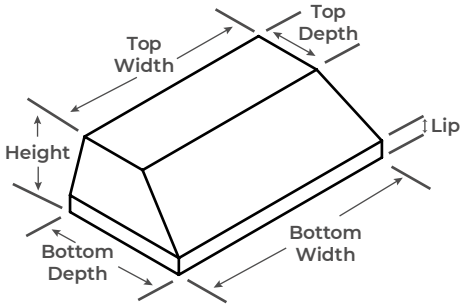
► **Standard lip height is 3"**.



IF YOU DESIRE, YOU MAY SHIP YOUR WOOD HOOD TO OUR FACTORY AND LET US TAKE CARE OF IT FOR YOU. WE MEASURE, BUILD, AND INSTALL THE LINER, THEN SHIP IT BACK TO YOU.

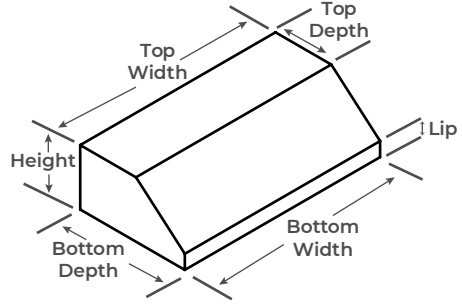
CONTACT YOUR DISTRIBUTOR FOR SHIPPING INSTRUCTIONS.

Wall Mount Models



Wall Mount Model
MODELS B-LD

Height	Lip	Bottom Width
<input type="text"/>	<input type="text"/>	<input type="text"/>
Bottom Depth	Top Depth	
<input type="text"/>	<input type="text"/>	

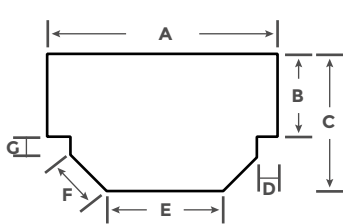


Wall Mount Model
MODELS B-LB

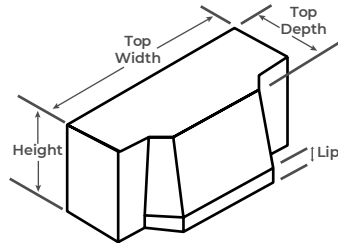
Height	Lip	Bottom Width
<input type="text"/>	<input type="text"/>	<input type="text"/>
Bottom Depth	Top Depth	
<input type="text"/>	<input type="text"/>	

WALL MOUNT MODELS **B100LA** & **B200LA** REQUIRE ADDITIONAL MEASUREMENTS

Wall Mount Models B-LA
TOP DIMENSIONS

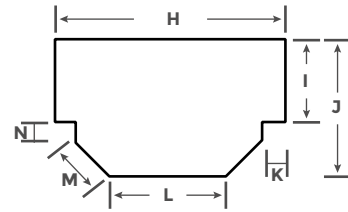


A	B	C
<input type="text"/>	<input type="text"/>	<input type="text"/>
D	E	F
<input type="text"/>	<input type="text"/>	<input type="text"/>
G		
<input type="text"/>		



Width	Top Depth
<input type="text"/>	<input type="text"/>
Lip	Height
<input type="text"/>	<input type="text"/>

Wall Mount Models B-LA
BOTTOM DIMENSIONS



H	I	J
<input type="text"/>	<input type="text"/>	<input type="text"/>
K	L	M
<input type="text"/>	<input type="text"/>	<input type="text"/>
N		
<input type="text"/>		

ADDITIONAL INFORMATION NEEDED FOR EACH MODEL LINER

FINISH

- Painted Color
- Stainless Steel

LIGHTING

- LED

BLOWER CONFIGURATION*

- B100 - 300 CFM (Minimum Top Width: 16")
- B200 - 600 CFM (Minimum Top Width: 24")
- B300 - 900 CFM (Minimum Top Width: 42")
- B400 - 1200 CFM (Minimum Top Width 48")
- RM1000 - 1000 CFM (Minimum Top Width 24")
- RM1500 - 1500 CFM (Minimum Top Width 24")

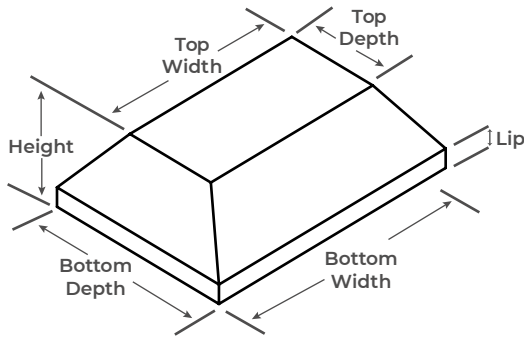
OPTIONAL ACCESSORIES

- Accessory Rail (WR0L)
- Warming Light Bar (W BAR)
Note: Requires 18" Height
- Warming Light (WL-1)
For liners less than 18" tall.
Note: Each light requires 8" of top width.

*Smaller top sizes may be available based on overall liner configurations. Please contact Vent-A-Hood for details.

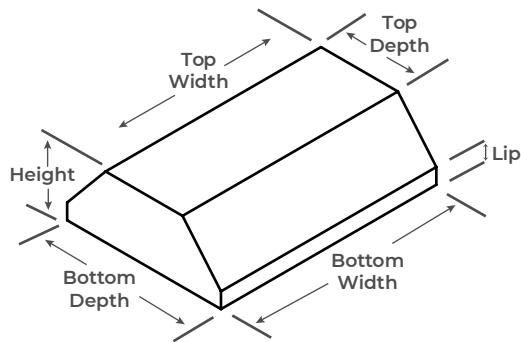
Island Models

Island Model
MODELS T-LE



Height	Lip	Bottom Width
<input type="text"/>	<input type="text"/>	<input type="text"/>
Bottom Depth	Top Depth	
<input type="text"/>	<input type="text"/>	

Island Model
MODELS T-LC



Height	Lip	Bottom Width
<input type="text"/>	<input type="text"/>	<input type="text"/>
Bottom Depth	Top Depth	
<input type="text"/>	<input type="text"/>	

ADDITIONAL INFORMATION NEEDED FOR EACH MODEL LINER

FINISH

- Painted Color
- Stainless Steel

LIGHTING

- LED

BLOWER CONFIGURATION*

- T200 - 550 CFM (Minimum Top Width: 24")
- T400 - 1100 CFM (Minimum Top Dimensions: 24" Wide x 24" Deep)
- T2+200 - 1100 CFM (Minimum Top Width: 48")
- RM1000 - 1000 CFM (Minimum Top Width 24")
- RM1500 - 1500 CFM (Minimum Top Width 24")

*Smaller top sizes may be available based on overall liner configurations. Please contact Vent-A-Hood for details.



Wall Mounted Liner Inserts

Premium Power Lung

V-LINE

Vent Hood[®]

V-Line Standard Liners

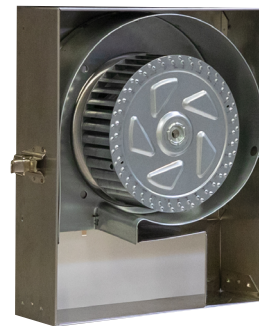
Ideal for Light to Moderate Cooking



V-LINE BLOWER SYSTEM



CONCEALED



EXPOSED

Benefits of the V-Line Standard Liners

POWER LUNG™; POWER VALUE

The V-Line with Power Lung™ brings luxury and superior performance to the value range hood category. Get the quality you need from the brand you've always trusted for kitchen ventilation.

BETTER TOGETHER

The exclusive Vent-A-Hood® Power Lung™ Blower and Centrifugal Filter chamber are built to work together as one in a single housing. Engineered to provide superior performance, the Power Lung™ eliminates grease that baffle filters and mesh screens do not.

DESIGNS TO FIT YOUR NEEDS

The V-Line with Power Lung™ technology has designs made for under-cabinet, wall-mounted, or liner insert usage, allowing homeowners and builders to find the option that fits their kitchen best.

LED LIGHTING

Our V-Line hood comes equipped with the latest in LED lighting technology. After all, you want to be able to see your delicious creations while you're cooking them up.

CLEANING IS A BREEZE

Grease from cooking is captured and stored in the V-Line's collecting tray. To clean, simply locate the tray and slide it out to remove, then wash either in a dishwasher or with warm soapy water, then let it dry and put it back.

1 YEAR WARRANTY

Vent-A-Hood®

ABOUT *Premium Power Lung*

KHSLD Models

Includes the **Power Lung Blower System**, which is perfect for **light to moderate cooking** (sound rating is 7.4 Sones at high speed).

Liner insert with a **compact design** for use in narrow depth applications.

LED Lights feature a dual switch for dimming.

Equipped with the **SensaSource®** heat sensor.

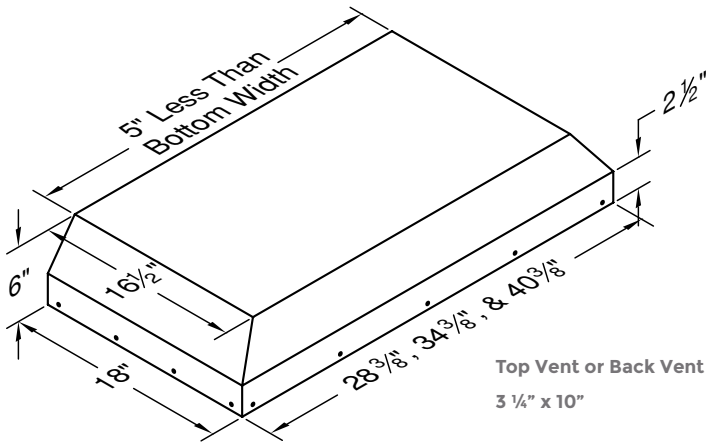
Available in popular paint colors (biscuit, black, gunsmoke and white only) and stainless steel.

Designed for either **top vent** or **back vent** installations.

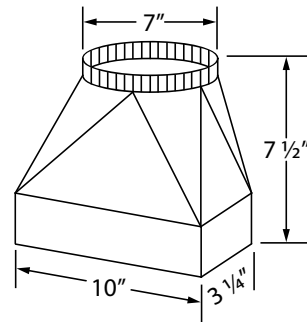
All liners in this series are **18"** deep.

Recommended mounting height is **21" - 24"** above the cooking surface.

Equipped with LED GU10 lighting. Not available with heat lamps.
 This model is available in Black, Biscuit, Gunsmoke Gray, Stainless Steel, or White.



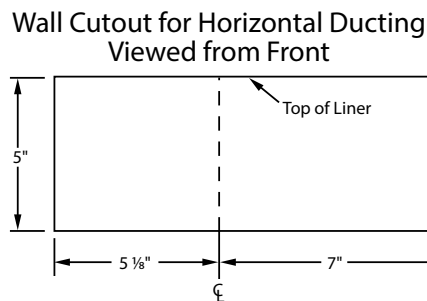
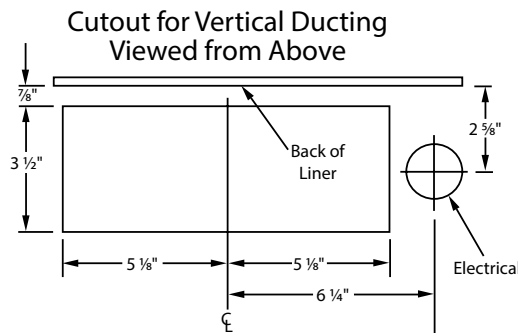
Top Vent or Back Vent
 3 1/4" x 10"



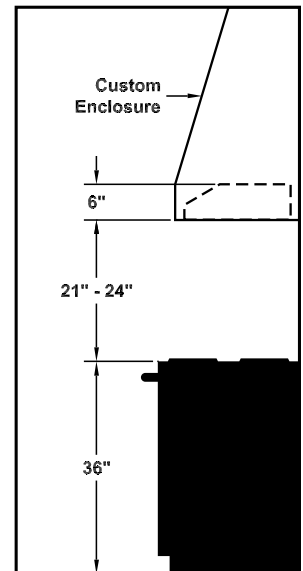
The VP521 transition is available for top vent applications at an additional charge.

Width:	28 3/8"
Depth:	18"
Height:	6"
CFM:	250
Sones:	7.4
Amps:	3.5
Number of Lights:	2

Connection Diagrams



Recommended Mounting Height*



*Recommended mounting height is for optimum performance.

Electrical/Mechanical Specifications For Blower Units

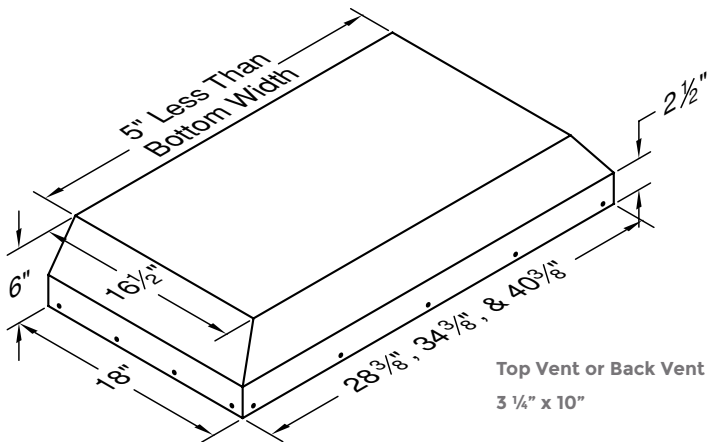
Model	Volts	Amps	Hz	RPM	CFM SP@0.0"	Equivalent CFM*	CFM SP@0.1"	CFM SP@0.2"	CFM SP@0.3"	Minimum Round Duct Size	Sones#
K250 (Top Vent)	115	3.5	60	1550	250	375	223	220	190	7" (38 in. ²)	7.4

Equipped with two LED GU10 lights.
 · Because the Power Lung® blower uses centrifugal filtration rather than conventional baffle or mesh filters, the Power Lung® blower can handle cooking equipment with higher cubic feet per minute (CFM) requirements and can deliver equivalent CFM much more efficiently than other filtration systems. When comparing the Power Lung® with other blower units made by other manufacturers, use the "Equivalent CFM".
 # Ratings in accordance with the Standard Test Code by the Energy Systems Laboratory of the Texas Engineering Experiment Station.

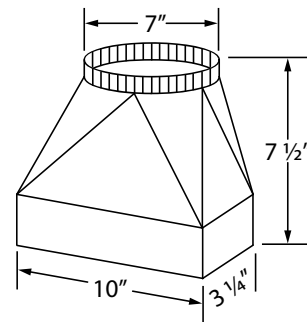
SPECIFICATIONS SUBJECT TO CHANGE WITHOUT NOTICE Rev. 1218A



Equipped with LED GU10 lighting. Not available with heat lamps.
 This model is available in Black, Biscuit, Gunsmoke Gray, Stainless Steel, or White.



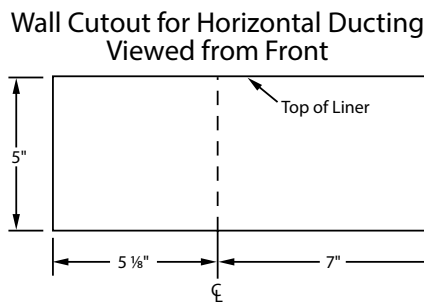
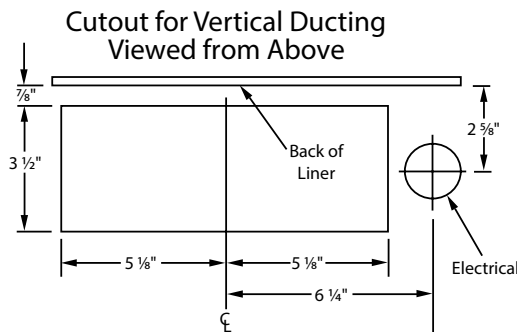
Top Vent or Back Vent
 3 1/4" x 10"



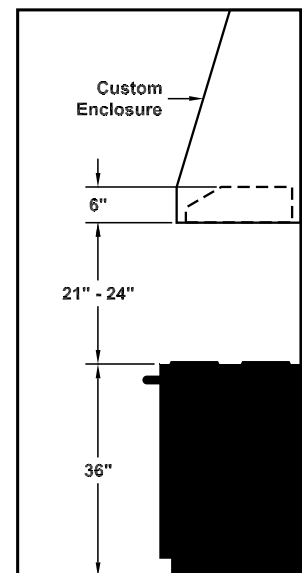
The VP521 transition is available for top vent applications at an additional charge.

Connection Diagrams

Width:	34 3/8"
Depth:	18"
Height:	6"
CFM:	250
Sones:	7.4
Amps:	3.5
Number of Lights:	2



Recommended Mounting Height*



*Recommended mounting height is for optimum performance.

Electrical/Mechanical Specifications For Blower Units

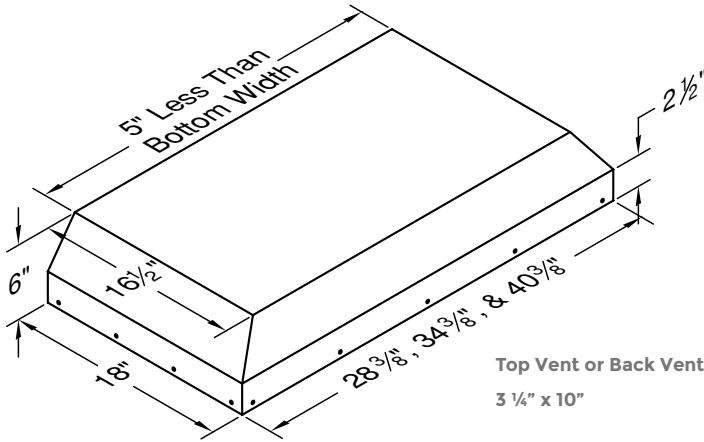
Model	Volts	Amps	Hz	RPM	CFM SP@0.0"	Equivalent CFM*	CFM SP@0.1"	CFM SP@0.2"	CFM SP@0.3"	Minimum Round Duct Size	Sones#
K250 (Top Vent)	115	3.5	60	1550	250	375	223	220	190	7" (38 in. ²)	7.4

Equipped with two LED GU10 lights.
 • Because the Power Lung® blower uses centrifugal filtration rather than conventional baffle or mesh filters, the Power Lung® blower can handle cooking equipment with higher cubic feet per minute (CFM) requirements and can deliver equivalent CFM much more efficiently than other filtration systems. When comparing the Power Lung® with other blower units made by other manufacturers, use the "Equivalent CFM".
 # Ratings in accordance with the Standard Test Code by the Energy Systems Laboratory of the Texas Engineering Experiment Station.

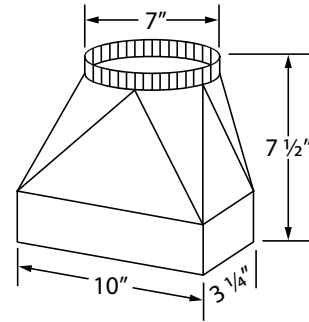
SPECIFICATIONS SUBJECT TO CHANGE WITHOUT NOTICE Rev. 1218A



Equipped with LED GU10 lighting. Not available with heat lamps.
 This model is available in Black, Biscuit, Gunsmoke Gray, Stainless Steel, or White.



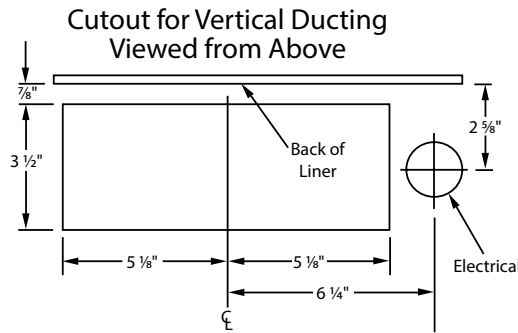
Top Vent or Back Vent
 3 1/4" x 10"



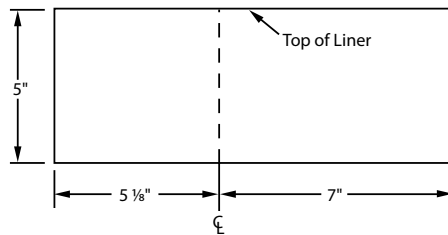
The VP521 transition is available for top vent applications at an additional charge.

Width:	40 3/8"
Depth:	18"
Height:	6"
CFM:	250
Sones:	7.4
Amps:	3.5
Number of Lights:	2

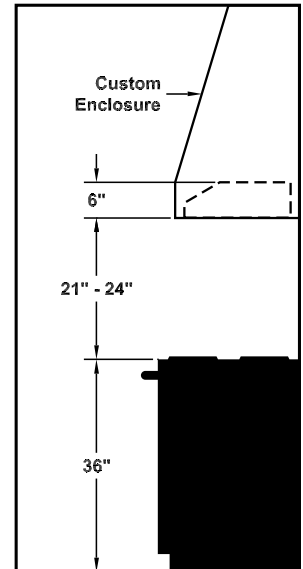
Connection Diagrams



Wall Cutout for Horizontal Ducting Viewed from Front



Recommended Mounting Height*



*Recommended mounting height is for optimum performance.

Electrical/Mechanical Specifications For Blower Units

Model	Volts	Amps	Hz	RPM	CFM SP@0.0"	Equivalent CFM*	CFM SP@0.1"	CFM SP@0.2"	CFM SP@0.3"	Minimum Round Duct Size	Sones#
K250 (Top Vent)	115	3.5	60	1550	250	375	223	220	190	7" (38 in. ²)	7.4

Equipped with two LED GU10 lights.
 · Because the Power Lung® blower uses centrifugal filtration rather than conventional baffle or mesh filters, the Power Lung® blower can handle cooking equipment with higher cubic feet per minute (CFM) requirements and can deliver equivalent CFM much more efficiently than other filtration systems. When comparing the Power Lung® with other blower units made by other manufacturers, use the "Equivalent CFM".
 # Ratings in accordance with the Standard Test Code by the Energy Systems Laboratory of the Texas Engineering Experiment Station.

SPECIFICATIONS SUBJECT TO CHANGE WITHOUT NOTICE Rev. 1218A





Wall Mounted Liner Inserts

Air Recovery System

ARS DUCT FREE

VentAhood[®]

ABOUT *ARS (Air Recovery System)*

KAHSLD Models

Utilizing a proprietary **4 phase technology** and the **Power Lung Blower System**, the Vent-A-Hood **ARS series** is ideal for light residential cooking where venting is not an option.

Liner insert with a **compact design** for use in narrow depth applications.

Equipped with **LED Lighting**.

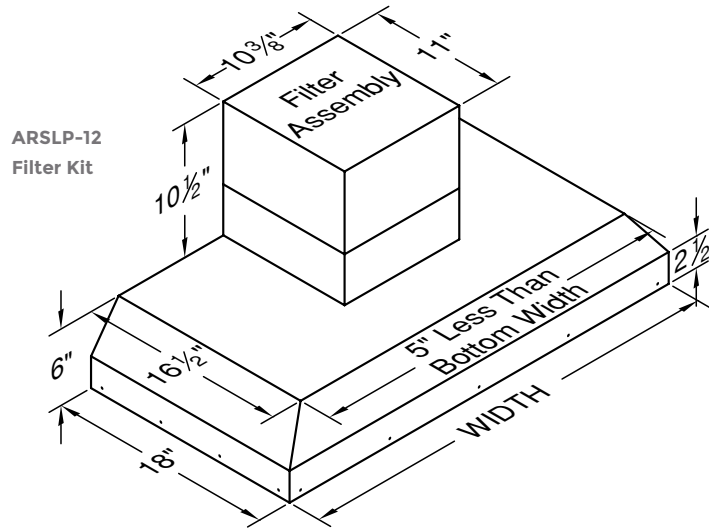
Not available in real brass, real copper, or hammered copper.

All liners in this series are **18"** deep.

Recommended mounting height is **21" - 24"** above the cooking surface.

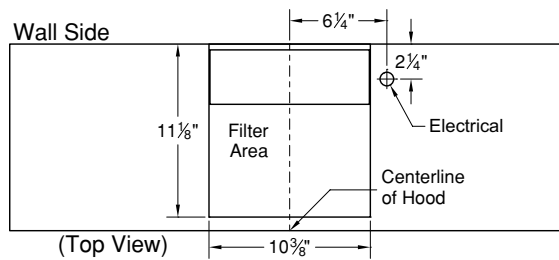
ARS filter assembly sold separately.

Equipped with LED GU10 lighting. Not available with heat lamps.
 This model is available in Black, Biscuit, Gunsmoke Gray, Stainless Steel, or White.
 Shown with ARSLP-12 kit (sold separately).



Width:	28 3/8"
Depth:	18"
Height:	6"
CFM:	n/a
Sones:	n/a
Amps:	3.5
Number of Lights:	2

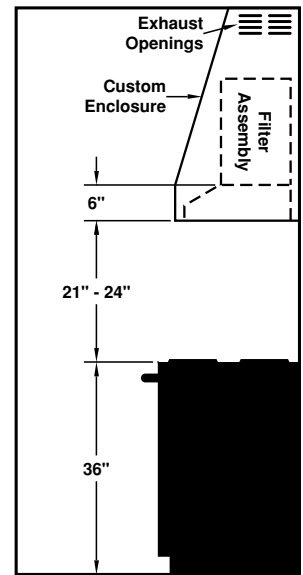
Connection Diagram



A minimum of 25 sq. in. of exhaust opening space per blower/filter assembly, located above the filter assembly outlet (top), is required for proper air recirculation.

Access to the filter assembly via access panel in the custom enclosure is required for routine filter maintenance.

Recommended Mounting Height*



*Recommended mounting height is for optimum performance.

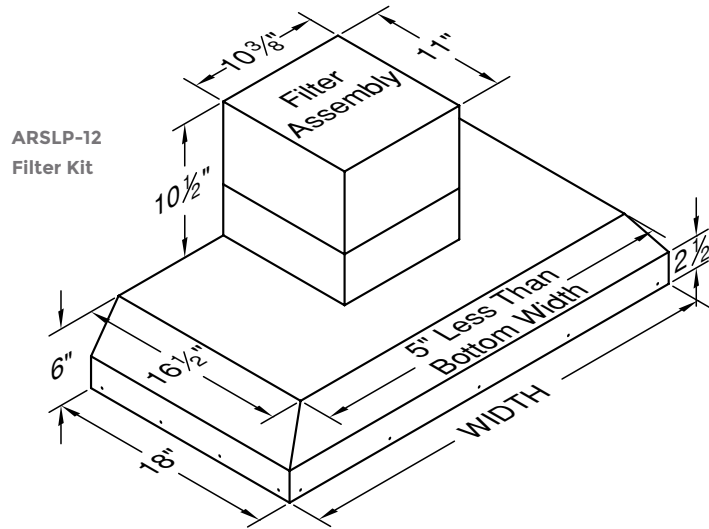
Electrical/Mechanical Specifications For Blower Units

Model	Volts	Amps	Hz	RPM
K250 (ARS)	115	3.5	60	1550

SPECIFICATIONS SUBJECT TO CHANGE WITHOUT NOTICE Rev. 1218A

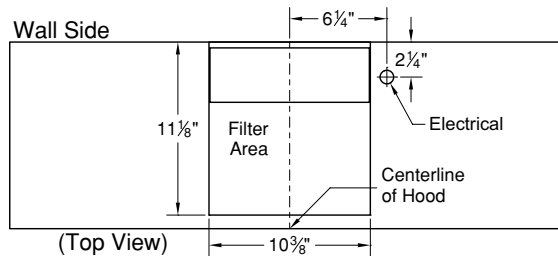


Equipped with LED GU10 lighting. Not available with heat lamps.
 This model is available in Black, Biscuit, Gunsmoke Gray, Stainless Steel, or White.
 Shown with ARSLP-12 kit (sold separately).



Connection Diagram

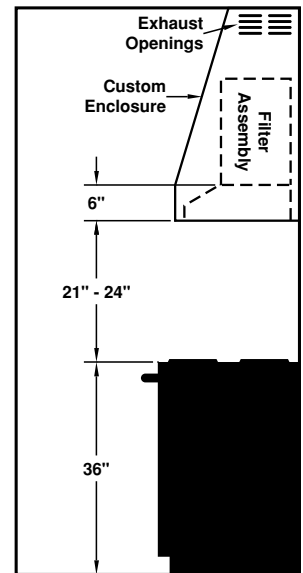
Width:	34 3/8"
Depth:	18"
Height:	6"
CFM:	n/a
Sones:	n/a
Amps:	3.5
Number of Lights:	2



A minimum of 25 sq. in. of exhaust opening space per blower/filter assembly, located above the filter assembly outlet (top), is required for proper air recirculation.

Access to the filter assembly via access panel in the custom enclosure is required for routine filter maintenance.

Recommended Mounting Height*



*Recommended mounting height is for optimum performance.

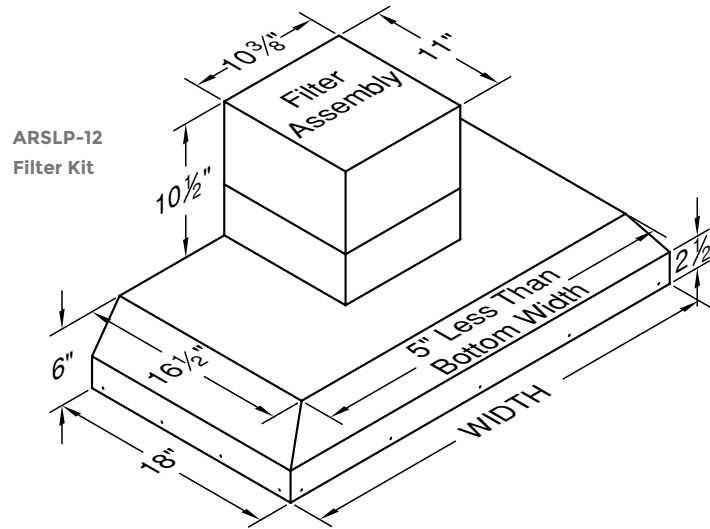
Electrical/Mechanical Specifications For Blower Units

Model	Volts	Amps	Hz	RPM
K250 (ARS)	115	3.5	60	1550

SPECIFICATIONS SUBJECT TO CHANGE WITHOUT NOTICE Rev. 1218A

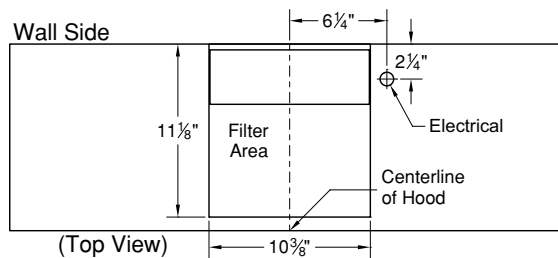


Equipped with LED GU10 lighting. Not available with heat lamps.
 This model is available in Black, Biscuit, Gunsmoke Gray, Stainless Steel, or White.
 Shown with ARSLP-12 kit (sold separately).



Width:	40 3/8"
Depth:	18"
Height:	6"
CFM:	n/a
Sones:	n/a
Amps:	3.5
Number of Lights:	2

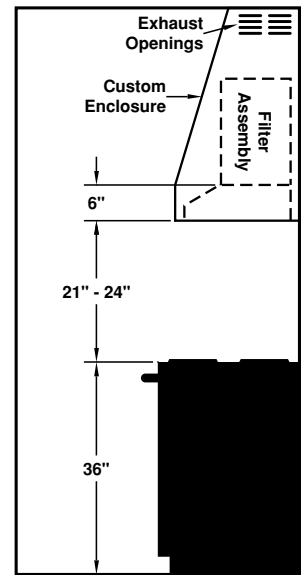
Connection Diagram



A minimum of 25 sq. in. of exhaust opening space per blower/filter assembly, located above the filter assembly outlet (top), is required for proper air recirculation.

Access to the filter assembly via access panel in the custom enclosure is required for routine filter maintenance.

Recommended Mounting Height*



*Recommended mounting height is for optimum performance.

Electrical/Mechanical Specifications For Blower Units

Model	Volts	Amps	Hz	RPM
K250 (ARS)	115	3.5	60	1550

SPECIFICATIONS SUBJECT TO CHANGE WITHOUT NOTICE Rev. 1218A





Wall Mounted Liner Inserts

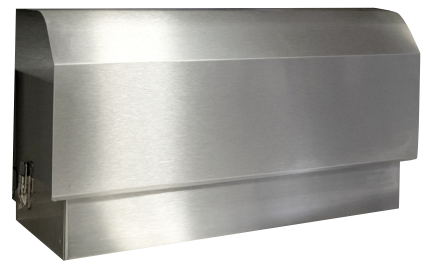
Premier Magic Lung[®]

VentAhood[®]

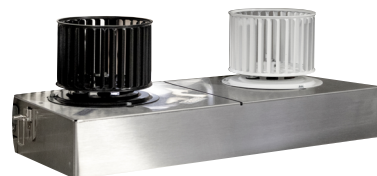
Premier Magic Lung[®] Liners



MAGIC LUNG[®] BLOWER SYSTEM



CONCEALED



EXPOSED

Benefits of the Magic Lung® Blower System

WHISPER QUIET TECHNOLOGY

Tests prove the Magic Lung® system is the quietest kitchen ventilation available. By getting rid of traditional filter systems, we've unrestricted airflow, letting the Magic Lung® perform its best while remaining whisper quiet.

GREASE LIQUIFICATION & EXTRACTION

The patented Magic Lung® centrifugal grease extractor collects 99% of grease, 100% of the time. Lab tests of traditional filters show they only collect 30% of the grease produced during a typical cooking session.

SCALABILITY

Each Magic Lung® blower supplies 300 CFM of airflow—that's a lot. And, we can meet any air flow requirement by adding blowers without adding noise.

BEAUTY

Magic Lung® Hoods look the best and out-perform the rest. With a great selection of styles to choose from, you can always find the right one for your home. Or, if you have a custom design in mind, Vent-A-Hood™'s Build-A-Hood platform can help you design the hood you've been dreaming about.

ACTIVE CANOPY

Proper collection is the most crucial element of good cooking ventilation. Vent-a-Hood's large active canopy design, with the largest holding capacity in the industry, collects contaminants while the Magic Lung® draws them in for elimination.

PATENTED E-Z CLEAN™ SYSTEM

The 3-step process for cleaning your Magic Lung® couldn't be easier. Simply locate the tray and slide it out to remove, then wash in a dishwasher or with warm soapy water, then let it dry and put it back. E-Z!

FIRE-SAFETY

The Magic Lung® grease liquification and extraction abilities make for one of the most fire-safe products on the market. In 85 years, we have never received a substantiated fire claim while the product was being used.

5 YEAR WARRANTY

VentAhood®

ABOUT *Premier Magic Lung*®

BHSLD Models

Includes the patented **Magic Lung**® blower system.

The standard ventilation of the **BHSLD** model is intended for use over **standard-style** cooking equipment.

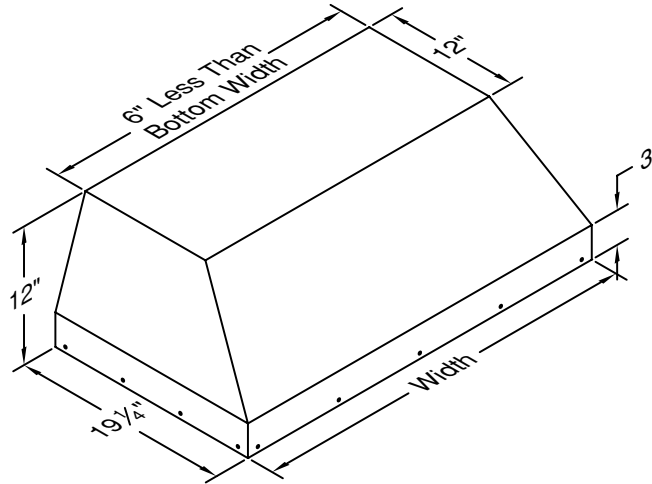
All units include **LED lighting**.

Equipped with the **SensaSource**® heat sensor.

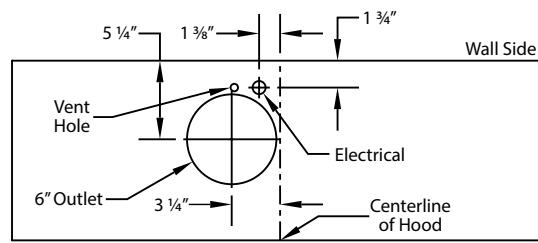
All liners in this series are **19 1/4"** deep.

Recommended mounting height is **24" - 27"** above the cooking surface.

Equipped with LED lighting. Not available with heat lamps.

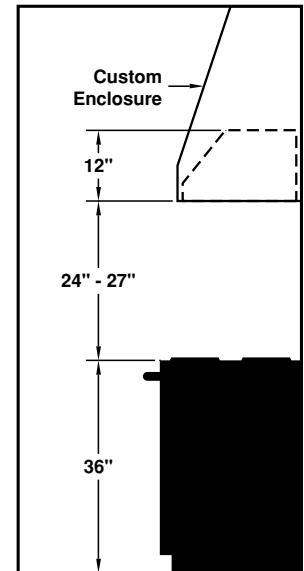


Connection Diagram



300 CFM B100 Single Blower (Top View)

Recommended Mounting Height*



*Recommended mounting height is for optimum performance.

Width:	28 3/8"
Depth:	19 1/4"
Height:	12"
CFM:	300
Sones:	5.4
Amps:	2.5
Number of Lights:	2

Electrical/Mechanical Specifications For Blower Unit

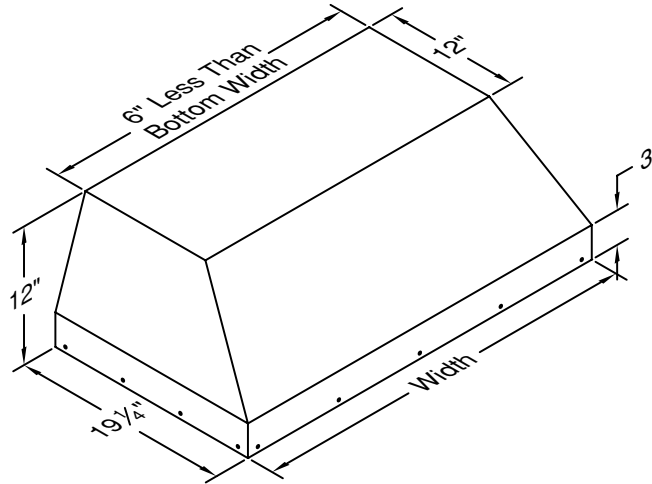
Model	Volts	Amps	Hz	RPM	CFM SP@0.0"	Equivalent CFM*	CFM SP@0.1"	CFM SP@0.2"	CFM SP@0.3"	Minimum Round Duct Size	Sones#
B100 Single	115	2.5	60	1550	300	450	273	245	225	6" (28 in. ²)	5.4

Hood is available with LED lights (2 lights: 30" - 41", 3 lights: 42" - 48").
 • Because the Magic Lung® blower uses centrifugal filtration rather than conventional baffle or mesh filters, the Magic Lung® blower can handle cooking equipment with higher cubic feet per minute (CFM) requirements and can deliver equivalent CFM much more efficiently than other filtration systems. When comparing the Magic Lung® with other blower units made by other manufacturers, use the "Equivalent CFM".
 # Ratings in accordance with the Standard Test Code by the Energy Systems Laboratory of the Texas Engineering Experiment Station.

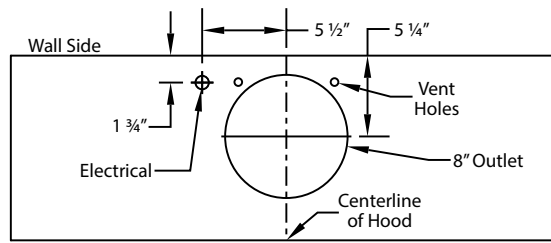
SPECIFICATIONS SUBJECT TO CHANGE WITHOUT NOTICE Rev. 0516A



Equipped with LED lighting. Not available with heat lamps.

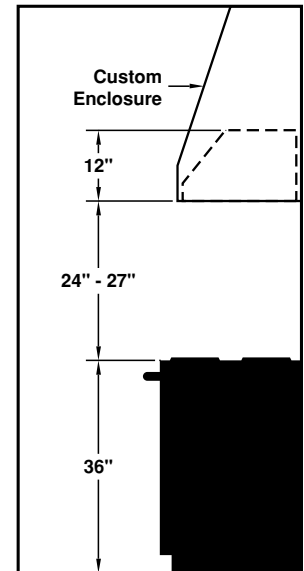


Connection Diagram



600 CFM B200 Dual Blower (Top View)

Recommended Mounting Height*



*Recommended mounting height is for optimum performance.

Width:	28 3/8"
Depth:	19 1/4"
Height:	12"
CFM:	600
Sones:	6.5
Amps:	4.0
Number of Lights:	2

Electrical/Mechanical Specifications For Blower Unit

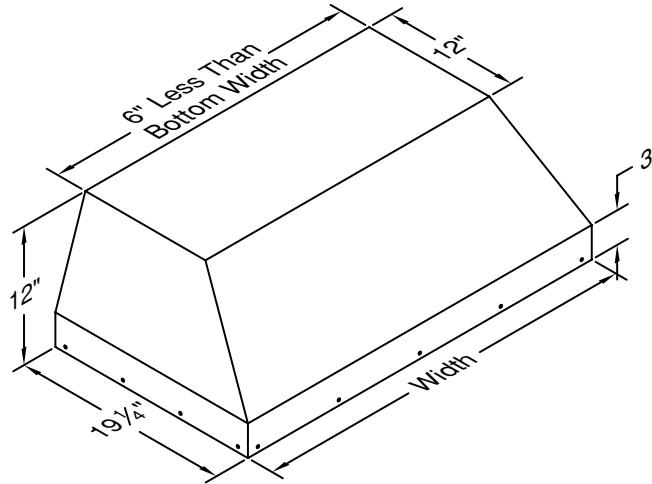
Model	Volts	Amps	Hz	RPM	CFM SP@0.0"	Equivalent CFM*	CFM SP@0.1"	CFM SP@0.2"	CFM SP@0.3"	Minimum Round Duct Size	Sones#
B200 Dual	115	4.0	60	1550	600	900	531	480	430	8" (50 in. ²)	6.5

Hood is available with LED lights (2 lights: 30" - 41", 3 lights: 42" - 48").
 * Because the Magic Lung® blower uses centrifugal filtration rather than conventional baffle or mesh filters, the Magic Lung® blower can handle cooking equipment with higher cubic feet per minute (CFM) requirements and can deliver equivalent CFM much more efficiently than other filtration systems. When comparing the Magic Lung® with other blower units made by other manufacturers, use the "Equivalent CFM".
 # Ratings in accordance with the Standard Test Code by the Energy Systems Laboratory of the Texas Engineering Experiment Station.

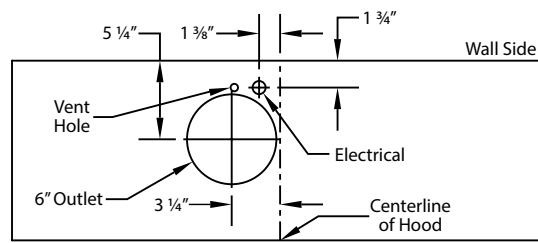
SPECIFICATIONS SUBJECT TO CHANGE WITHOUT NOTICE Rev. 0516A



Equipped with LED lighting. Not available with heat lamps.

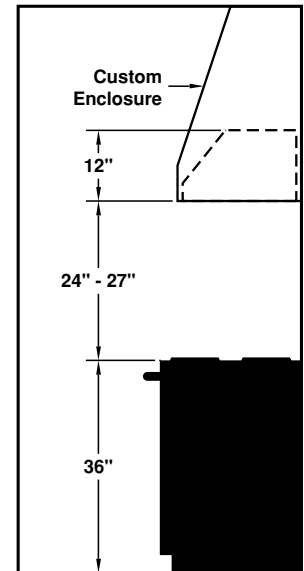


Connection Diagram



300 CFM B100 Single Blower (Top View)

Recommended Mounting Height*



*Recommended mounting height is for optimum performance.

Width:	34 3/8"
Depth:	19 1/4"
Height:	12"
CFM:	300
Sones:	5.4
Amps:	2.5
Number of Lights:	2

Electrical/Mechanical Specifications For Blower Unit

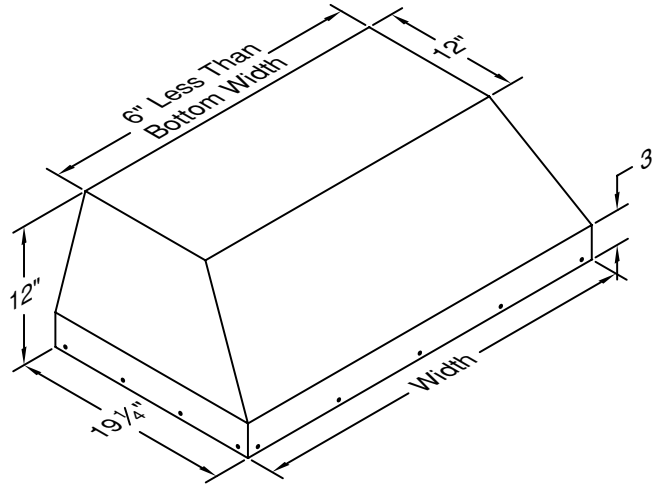
Model	Volts	Amps	Hz	RPM	CFM SP@0.0"	Equivalent CFM*	CFM SP@0.1"	CFM SP@0.2"	CFM SP@0.3"	Minimum Round Duct Size	Sones#
B100 Single	115	2.5	60	1550	300	450	273	245	225	6" (28 in. ²)	5.4

Hood is available with LED lights (2 lights: 30" - 41", 3 lights: 42" - 48").
 • Because the Magic Lung® blower uses centrifugal filtration rather than conventional baffle or mesh filters, the Magic Lung® blower can handle cooking equipment with higher cubic feet per minute (CFM) requirements and can deliver equivalent CFM much more efficiently than other filtration systems. When comparing the Magic Lung® with other blower units made by other manufacturers, use the "Equivalent CFM".
 # Ratings in accordance with the Standard Test Code by the Energy Systems Laboratory of the Texas Engineering Experiment Station.

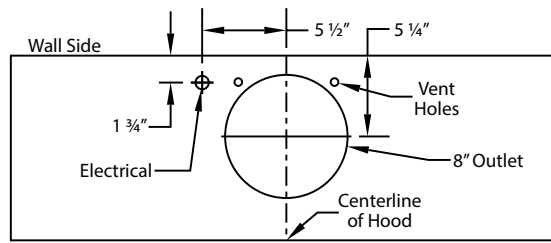
SPECIFICATIONS SUBJECT TO CHANGE WITHOUT NOTICE Rev. 0516A



Equipped with LED lighting. Not available with heat lamps.

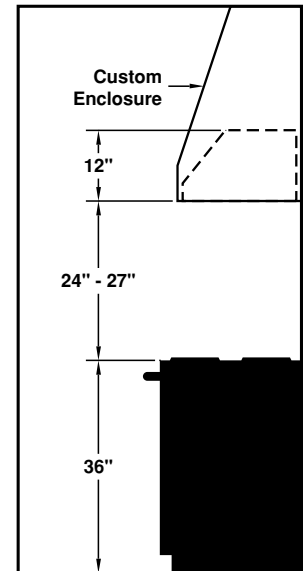


Connection Diagram



600 CFM B200 Dual Blower (Top View)

Recommended Mounting Height*



*Recommended mounting height is for optimum performance.

Width:	34 3/8"
Depth:	19 1/4"
Height:	12"
CFM:	600
Sones:	6.5
Amps:	4.0
Number of Lights:	2

Electrical/Mechanical Specifications For Blower Unit

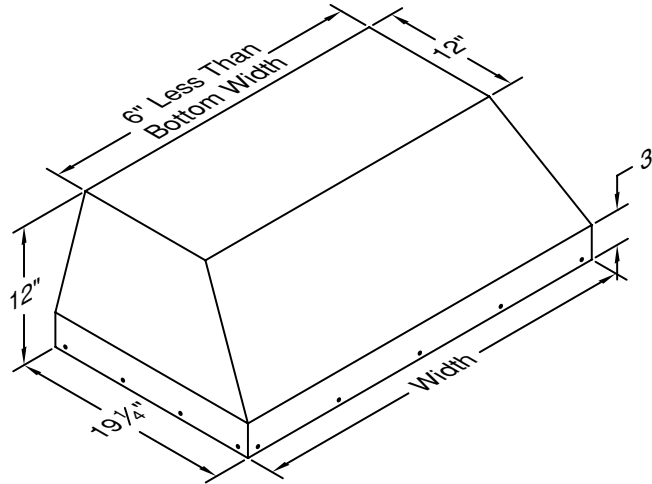
Model	Volts	Amps	Hz	RPM	CFM SP@0.0"	Equivalent CFM*	CFM SP@0.1"	CFM SP@0.2"	CFM SP@0.3"	Minimum Round Duct Size	Sones#
B200 Dual	115	4.0	60	1550	600	900	531	480	430	8" (50 in. ²)	6.5

Hood is available with LED lights (2 lights: 30" - 41", 3 lights: 42" - 48").
 * Because the Magic Lung® blower uses centrifugal filtration rather than conventional baffle or mesh filters, the Magic Lung® blower can handle cooking equipment with higher cubic feet per minute (CFM) requirements and can deliver equivalent CFM much more efficiently than other filtration systems. When comparing the Magic Lung® with other blower units made by other manufacturers, use the "Equivalent CFM".
 # Ratings in accordance with the Standard Test Code by the Energy Systems Laboratory of the Texas Engineering Experiment Station.

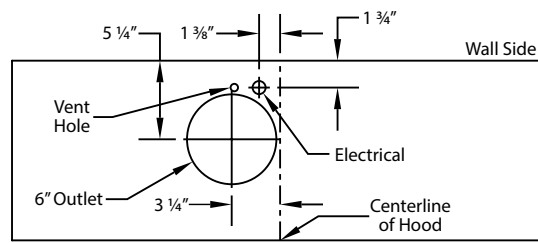
SPECIFICATIONS SUBJECT TO CHANGE WITHOUT NOTICE Rev. 0516A



Equipped with LED lighting. Not available with heat lamps.

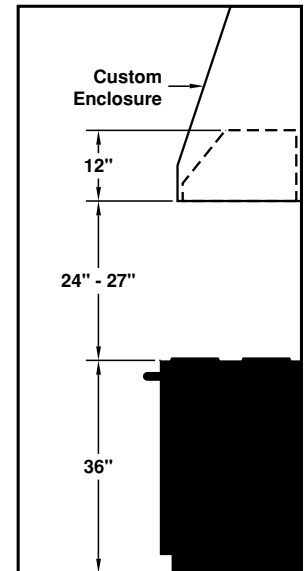


Connection Diagram



300 CFM B100 Single Blower (Top View)

Recommended Mounting Height*



*Recommended mounting height is for optimum performance.

Width:	40 3/8"
Depth:	19 1/4"
Height:	12"
CFM:	300
Sones:	5.4
Amps:	2.5
Number of Lights:	2

Electrical/Mechanical Specifications For Blower Unit

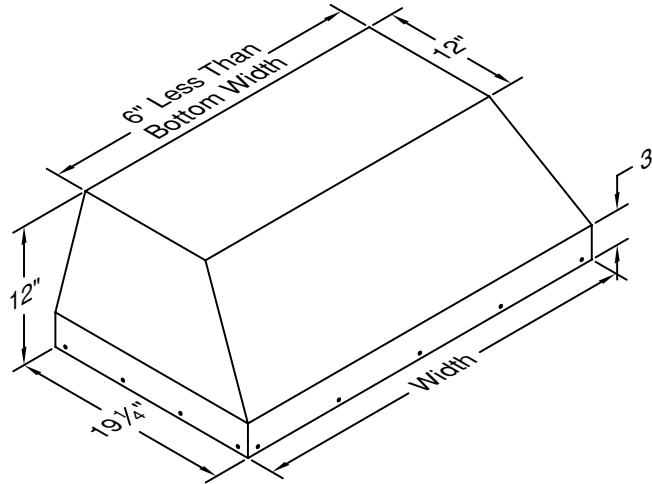
Model	Volts	Amps	Hz	RPM	CFM SP@0.0"	Equivalent CFM*	CFM SP@0.1"	CFM SP@0.2"	CFM SP@0.3"	Minimum Round Duct Size	Sones#
B100 Single	115	2.5	60	1550	300	450	273	245	225	6" (28 in. ²)	5.4

Hood is available with LED lights (2 lights: 30" - 41", 3 lights: 42" - 48").
 • Because the Magic Lung® blower uses centrifugal filtration rather than conventional baffle or mesh filters, the Magic Lung® blower can handle cooking equipment with higher cubic feet per minute (CFM) requirements and can deliver equivalent CFM much more efficiently than other filtration systems. When comparing the Magic Lung® with other blower units made by other manufacturers, use the "Equivalent CFM".
 # Ratings in accordance with the Standard Test Code by the Energy Systems Laboratory of the Texas Engineering Experiment Station.

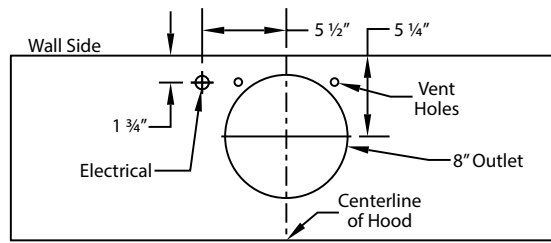
SPECIFICATIONS SUBJECT TO CHANGE WITHOUT NOTICE Rev. 0516A



Equipped with LED lighting. Not available with heat lamps.

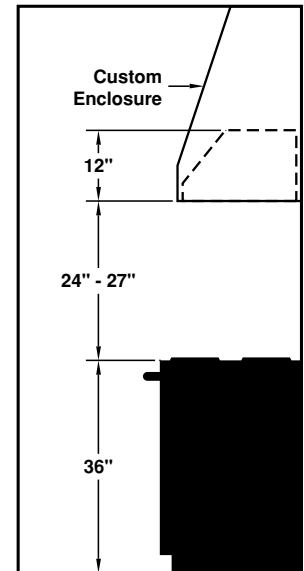


Connection Diagram



600 CFM B200 Dual Blower (Top View)

Recommended Mounting Height*



*Recommended mounting height is for optimum performance.

Width:	40 3/8"
Depth:	19 1/4"
Height:	12"
CFM:	600
Sones:	6.5
Amps:	4.0
Number of Lights:	2

Electrical/Mechanical Specifications For Blower Unit

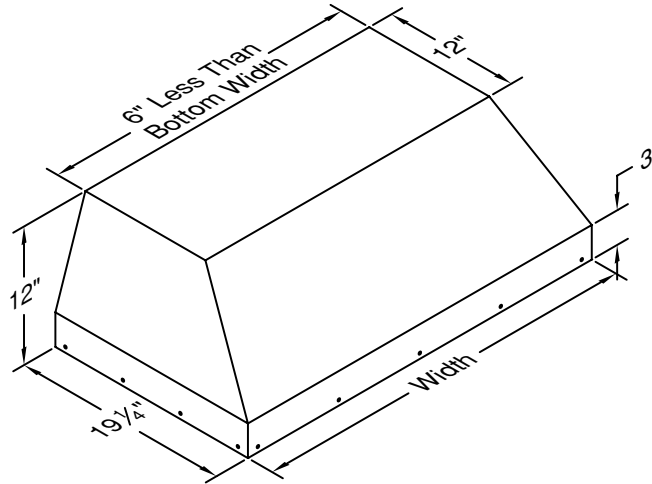
Model	Volts	Amps	Hz	RPM	CFM SP@0.0"	Equivalent CFM*	CFM SP@0.1"	CFM SP@0.2"	CFM SP@0.3"	Minimum Round Duct Size	Sones#
B200 Dual	115	4.0	60	1550	600	900	531	480	430	8" (50 in. ²)	6.5

Hood is available with LED lights (2 lights: 30" - 41", 3 lights: 42" - 48").
 * Because the Magic Lung® blower uses centrifugal filtration rather than conventional baffle or mesh filters, the Magic Lung® blower can handle cooking equipment with higher cubic feet per minute (CFM) requirements and can deliver equivalent CFM much more efficiently than other filtration systems. When comparing the Magic Lung® with other blower units made by other manufacturers, use the "Equivalent CFM".
 # Ratings in accordance with the Standard Test Code by the Energy Systems Laboratory of the Texas Engineering Experiment Station.

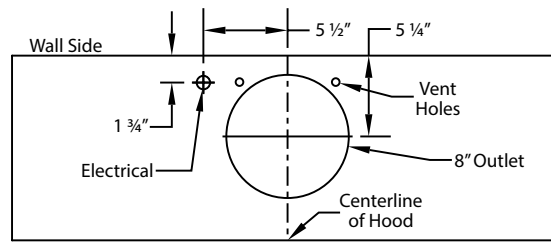
SPECIFICATIONS SUBJECT TO CHANGE WITHOUT NOTICE Rev. 0516A



Equipped with LED lighting. Not available with heat lamps.

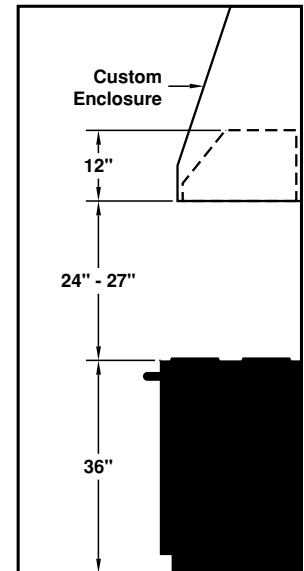


Connection Diagram



600 CFM B200 Dual Blower (Top View)

Recommended Mounting Height*



*Recommended mounting height is for optimum performance.

Width:	46 3/8"
Depth:	19 1/4"
Height:	12"
CFM:	600
Sones:	6.5
Amps:	4.0
Number of Lights:	3

Electrical/Mechanical Specifications For Blower Unit

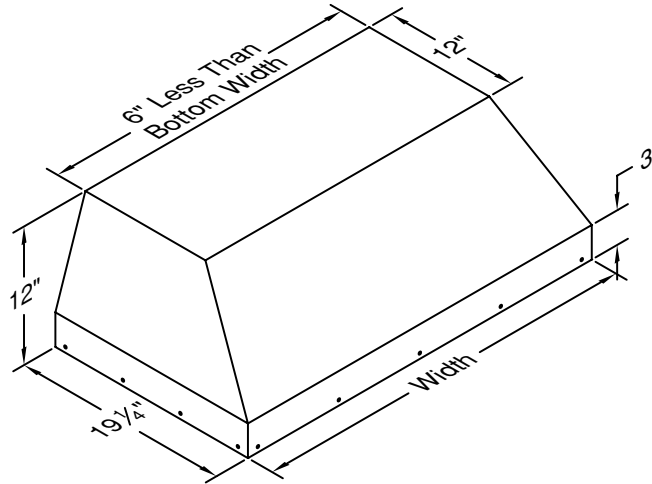
Model	Volts	Amps	Hz	RPM	CFM SP@0.0"	Equivalent CFM*	CFM SP@0.1"	CFM SP@0.2"	CFM SP@0.3"	Minimum Round Duct Size	Sones#
B200 Dual	115	4.0	60	1550	600	900	531	480	430	8" (50 in. ²)	6.5

Hood is available with LED lights (2 lights: 30" - 41", 3 lights: 42" - 48").
 • Because the Magic Lung® blower uses centrifugal filtration rather than conventional baffle or mesh filters, the Magic Lung® blower can handle cooking equipment with higher cubic feet per minute (CFM) requirements and can deliver equivalent CFM much more efficiently than other filtration systems. When comparing the Magic Lung® with other blower units made by other manufacturers, use the "Equivalent CFM".
 # Ratings in accordance with the Standard Test Code by the Energy Systems Laboratory of the Texas Engineering Experiment Station.

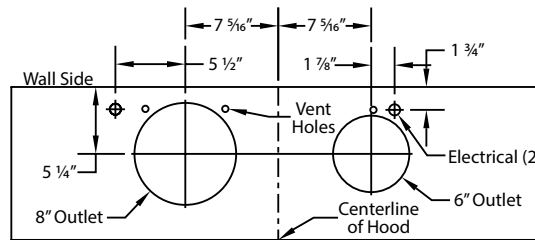
SPECIFICATIONS SUBJECT TO CHANGE WITHOUT NOTICE Rev. 0516A



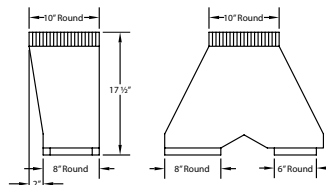
Equipped with LED lighting. Not available with heat lamps.



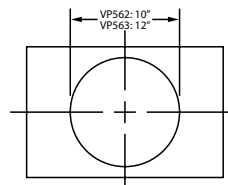
Connection Diagram



900 CFM B200 Dual & B100 Single Blower (Top View)

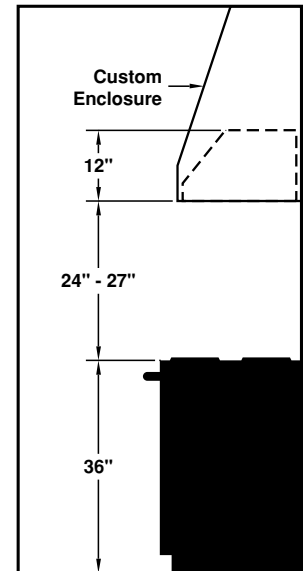


VP562 Transition (Optional) For B300 (B200 Dual Blower & B100 Single Blower)



VP562 transition centers outlet over top of hood

Recommended Mounting Height*



*Recommended mounting height is for optimum performance.

Width:	46 3/8"
Depth:	19 1/4"
Height:	12"
CFM:	900
Sones:	6.3
Amps:	6.0
Number of Lights:	3

Electrical/Mechanical Specifications For Blower Unit

Model	Volts	Amps	Hz	RPM	CFM SP@0.0"	Equivalent CFM*	CFM SP@0.1"	CFM SP@0.2"	CFM SP@0.3"	Minimum Round Duct Size	Sones#
B200 Dual & B100 Single	115	6.0	60	1550	900	1350	804	725	665	10" (79 in. ²)	6.3

Hood is available with LED lights (2 lights: 30" - 41", 3 lights: 42" - 48").
 • Because the Magic Lung® blower uses centrifugal filtration rather than conventional baffle or mesh filters, the Magic Lung® blower can handle cooking equipment with higher cubic feet per minute (CFM) requirements and can deliver equivalent CFM much more efficiently than other filtration systems. When comparing the Magic Lung® with other blower units made by other manufacturers, use the "Equivalent CFM".
 # Ratings in accordance with the Standard Test Code by the Energy Systems Laboratory of the Texas Engineering Experiment Station.

SPECIFICATIONS SUBJECT TO CHANGE WITHOUT NOTICE Rev. 0516A



ABOUT *Premier Magic Lung*®

BHPSLD Models

Includes the patented **Magic Lung**® blower system.

The extra depth and blower capacity of the **BHPSLD** model can be used above **professional-style** cooking equipment.

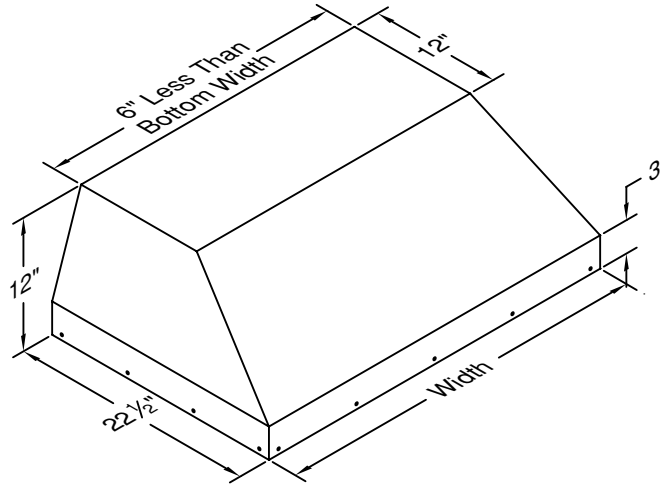
All units include **LED lighting**.

Equipped with the **SensaSource**® heat sensor.

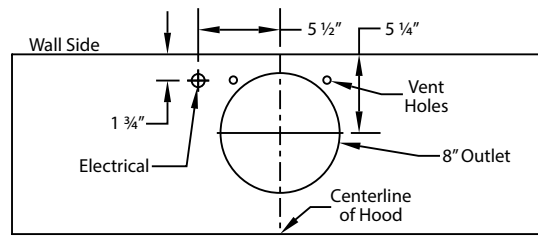
All liners in this series are **22 1/2"** deep.

Recommended mounting height is **27" - 30"** above the cooking surface.

Equipped with LED lighting. Not available with heat lamps.

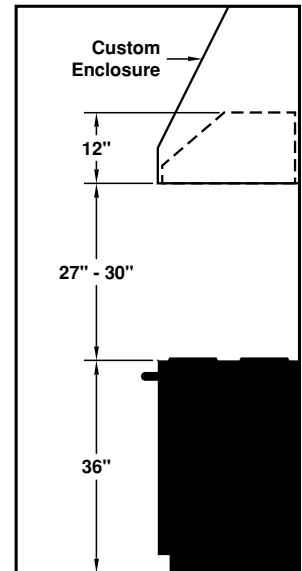


Connection Diagram



600 CFM B200 Dual Blower (Top View)

Recommended Mounting Height*



*Recommended mounting height is for optimum performance.

Width:	28 3/8"
Depth:	22 1/2"
Height:	12"
CFM:	600
Sones:	6.5
Amps:	4.0
Number of Lights:	2

Electrical/Mechanical Specifications For Blower Units

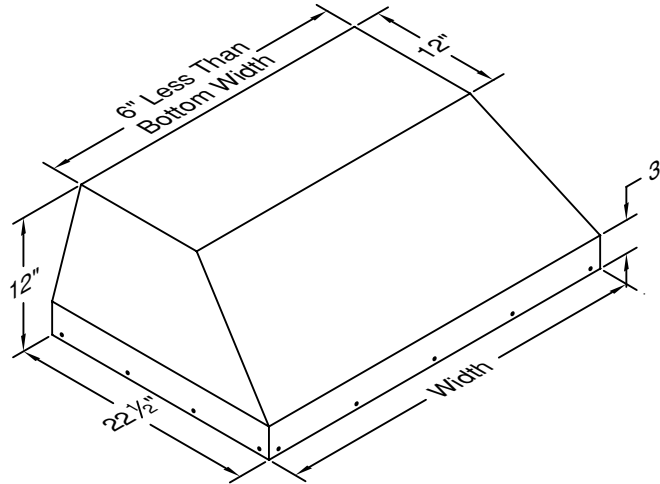
Model	Volts	Amps	Hz	RPM	CFM SP@0.0"	Equivalent CFM*	CFM SP@0.1"	CFM SP@0.2"	CFM SP@0.3"	Minimum Round Duct Size	Sones#
B200 Dual	115	4.0	60	1550	600	900	531	480	430	8" (50 in. ²)	6.5

Hood is available with LED lights (2 lights: 30" - 41", 3 lights: 42" - 53", 4 lights: 54" - 66").
 • Because the Magic Lung® blower uses centrifugal filtration rather than conventional baffle or mesh filters, the Magic Lung® blower can handle cooking equipment with higher cubic feet per minute (CFM) requirements and can deliver equivalent CFM much more efficiently than other filtration systems. When comparing the Magic Lung® with other blower units made by other manufacturers, use the "Equivalent CFM".
 # Ratings in accordance with the Standard Test Code by the Energy Systems Laboratory of the Texas Engineering Experiment Station.

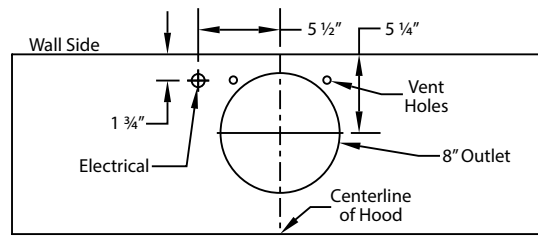
SPECIFICATIONS SUBJECT TO CHANGE WITHOUT NOTICE Rev. 0516A



Equipped with LED lighting. Not available with heat lamps.

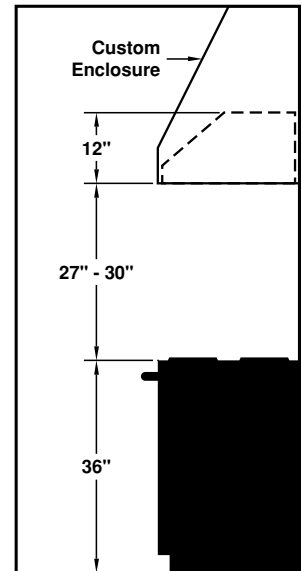


Connection Diagram



600 CFM B200 Dual Blower (Top View)

Recommended Mounting Height*



*Recommended mounting height is for optimum performance.

Width:	34 3/8"
Depth:	22 1/2"
Height:	12"
CFM:	600
Sones:	6.5
Amps:	4.0
Number of Lights:	2

Electrical/Mechanical Specifications For Blower Units

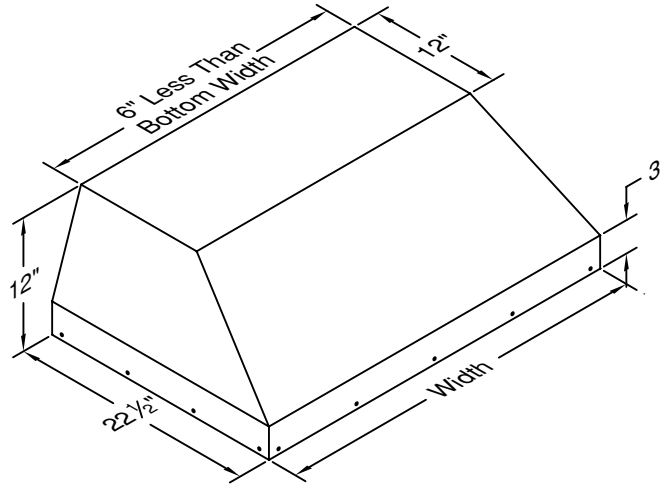
Model	Volts	Amps	Hz	RPM	CFM SP@0.0"	Equivalent CFM*	CFM SP@0.1"	CFM SP@0.2"	CFM SP@0.3"	Minimum Round Duct Size	Sones#
B200 Dual	115	4.0	60	1550	600	900	531	480	430	8" (50 in. ²)	6.5

Hood is available with LED lights (2 lights: 30" - 41", 3 lights: 42" - 53", 4 lights: 54" - 66").
 • Because the Magic Lung® blower uses centrifugal filtration rather than conventional baffle or mesh filters, the Magic Lung® blower can handle cooking equipment with higher cubic feet per minute (CFM) requirements and can deliver equivalent CFM much more efficiently than other filtration systems. When comparing the Magic Lung® with other blower units made by other manufacturers, use the "Equivalent CFM".
 # Ratings in accordance with the Standard Test Code by the Energy Systems Laboratory of the Texas Engineering Experiment Station.

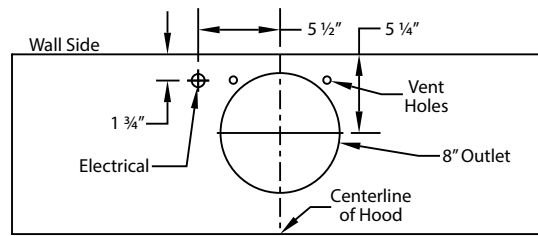
SPECIFICATIONS SUBJECT TO CHANGE WITHOUT NOTICE Rev. 0516A



Equipped with LED lighting. Not available with heat lamps.

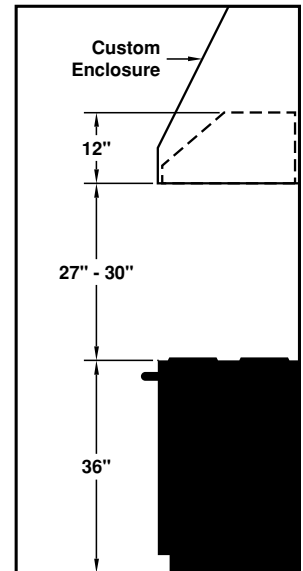


Connection Diagram



600 CFM B200 Dual Blower (Top View)

Recommended Mounting Height*



*Recommended mounting height is for optimum performance.

Width:	40 3/8"
Depth:	22 1/2"
Height:	12"
CFM:	600
Sones:	6.5
Amps:	4.0
Number of Lights:	2

Electrical/Mechanical Specifications For Blower Units

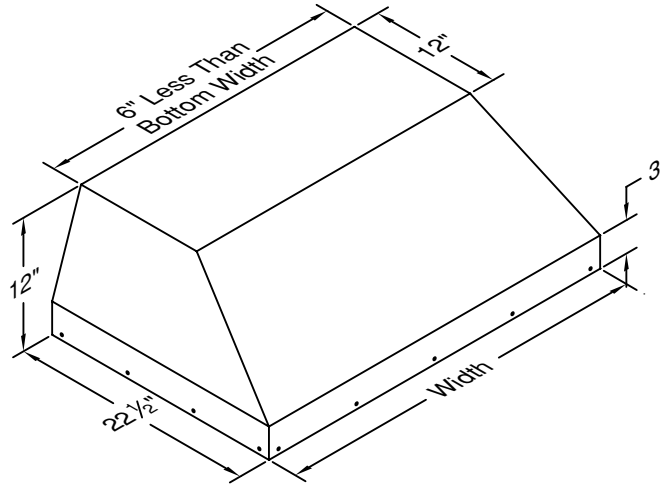
Model	Volts	Amps	Hz	RPM	CFM SP@0.0"	Equivalent CFM*	CFM SP@0.1"	CFM SP@0.2"	CFM SP@0.3"	Minimum Round Duct Size	Sones#
B200 Dual	115	4.0	60	1550	600	900	531	480	430	8" (50 in. ²)	6.5

Hood is available with LED lights (2 lights: 30" - 41", 3 lights: 42" - 53", 4 lights: 54" - 66").
 Because the Magic Lung® blower uses centrifugal filtration rather than conventional baffle or mesh filters, the Magic Lung® blower can handle cooking equipment with higher cubic feet per minute (CFM) requirements and can deliver equivalent CFM much more efficiently than other filtration systems. When comparing the Magic Lung® with other blower units made by other manufacturers, use the "Equivalent CFM".
 # Ratings in accordance with the Standard Test Code by the Energy Systems Laboratory of the Texas Engineering Experiment Station.

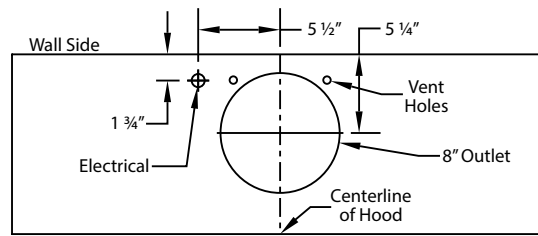
SPECIFICATIONS SUBJECT TO CHANGE WITHOUT NOTICE Rev. 0516A



Equipped with LED lighting. Not available with heat lamps.

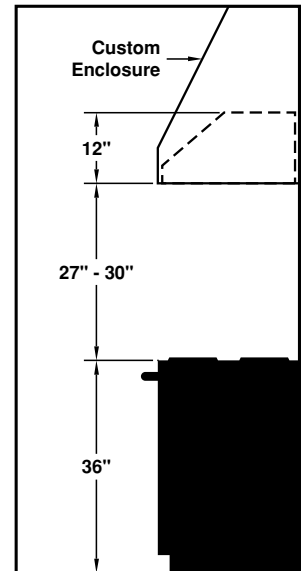


Connection Diagram



600 CFM B200 Dual Blower (Top View)

Recommended Mounting Height*



*Recommended mounting height is for optimum performance.

Width:	46 3/8"
Depth:	22 1/2"
Height:	12"
CFM:	600
Sones:	6.5
Amps:	4.0
Number of Lights:	3

Electrical/Mechanical Specifications For Blower Units

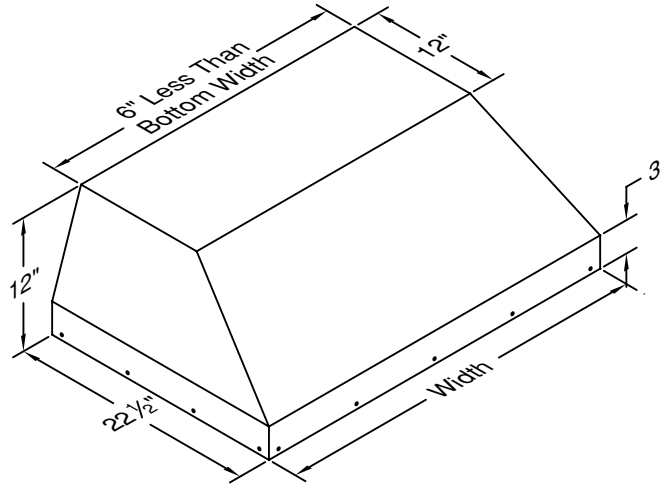
Model	Volts	Amps	Hz	RPM	CFM SP@0.0"	Equivalent CFM*	CFM SP@0.1"	CFM SP@0.2"	CFM SP@0.3"	Minimum Round Duct Size	Sones#
B200 Dual	115	4.0	60	1550	600	900	531	480	430	8" (50 in. ²)	6.5

Hood is available with LED lights (2 lights: 30" - 41", 3 lights: 42" - 53", 4 lights: 54" - 66").
 • Because the Magic Lung® blower uses centrifugal filtration rather than conventional baffle or mesh filters, the Magic Lung® blower can handle cooking equipment with higher cubic feet per minute (CFM) requirements and can deliver equivalent CFM much more efficiently than other filtration systems. When comparing the Magic Lung® with other blower units made by other manufacturers, use the "Equivalent CFM".
 # Ratings in accordance with the Standard Test Code by the Energy Systems Laboratory of the Texas Engineering Experiment Station.

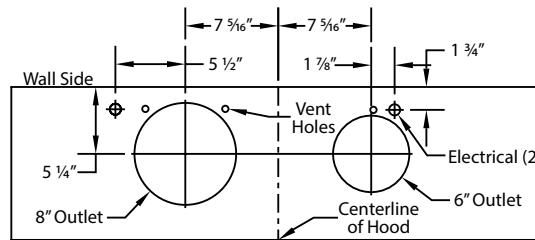
SPECIFICATIONS SUBJECT TO CHANGE WITHOUT NOTICE Rev. 0516A



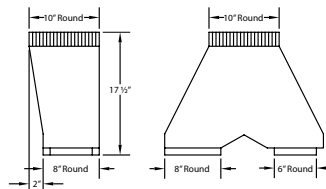
Equipped with LED lighting. Not available with heat lamps.



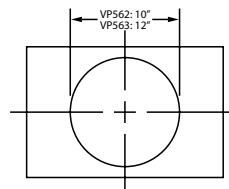
Connection Diagram



900 CFM B200 Dual & B100 Single Blower (Top View)

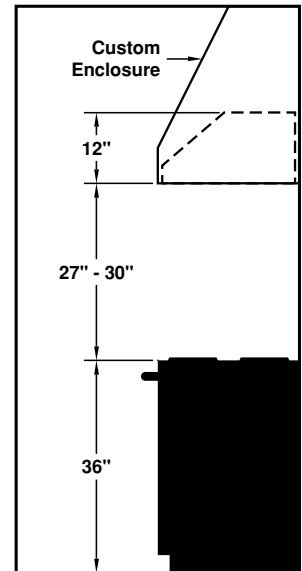


VP562 Transition (Optional) For B300 (B200 Dual Blower & B100 Single Blower)



VP562 transition centers outlet over top of hood

Recommended Mounting Height*



*Recommended mounting height is for optimum performance.

Width:	46 3/8"
Depth:	22 1/2"
Height:	12"
CFM:	900
Sones:	6.3
Amps:	6.0
Number of Lights:	3

Electrical/Mechanical Specifications For Blower Units

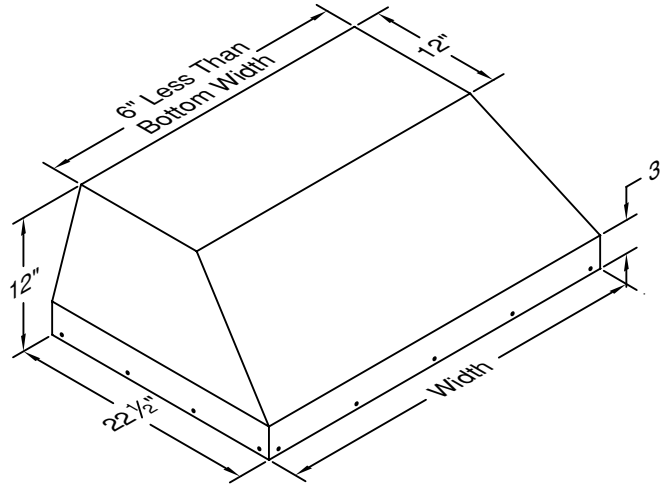
Model	Volts	Amps	Hz	RPM	CFM SP@0.0"	Equivalent CFM*	CFM SP@0.1"	CFM SP@0.2"	CFM SP@0.3"	Minimum Round Duct Size	Sones#
B200 Dual & B100 Single	115	6.0	60	1550	900	1350	804	725	665	10" (79 in. ²)	6.3

Hood is available with LED lights (2 lights: 30" - 41", 3 lights: 42" - 53", 4 lights: 54" - 66").
 Because the Magic Lung® blower uses centrifugal filtration rather than conventional baffle or mesh filters, the Magic Lung® blower can handle cooking equipment with higher cubic feet per minute (CFM) requirements and can deliver equivalent CFM much more efficiently than other filtration systems. When comparing the Magic Lung® with other blower units made by other manufacturers, use the "Equivalent CFM".
 # Ratings in accordance with the Standard Test Code by the Energy Systems Laboratory of the Texas Engineering Experiment Station.

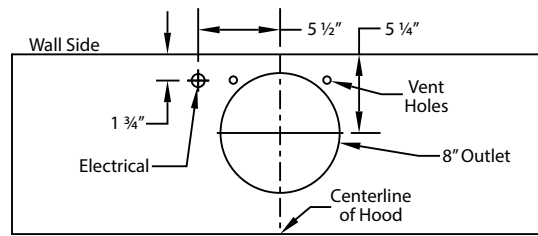
SPECIFICATIONS SUBJECT TO CHANGE WITHOUT NOTICE Rev. 0516A



Equipped with LED lighting. Not available with heat lamps.

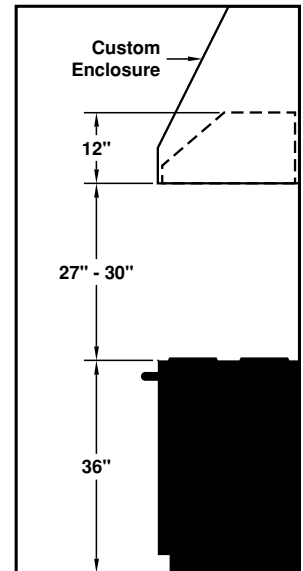


Connection Diagram



600 CFM B200 Dual Blower (Top View)

Recommended Mounting Height*



*Recommended mounting height is for optimum performance.

Width:	52 3/8"
Depth:	22 1/2"
Height:	12"
CFM:	600
Sones:	6.5
Amps:	4.0
Number of Lights:	3

Electrical/Mechanical Specifications For Blower Units

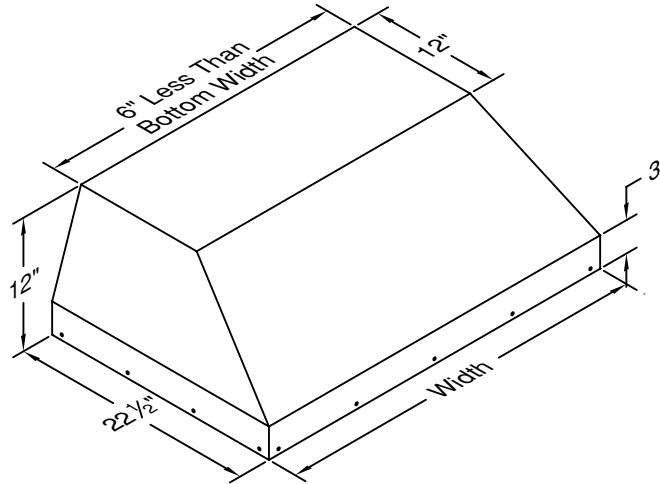
Model	Volts	Amps	Hz	RPM	CFM SP@0.0"	Equivalent CFM*	CFM SP@0.1"	CFM SP@0.2"	CFM SP@0.3"	Minimum Round Duct Size	Sones#
B200 Dual	115	4.0	60	1550	600	900	531	480	430	8" (50 in. ²)	6.5

Hood is available with LED lights (2 lights: 30" - 41", 3 lights: 42" - 53", 4 lights: 54" - 66").
 • Because the Magic Lung® blower uses centrifugal filtration rather than conventional baffle or mesh filters, the Magic Lung® blower can handle cooking equipment with higher cubic feet per minute (CFM) requirements and can deliver equivalent CFM much more efficiently than other filtration systems. When comparing the Magic Lung® with other blower units made by other manufacturers, use the "Equivalent CFM".
 # Ratings in accordance with the Standard Test Code by the Energy Systems Laboratory of the Texas Engineering Experiment Station.

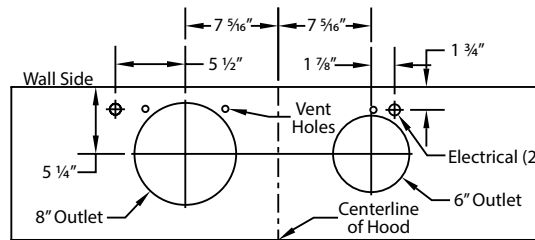
SPECIFICATIONS SUBJECT TO CHANGE WITHOUT NOTICE Rev. 0516A



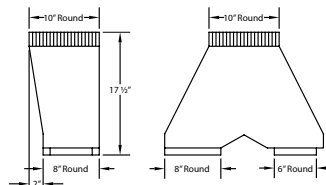
Equipped with LED lighting. Not available with heat lamps.



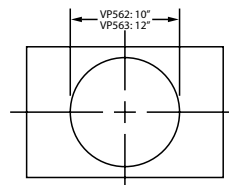
Connection Diagram



900 CFM B200 Dual & B100 Single Blower (Top View)

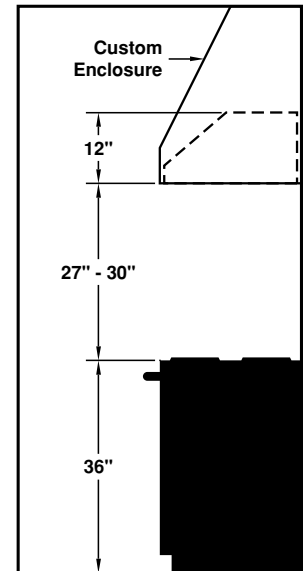


VP562 Transition (Optional) For B300 (B200 Dual Blower & B100 Single Blower)



VP562 transition centers outlet over top of hood

Recommended Mounting Height*



*Recommended mounting height is for optimum performance.

Width:	52 3/8"
Depth:	22 1/2"
Height:	12"
CFM:	900
Sones:	6.3
Amps:	6.0
Number of Lights:	3

Electrical/Mechanical Specifications For Blower Units

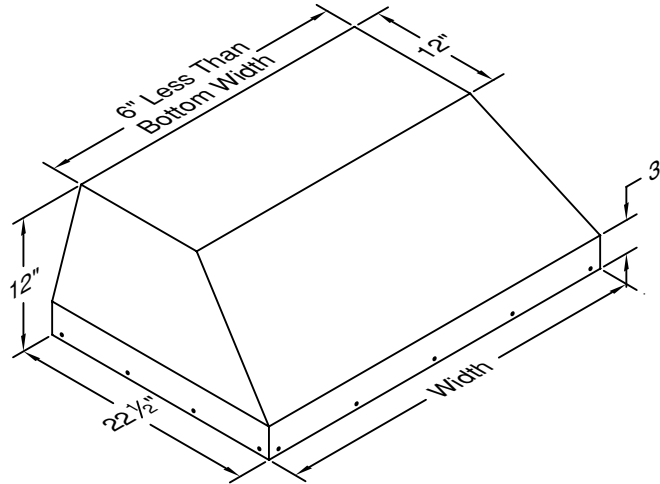
Model	Volts	Amps	Hz	RPM	CFM SP@0.0"	Equivalent CFM*	CFM SP@0.1"	CFM SP@0.2"	CFM SP@0.3"	Minimum Round Duct Size	Sones#
B200 Dual & B100 Single	115	6.0	60	1550	900	1350	804	725	665	10" (79 in. ²)	6.3

Hood is available with LED lights (2 lights: 30" - 41", 3 lights: 42" - 53", 4 lights: 54" - 66").
 Because the Magic Lung® blower uses centrifugal filtration rather than conventional baffle or mesh filters, the Magic Lung® blower can handle cooking equipment with higher cubic feet per minute (CFM) requirements and can deliver equivalent CFM much more efficiently than other filtration systems. When comparing the Magic Lung® with other blower units made by other manufacturers, use the "Equivalent CFM".
 # Ratings in accordance with the Standard Test Code by the Energy Systems Laboratory of the Texas Engineering Experiment Station.

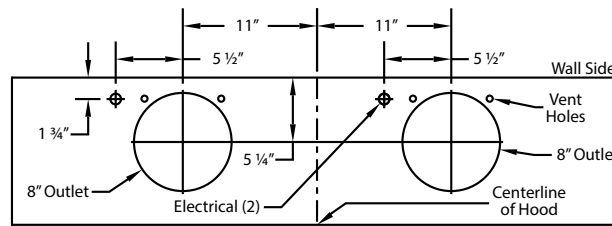
SPECIFICATIONS SUBJECT TO CHANGE WITHOUT NOTICE Rev. 0516A



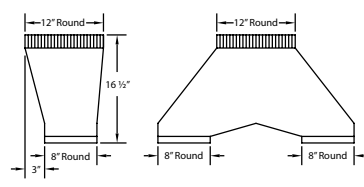
Equipped with LED lighting. Not available with heat lamps.



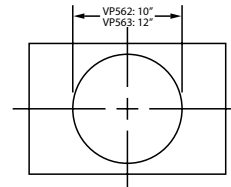
Connection Diagram



1200 CFM B200 Dual Blowers (Top View)

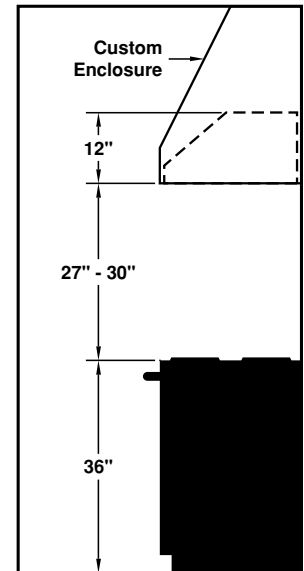


VP563 Transition (Optional) For B400 (Double B200 Blowers)



VP563 transition centers outlet over top of hood

Recommended Mounting Height*



*Recommended mounting height is for optimum performance.

Width:	52 3/8"
Depth:	22 1/2"
Height:	12"
CFM:	1200
Sones:	6.6
Amps:	7.5
Number of Lights:	3

Electrical/Mechanical Specifications For Blower Units

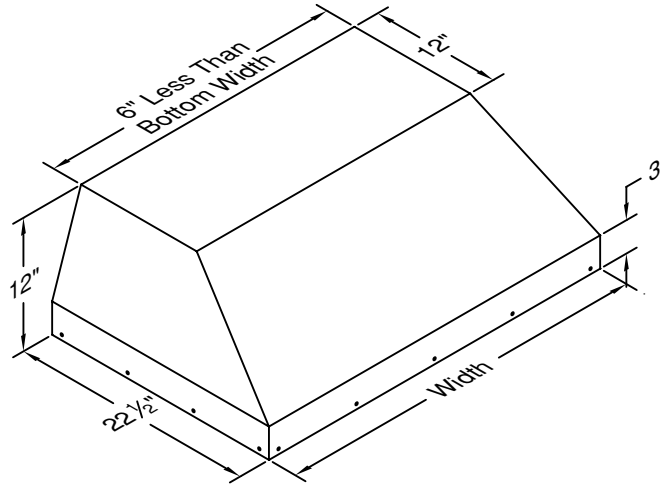
Model	Volts	Amps	Hz	RPM	CFM SP@0.0"	Equivalent CFM*	CFM SP@0.1"	CFM SP@0.2"	CFM SP@0.3"	Minimum Round Duct Size	Sones#
Two B200 Duals	115	7.5	60	1550	1200	1800	1062	960	860	12" (113 in. ²)	6.6

Hood is available with LED lights (2 lights: 30" - 41", 3 lights: 42" - 53", 4 lights: 54" - 66").
 Because the Magic Lung® blower uses centrifugal filtration rather than conventional baffle or mesh filters, the Magic Lung® blower can handle cooking equipment with higher cubic feet per minute (CFM) requirements and can deliver equivalent CFM much more efficiently than other filtration systems. When comparing the Magic Lung® with other blower units made by other manufacturers, use the "Equivalent CFM".
 # Ratings in accordance with the Standard Test Code by the Energy Systems Laboratory of the Texas Engineering Experiment Station.

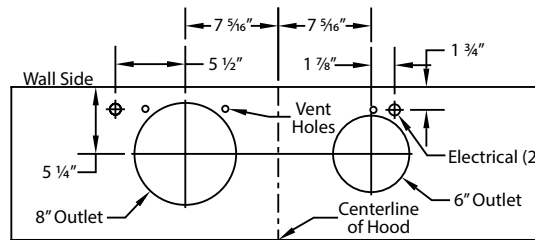
SPECIFICATIONS SUBJECT TO CHANGE WITHOUT NOTICE Rev. 0516A



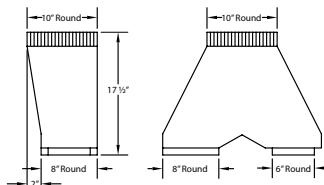
Equipped with LED lighting. Not available with heat lamps.



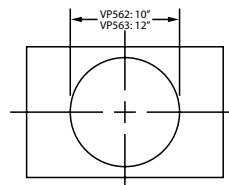
Connection Diagram



900 CFM B200 Dual & B100 Single Blower (Top View)

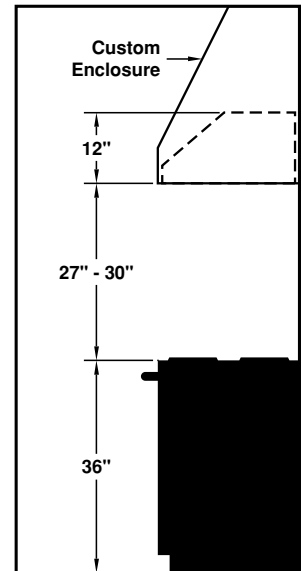


VP562 Transition (Optional) For B300 (B200 Dual Blower & B100 Single Blower)



VP562 transition centers outlet over top of hood

Recommended Mounting Height*



*Recommended mounting height is for optimum performance.

Width:	58 3/8"
Depth:	22 1/2"
Height:	12"
CFM:	900
Sones:	6.3
Amps:	6.0
Number of Lights:	4

Electrical/Mechanical Specifications For Blower Units

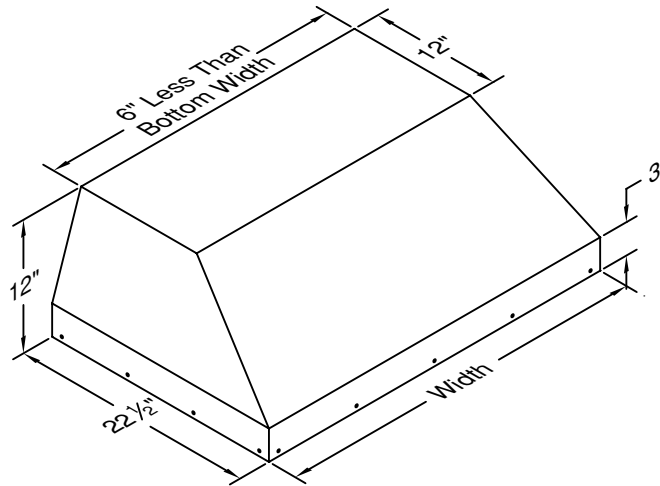
Model	Volts	Amps	Hz	RPM	CFM SP@0.0"	Equivalent CFM*	CFM SP@0.1"	CFM SP@0.2"	CFM SP@0.3"	Minimum Round Duct Size	Sones#
B200 Dual & B100 Single	115	6.0	60	1550	900	1350	804	725	665	10" (79 in. ²)	6.3

Hood is available with LED lights (2 lights: 30" - 41", 3 lights: 42" - 53", 4 lights: 54" - 66").
 Because the Magic Lung® blower uses centrifugal filtration rather than conventional baffle or mesh filters, the Magic Lung® blower can handle cooking equipment with higher cubic feet per minute (CFM) requirements and can deliver equivalent CFM much more efficiently than other filtration systems. When comparing the Magic Lung® with other blower units made by other manufacturers, use the "Equivalent CFM".
 # Ratings in accordance with the Standard Test Code by the Energy Systems Laboratory of the Texas Engineering Experiment Station.

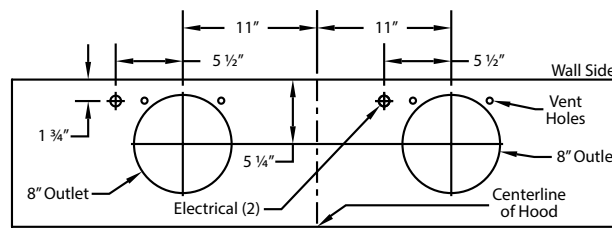
SPECIFICATIONS SUBJECT TO CHANGE WITHOUT NOTICE Rev. 0516A



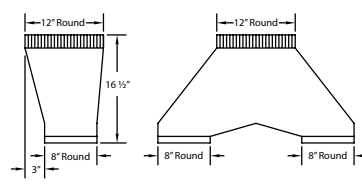
Equipped with LED lighting. Not available with heat lamps.



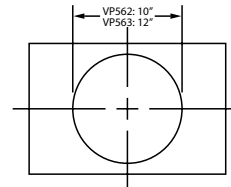
Connection Diagram



1200 CFM B200 Dual Blowers (Top View)

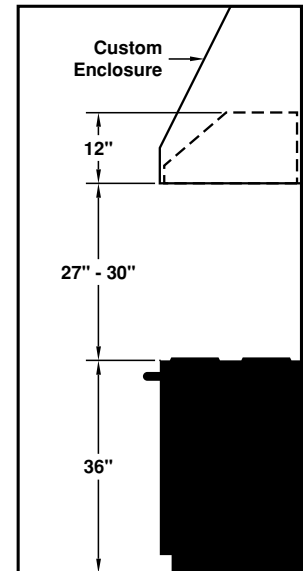


VP563 Transition (Optional) For B400 (Double B200 Blowers)



VP563 transition centers outlet over top of hood

Recommended Mounting Height*



*Recommended mounting height is for optimum performance.

Width:	58 3/8"
Depth:	22 1/2"
Height:	12"
CFM:	1200
Sones:	6.6
Amps:	7.5
Number of Lights:	4

Electrical/Mechanical Specifications For Blower Units

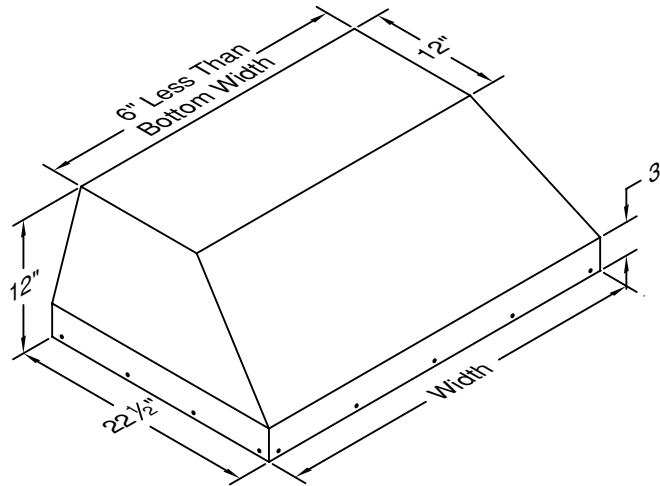
Model	Volts	Amps	Hz	RPM	CFM SP@0.0"	Equivalent CFM*	CFM SP@0.1"	CFM SP@0.2"	CFM SP@0.3"	Minimum Round Duct Size	Sones#
Two B200 Duals	115	7.5	60	1550	1200	1800	1062	960	860	12" (113 in. ²)	6.6

Hood is available with LED lights (2 lights: 30" - 41", 3 lights: 42" - 53", 4 lights: 54" - 66").
 • Because the Magic Lung® blower uses centrifugal filtration rather than conventional baffle or mesh filters, the Magic Lung® blower can handle cooking equipment with higher cubic feet per minute (CFM) requirements and can deliver equivalent CFM much more efficiently than other filtration systems. When comparing the Magic Lung® with other blower units made by other manufacturers, use the "Equivalent CFM".
 # Ratings in accordance with the Standard Test Code by the Energy Systems Laboratory of the Texas Engineering Experiment Station.

SPECIFICATIONS SUBJECT TO CHANGE WITHOUT NOTICE Rev. 0516A

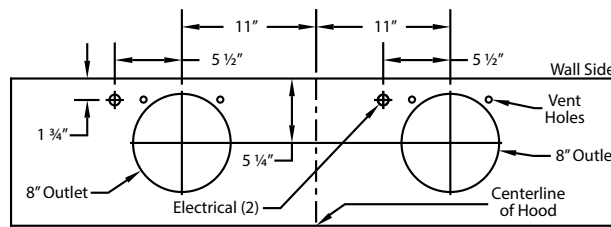


Equipped with LED lighting. Not available with heat lamps.

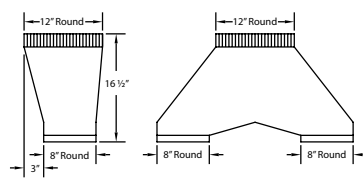


Connection Diagram

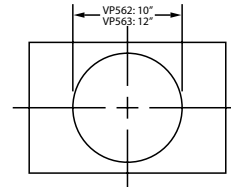
Width:	64 3/8"
Depth:	22 1/2"
Height:	12"
CFM:	1200
Sones:	6.6
Amps:	7.5
Number of Lights:	4



1200 CFM B200 Dual Blowers (Top View)

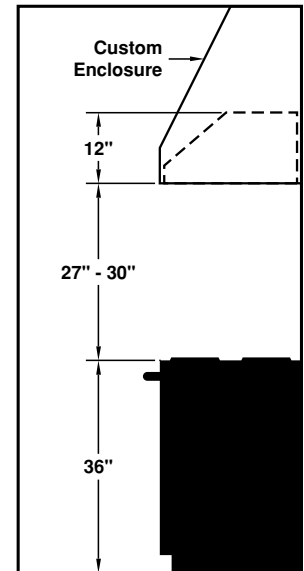


VP563 Transition (Optional) For B400 (Double B200 Blowers)



VP563 transition centers outlet over top of hood

Recommended Mounting Height*



*Recommended mounting height is for optimum performance.

Electrical/Mechanical Specifications For Blower Units

Model	Volts	Amps	Hz	RPM	CFM SP@0.0"	Equivalent CFM*	CFM SP@0.1"	CFM SP@0.2"	CFM SP@0.3"	Minimum Round Duct Size	Sones#
Two B200 Duals	115	7.5	60	1550	1200	1800	1062	960	860	12" (113 in. ²)	6.6

Hood is available with LED lights (2 lights: 30" - 41", 3 lights: 42" - 53", 4 lights: 54" - 66").
 Because the Magic Lung® blower uses centrifugal filtration rather than conventional baffle or mesh filters, the Magic Lung® blower can handle cooking equipment with higher cubic feet per minute (CFM) requirements and can deliver equivalent CFM much more efficiently than other filtration systems. When comparing the Magic Lung® with other blower units made by other manufacturers, use the "Equivalent CFM".
 # Ratings in accordance with the Standard Test Code by the Energy Systems Laboratory of the Texas Engineering Experiment Station.

SPECIFICATIONS SUBJECT TO CHANGE WITHOUT NOTICE Rev. 0516A



ABOUT *Premier Magic Lung*®

BHPSLB Models

When you need the **largest Magic Lung® blower capacity** but have a limited width, the **BHPSLB** model is the right choice.

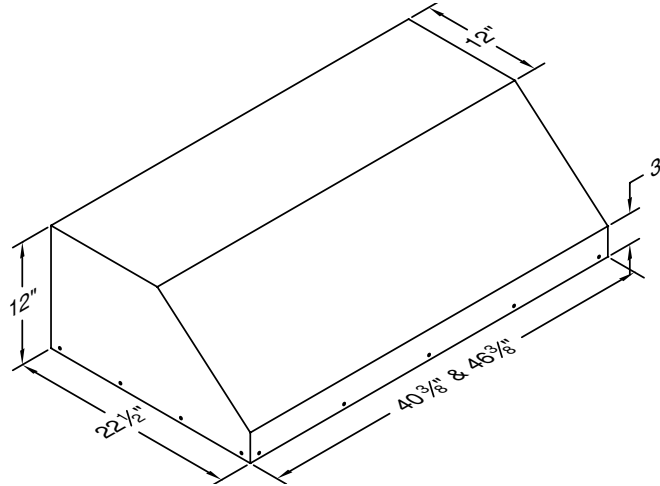
All units include **LED lighting**.

Equipped with the **SensaSource®** heat sensor.

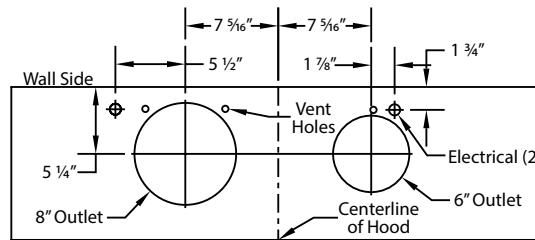
All liners in this series are **22 1/2"** deep.

Recommended mounting height is **27" - 30"** above the cooking surface.

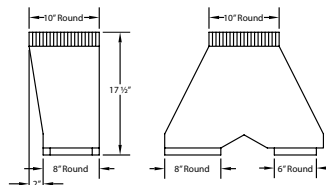
Equipped with LED lighting. Not available with heat lamps.



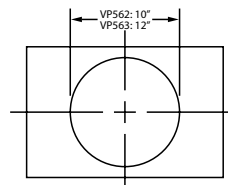
Connection Diagram



900 CFM B200 Dual & B100 Single Blower (Top View)

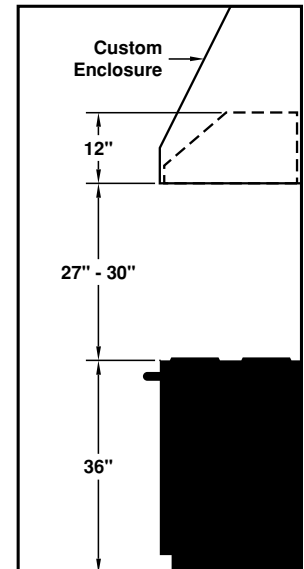


VP562 Transition (Optional) For B300 (B200 Dual Blower & B100 Single Blower)



VP562 transition centers outlet over top of hood

Recommended Mounting Height*



*Recommended mounting height is for optimum performance.

Width:	40 3/8"
Depth:	22 1/2"
Height:	12"
CFM:	900
Sones:	6.3
Amps:	6.0
Number of Lights:	3

Electrical/Mechanical Specifications For Blower Units

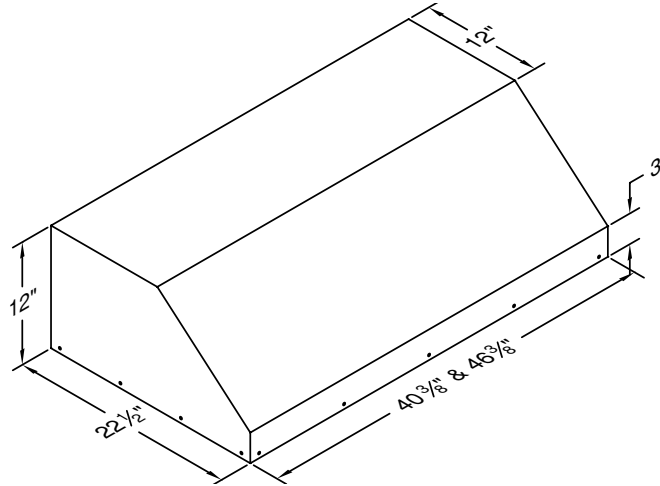
Model	Volts	Amps	Hz	RPM	CFM SP@0.0"	Equivalent CFM*	CFM SP@0.1"	CFM SP@0.2"	CFM SP@0.3"	Minimum Round Duct Size	Sones#
B200 Dual & B100 Single	115	6.0	60	1550	900	1350	804	725	665	10" (79 in. ²)	6.3

Equipped with three LED lights.
 • Because the Magic Lung® blower uses centrifugal filtration rather than conventional baffle or mesh filters, the Magic Lung® blower can handle cooking equipment with higher cubic feet per minute (CFM) requirements and can deliver equivalent CFM much more efficiently than other filtration systems. When comparing the Magic Lung® with other blower units made by other manufacturers, use the "Equivalent CFM".
 # Ratings in accordance with the Standard Test Code by the Energy Systems Laboratory of the Texas Engineering Experiment Station.

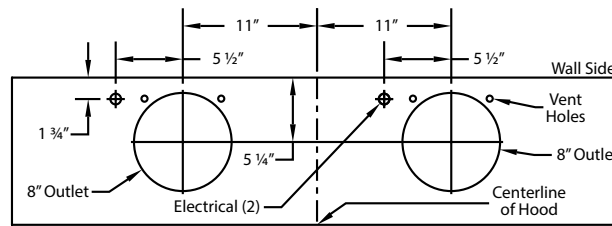
SPECIFICATIONS SUBJECT TO CHANGE WITHOUT NOTICE Rev. 0516A



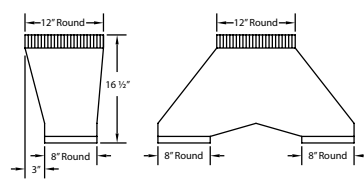
Equipped with LED lighting. Not available with heat lamps.



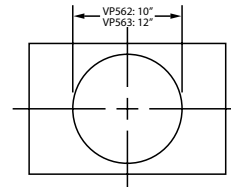
Connection Diagram



1200 CFM B200 Dual Blowers (Top View)

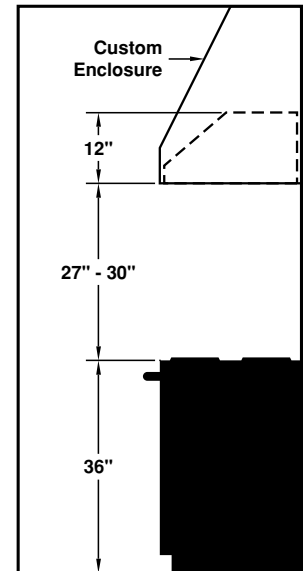


VP563 Transition (Optional) For B400 (Double B200 Blowers)



VP563 transition centers outlet over top of hood

Recommended Mounting Height*



*Recommended mounting height is for optimum performance.

Width:	46 3/8"
Depth:	22 1/2"
Height:	12"
CFM:	1200
Sones:	6.6
Amps:	7.5
Number of Lights:	3

Electrical/Mechanical Specifications For Blower Units

Model	Volts	Amps	Hz	RPM	CFM SP@0.0"	Equivalent CFM*	CFM SP@0.1"	CFM SP@0.2"	CFM SP@0.3"	Minimum Round Duct Size	Sones#
Two B200 Duals	115	7.5	60	1550	1200	1800	1062	960	860	12" (113 in. ²)	6.6

Equipped with three LED lights.
 • Because the Magic Lung® blower uses centrifugal filtration rather than conventional baffle or mesh filters, the Magic Lung® blower can handle cooking equipment with higher cubic feet per minute (CFM) requirements and can deliver equivalent CFM much more efficiently than other filtration systems. When comparing the Magic Lung® with other blower units made by other manufacturers, use the "Equivalent CFM".
 # Ratings in accordance with the Standard Test Code by the Energy Systems Laboratory of the Texas Engineering Experiment Station.

SPECIFICATIONS SUBJECT TO CHANGE WITHOUT NOTICE Rev. 0516A





Island Liner Inserts

Premier Magic Lung[®]

T-SERIES

VentA Hood[®]

ABOUT *Premier Magic Lung*®

THSLE Models

Includes the patented **Magic Lung**® blower system.

The standard ventilation of the **THSLE** model is intended for use over **standard-style** cooking equipment.

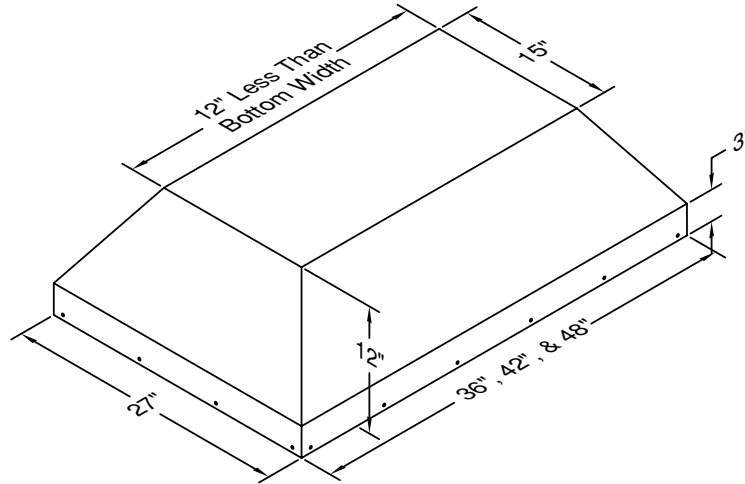
All units include **LED lighting**.

Equipped with the **SensaSource**® heat sensor.

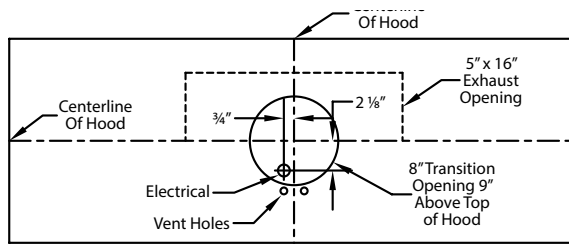
All liners in this series are **27"** deep.

Recommended mounting height is **30"** above the cooking surface.

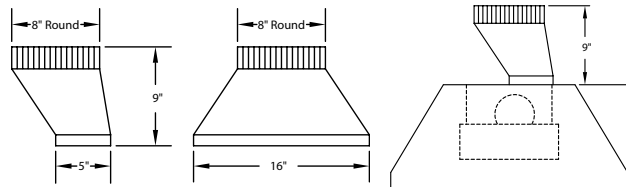
Equipped with LED lighting. Not available with heat lamps.



Connection Diagram



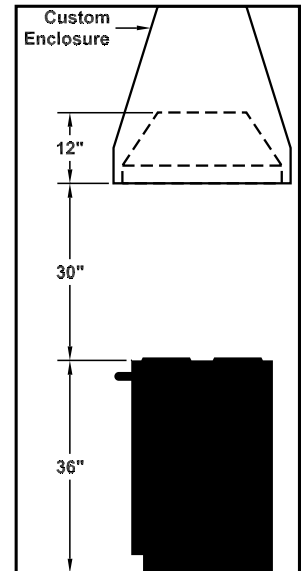
550CFM T200 Dual Blower (Top View)



VP565 Transition (Included)

Transition Installed (Side View)

Recommended Mounting Height*



*Recommended mounting height is for optimum performance.

Width:	36"
Depth:	27"
Height:	12"
CFM:	550
Sones:	6.0
Amps:	4.0
Number of Lights:	4

Electrical/Mechanical Specifications For Blower Units

Model	Volts	Amps	Hz	RPM	CFM SP@0.0"	Equivalent CFM*	CFM SP@0.1"	CFM SP@0.2"	CFM SP@0.3"	Minimum Round Duct Size	Sones#
T200 Island Dual	115	4.0	60	1550	550	900	507	471	431	8" (50 in. ²)	6.0

Hood is available with LED lights (one in each corner).

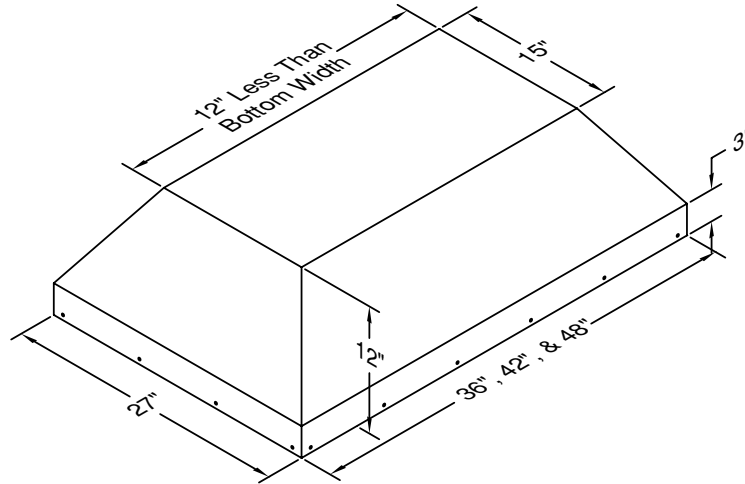
Because the Magic Lung® blower uses centrifugal filtration rather than conventional baffle or mesh filters, the Magic Lung® blower can handle cooking equipment with higher cubic feet per minute (CFM) requirements and can deliver equivalent CFM much more efficiently than other filtration systems. When comparing the Magic Lung® with other blower units made by other manufacturers, use the "Equivalent CFM".

Ratings in accordance with the Standard Test Code by the Energy Systems Laboratory of the Texas Engineering Experiment Station.

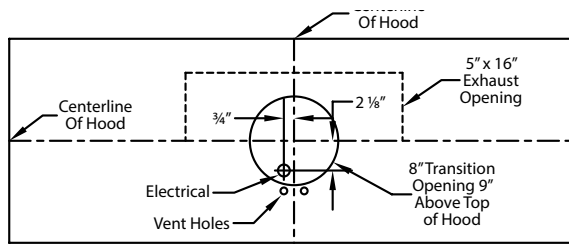
SPECIFICATIONS SUBJECT TO CHANGE WITHOUT NOTICE Rev. 0516A



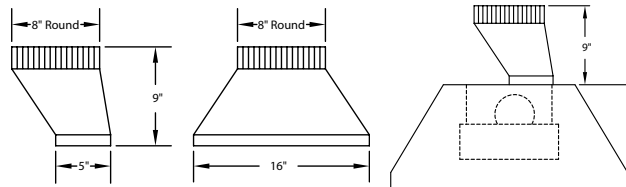
Equipped with LED lighting. Not available with heat lamps.



Connection Diagram



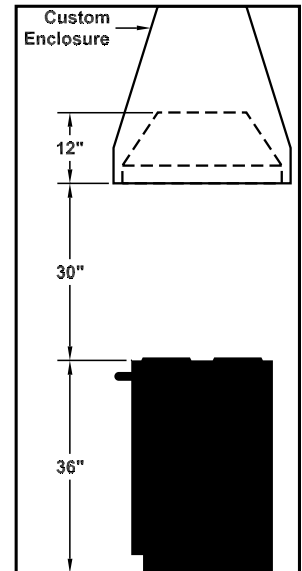
550CFM T200 Dual Blower (Top View)



VP565 Transition (Included)

Transition Installed (Side View)

Recommended Mounting Height*



*Recommended mounting height is for optimum performance.

Width:	42"
Depth:	27"
Height:	12"
CFM:	550
Sones:	6.0
Amps:	4.0
Number of Lights:	4

Electrical/Mechanical Specifications For Blower Units

Model	Volts	Amps	Hz	RPM	CFM SP@0.0"	Equivalent CFM*	CFM SP@0.1"	CFM SP@0.2"	CFM SP@0.3"	Minimum Round Duct Size	Sones#
T200 Island Dual	115	4.0	60	1550	550	900	507	471	431	8" (50 in. ²)	6.0

Hood is available with LED lights (one in each corner).

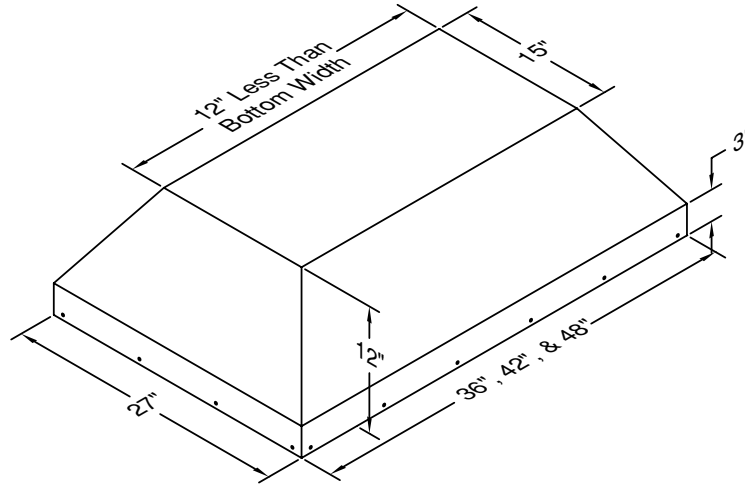
Because the Magic Lung® blower uses centrifugal filtration rather than conventional baffle or mesh filters, the Magic Lung® blower can handle cooking equipment with higher cubic feet per minute (CFM) requirements and can deliver equivalent CFM much more efficiently than other filtration systems. When comparing the Magic Lung® with other blower units made by other manufacturers, use the "Equivalent CFM".

Ratings in accordance with the Standard Test Code by the Energy Systems Laboratory of the Texas Engineering Experiment Station.

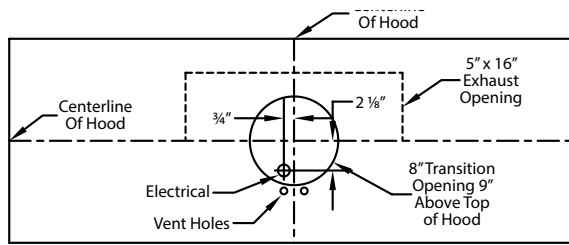
SPECIFICATIONS SUBJECT TO CHANGE WITHOUT NOTICE Rev. 0516A



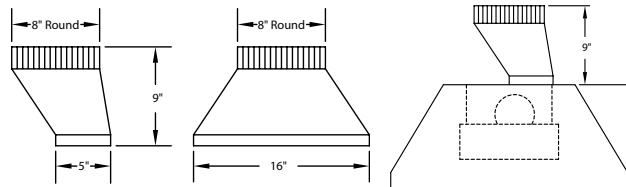
Equipped with LED lighting. Not available with heat lamps.



Connection Diagram



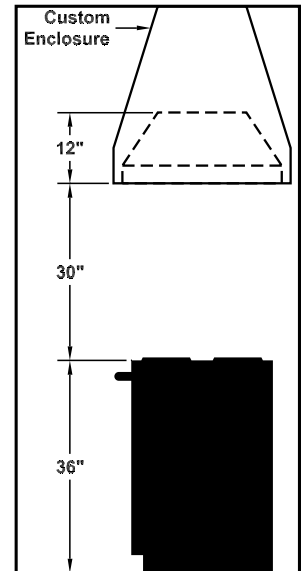
550CFM T200 Dual Blower (Top View)



VP565 Transition (Included)

Transition Installed (Side View)

Recommended Mounting Height*



*Recommended mounting height is for optimum performance.

Width:	48"
Depth:	27"
Height:	12"
CFM:	550
Sones:	6.0
Amps:	4.0
Number of Lights:	4

Electrical/Mechanical Specifications For Blower Units

Model	Volts	Amps	Hz	RPM	CFM SP@0.0"	Equivalent CFM*	CFM SP@0.1"	CFM SP@0.2"	CFM SP@0.3"	Minimum Round Duct Size	Sones#
T200 Island Dual	115	4.0	60	1550	550	900	507	471	431	8" (50 in. ²)	6.0

Hood is available with LED lights (one in each corner).

Because the Magic Lung® blower uses centrifugal filtration rather than conventional baffle or mesh filters, the Magic Lung® blower can handle cooking equipment with higher cubic feet per minute (CFM) requirements and can deliver equivalent CFM much more efficiently than other filtration systems. When comparing the Magic Lung® with other blower units made by other manufacturers, use the "Equivalent CFM".

Ratings in accordance with the Standard Test Code by the Energy Systems Laboratory of the Texas Engineering Experiment Station.

SPECIFICATIONS SUBJECT TO CHANGE WITHOUT NOTICE Rev. 0516A



ABOUT *Premier Magic Lung*®

THPSLE Models

Includes the patented **Magic Lung**® blower system.

When you require greater width and depth and larger blower capacity for **professional-style** cooking equipment, the **THPSLE** model is available.

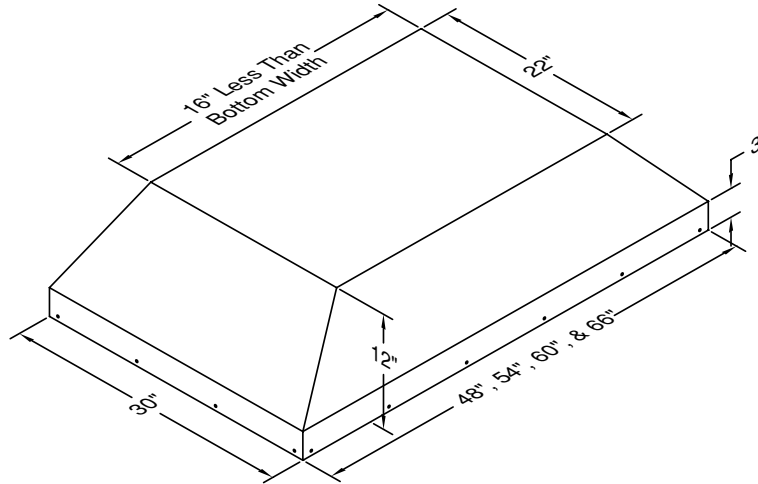
All units include **LED lighting**.

Equipped with the **SensaSource**® heat sensor.

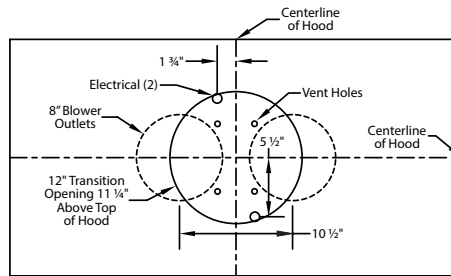
All liners in this series are **30"** deep.

Recommended mounting height is **30"** above the cooking surface.

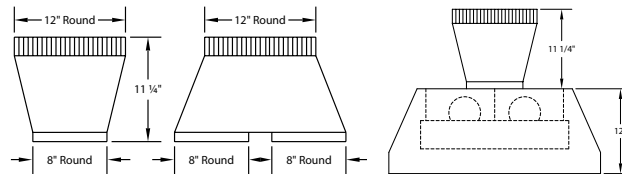
Equipped with LED lighting. Not available with heat lamps.



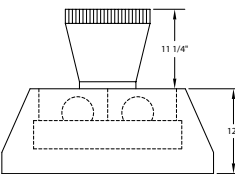
Connection Diagram



1100 CFM T400 Cluster Blower (Top View)

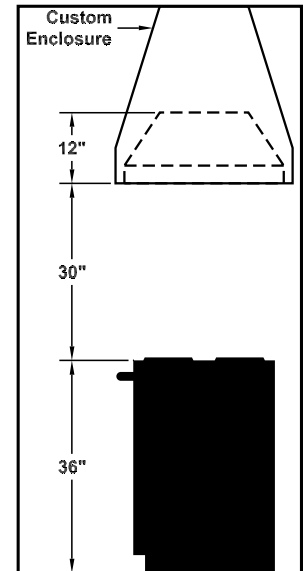


VP564 Standard Transition (Included)



Transition Installed (Side View)

Recommended Mounting Height*



*Recommended mounting height is for optimum performance.

Width:	48"
Depth:	30"
Height:	12"
CFM:	1100
Sones:	6.4
Amps:	7.5
Number of Lights:	4

Electrical/Mechanical Specifications For Blower Units

Model	Volts	Amps	Hz	RPM	CFM SP@0.0"	Equivalent CFM*	CFM SP@0.1"	CFM SP@0.2"	CFM SP@0.3"	Minimum Round Duct Size	Sones#
T400 Island Cluster	115	7.5	60	1550	1100	1800	998	855	774	12" (113 in. ²)	6.4

Hood is available with LED lights (one in each corner).

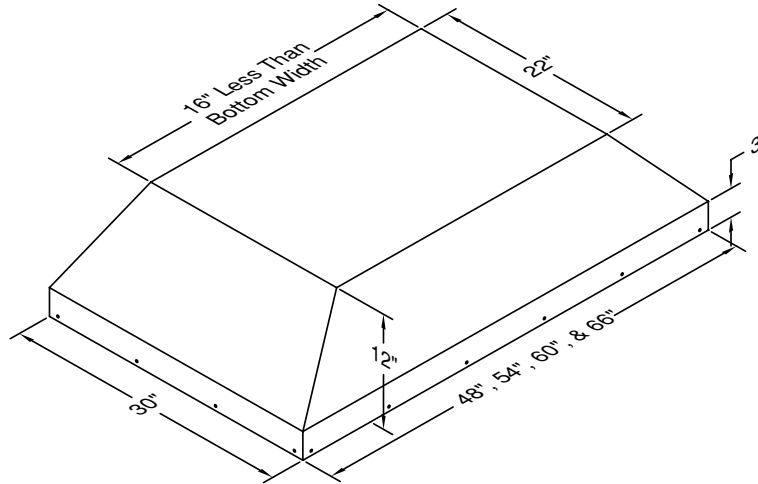
· Because the Magic Lung® blower uses centrifugal filtration rather than conventional baffle or mesh filters, the Magic Lung® blower can handle cooking equipment with higher cubic feet per minute (CFM) requirements and can deliver equivalent CFM much more efficiently than other filtration systems. When comparing the Magic Lung® with other blower units made by other manufacturers, use the "Equivalent CFM".

Ratings in accordance with the Standard Test Code by the Energy Systems Laboratory of the Texas Engineering Experiment Station.

SPECIFICATIONS SUBJECT TO CHANGE WITHOUT NOTICE Rev. 0516A

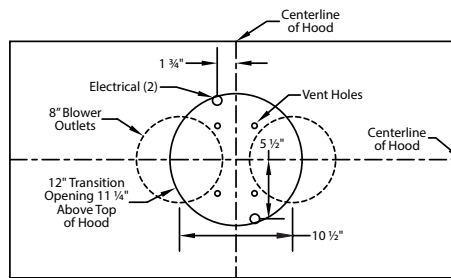


Equipped with LED lighting. Not available with heat lamps.

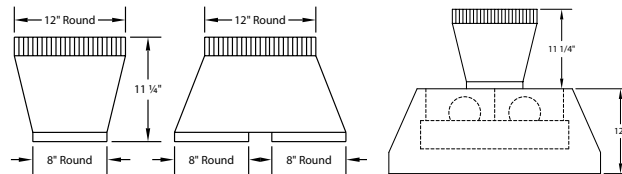


Connection Diagram

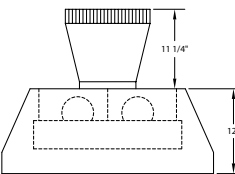
Width:	54"
Depth:	30"
Height:	12"
CFM:	1100
Sones:	6.4
Amps:	7.5
Number of Lights:	4



1100 CFM T400 Cluster Blower (Top View)

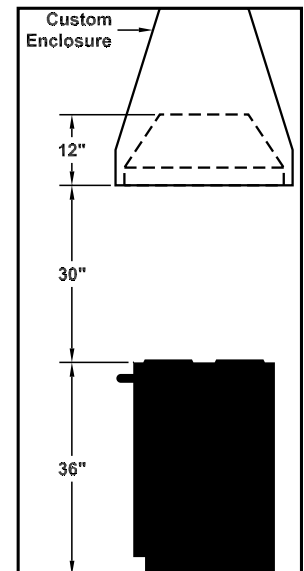


VP564 Standard Transition (Included)



Transition Installed (Side View)

Recommended Mounting Height*



*Recommended mounting height is for optimum performance.

Electrical/Mechanical Specifications For Blower Units

Model	Volts	Amps	Hz	RPM	CFM SP@0.0"	Equivalent CFM*	CFM SP@0.1"	CFM SP@0.2"	CFM SP@0.3"	Minimum Round Duct Size	Sones#
T400 Island Cluster	115	7.5	60	1550	1100	1800	998	855	774	12" (113 in. ²)	6.4

Hood is available with LED lights (one in each corner).

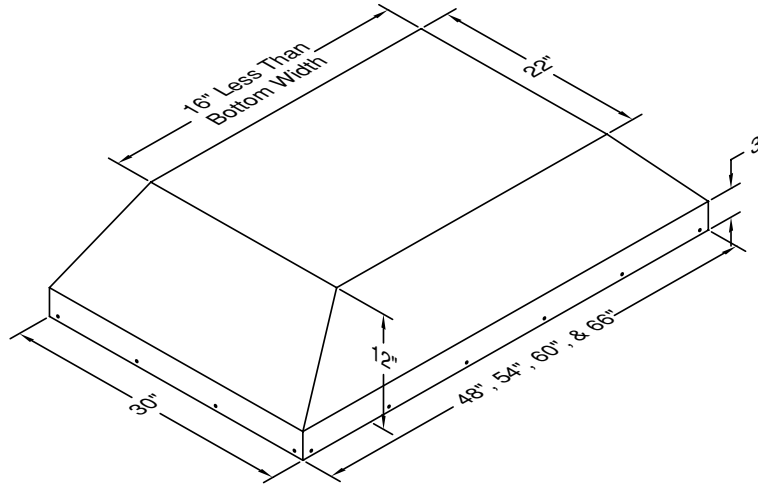
Because the Magic Lung® blower uses centrifugal filtration rather than conventional baffle or mesh filters, the Magic Lung® blower can handle cooking equipment with higher cubic feet per minute (CFM) requirements and can deliver equivalent CFM much more efficiently than other filtration systems. When comparing the Magic Lung® with other blower units made by other manufacturers, use the "Equivalent CFM".

Ratings in accordance with the Standard Test Code by the Energy Systems Laboratory of the Texas Engineering Experiment Station.

SPECIFICATIONS SUBJECT TO CHANGE WITHOUT NOTICE Rev. 0516A

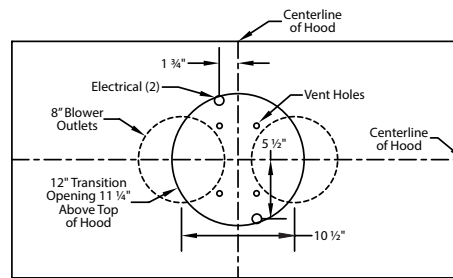


Equipped with LED lighting. Not available with heat lamps.

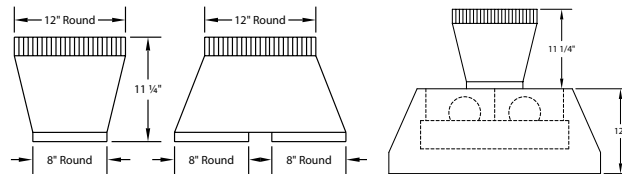


Connection Diagram

Width:	60"
Depth:	30"
Height:	12"
CFM:	1100
Sones:	6.4
Amps:	7.5
Number of Lights:	6



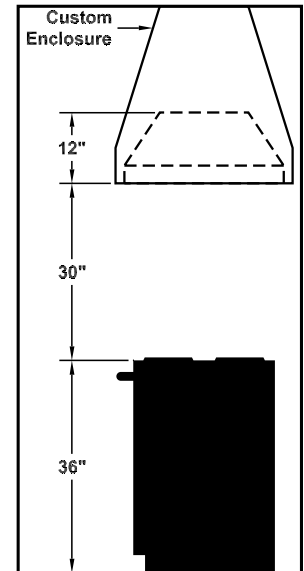
1100 CFM T400 Cluster Blower (Top View)



VP564 Standard Transition (Included)

Transition Installed (Side View)

Recommended Mounting Height*



*Recommended mounting height is for optimum performance.

Electrical/Mechanical Specifications For Blower Units

Model	Volts	Amps	Hz	RPM	CFM SP@0.0"	Equivalent CFM*	CFM SP@0.1"	CFM SP@0.2"	CFM SP@0.3"	Minimum Round Duct Size	Sones#
T400 Island Cluster	115	7.5	60	1550	1100	1800	998	855	774	12" (113 in. ²)	6.4

Hood is available with LED lights (6 lights: 60" - 66").

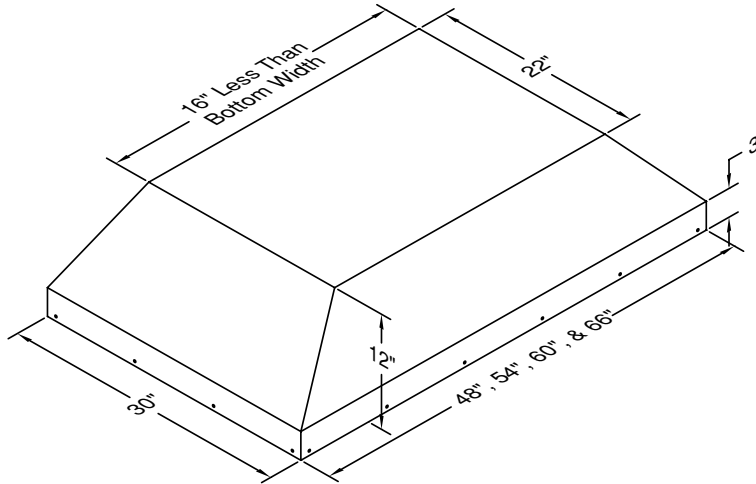
· Because the Magic Lung® blower uses centrifugal filtration rather than conventional baffle or mesh filters, the Magic Lung® blower can handle cooking equipment with higher cubic feet per minute (CFM) requirements and can deliver equivalent CFM much more efficiently than other filtration systems. When comparing the Magic Lung® with other blower units made by other manufacturers, use the "Equivalent CFM".

Ratings in accordance with the Standard Test Code by the Energy Systems Laboratory of the Texas Engineering Experiment Station.

SPECIFICATIONS SUBJECT TO CHANGE WITHOUT NOTICE Rev. 0516A

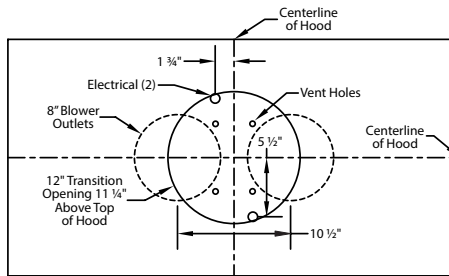


Equipped with LED lighting. Not available with heat lamps.

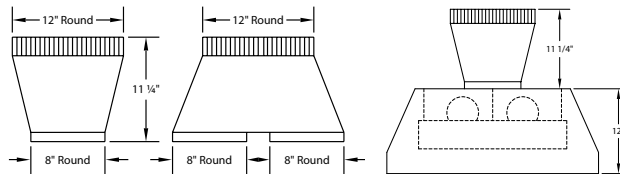


Connection Diagram

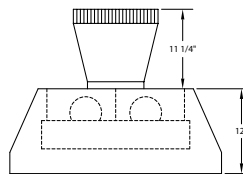
Width:	66"
Depth:	30"
Height:	12"
CFM:	1100
Sones:	6.4
Amps:	7.5
Number of Lights:	6



1100 CFM T400 Cluster Blower (Top View)

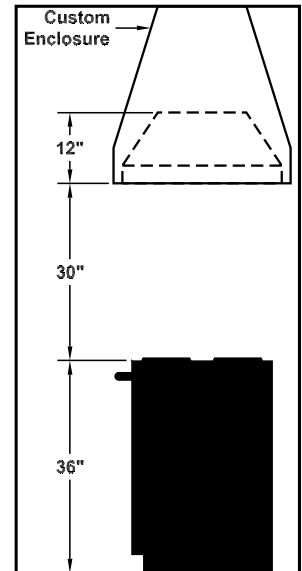


VP564 Standard Transition (Included)



Transition Installed (Side View)

Recommended Mounting Height*



*Recommended mounting height is for optimum performance.

Electrical/Mechanical Specifications For Blower Units

Model	Volts	Amps	Hz	RPM	CFM SP@0.0"	Equivalent CFM*	CFM SP@0.1"	CFM SP@0.2"	CFM SP@0.3"	Minimum Round Duct Size	Sones#
T400 Island Cluster	115	7.5	60	1550	1100	1800	998	855	774	12" (113 in. ²)	6.4

Hood is available with LED lights (one in each corner).

· Because the Magic Lung® blower uses centrifugal filtration rather than conventional baffle or mesh filters, the Magic Lung® blower can handle cooking equipment with higher cubic feet per minute (CFM) requirements and can deliver equivalent CFM much more efficiently than other filtration systems. When comparing the Magic Lung® with other blower units made by other manufacturers, use the "Equivalent CFM".

Ratings in accordance with the Standard Test Code by the Energy Systems Laboratory of the Texas Engineering Experiment Station.

SPECIFICATIONS SUBJECT TO CHANGE WITHOUT NOTICE Rev. 0516A



ABOUT *Premier Magic Lung*®

TLH Models

Includes the patented **Magic Lung**® blower system.

This **hidden canopy**, fronted with your own cabinet material provides visual continuity of cabinetry. Easy to pull out and close, the **TLH** model successfully **blends into cabinets**.

All units include **LED lighting**.

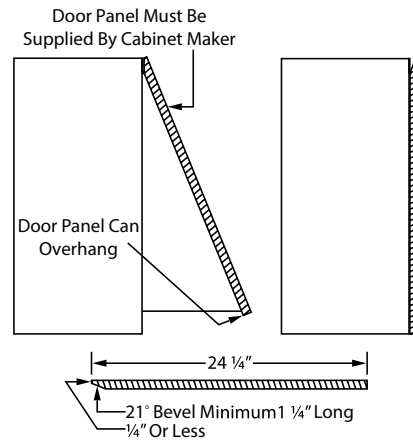
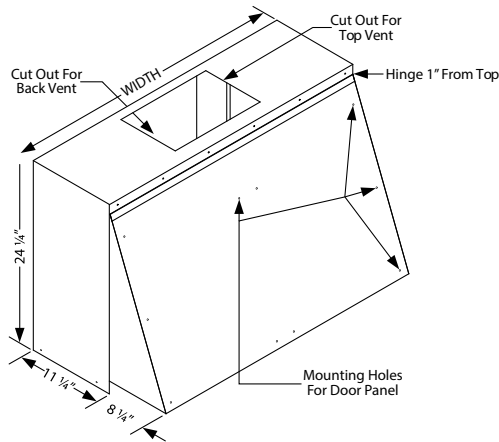
Equipped with the **SensaSource**® heat sensor.

All liners in this series are **19 1/2"** deep.

Recommended mounting height is **23 3/4"** above the cooking surface.

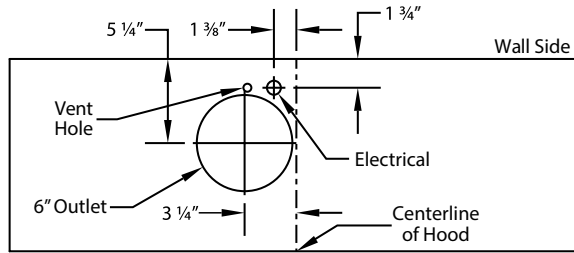
All Vent-A-Hood products are suitable for use in damp locations (outdoor applications such as a covered patio)

Equipped with LED lighting. Not available with heat lamps.

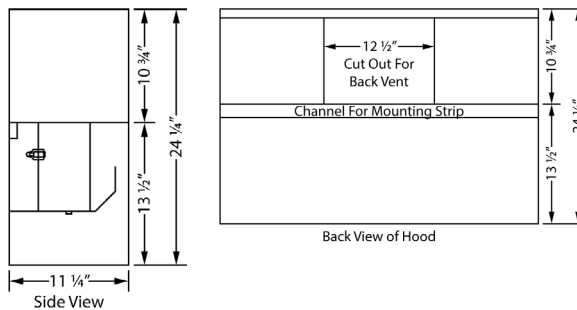


Connection Diagrams

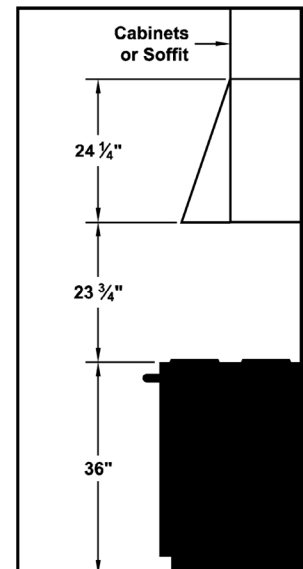
Width:	36"
Depth:	19 1/2"
Height:	24 1/4"
CFM:	300
Sones:	5.4
Amps:	2.5
Number of Lights:	2



300 CFM B100 Single Blower (Top View)



Recommended Mounting Height*



*Recommended mounting height is for optimum performance.

Electrical/Mechanical Specifications For Blower Units

Model	Volts	Amps	Hz	RPM	CFM SP@0.0"	Equivalent CFM*	CFM SP@0.1"	CFM SP@0.2"	CFM SP@0.3"	Minimum Round Duct Size	Sones#
B100 Single	115	2.5	60	1550	300	450	273	245	225	6" (28 in. ²)	5.4

+ This model is equipped with LED lighting: (2 lights: 30" - 41", 3 lights: 42" - 48").

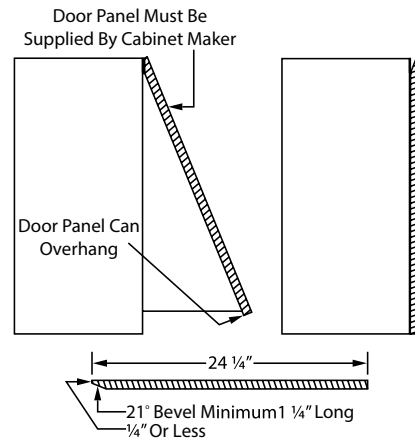
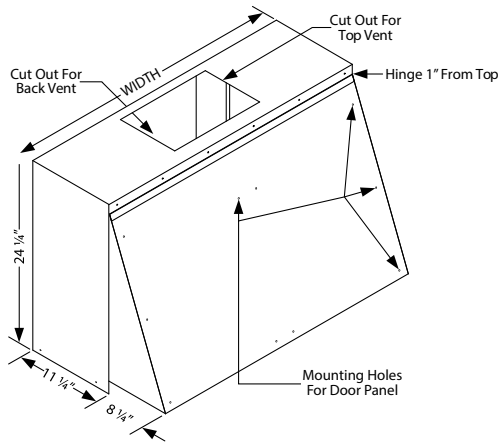
\$ Because the Magic Lung® blower uses centrifugal filtration rather than conventional baffle or mesh filters, the Magic Lung® blower can handle cooking equipment with higher cubic feet per minute (CFM) requirements and can deliver equivalent CFM much more efficiently than other filtration systems. When comparing the Magic Lung® with other blower units made by other manufacturers, use the "Equivalent CFM".

Ratings in accordance with the Standard Test Code by the Energy Systems Laboratory of the Texas Engineering Experiment Station.

SPECIFICATIONS SUBJECT TO CHANGE WITHOUT NOTICE Rev. 0516A

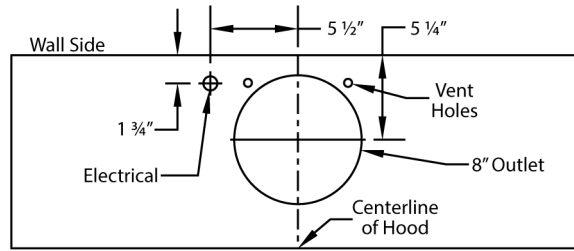


Equipped with LED lighting. Not available with heat lamps.

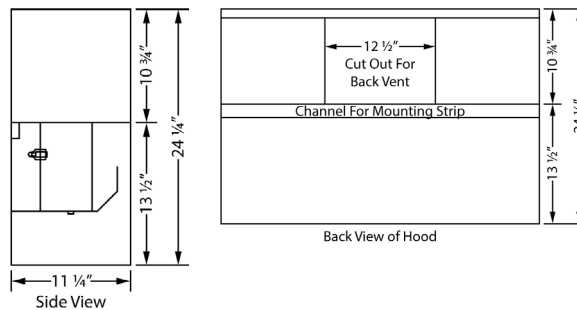


Connection Diagrams

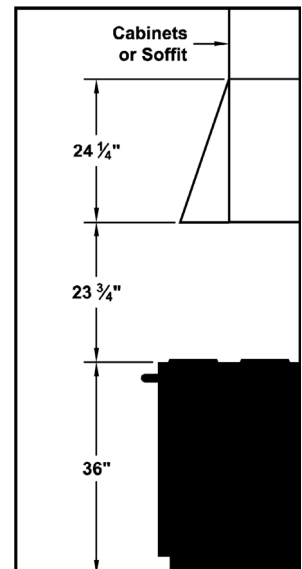
Width:	36"
Depth:	19 1/2"
Height:	24 1/4"
CFM:	600
Sones:	6.5
Amps:	4.0
Number of Lights:	2



600 CFM B200 Dual Blower (Top View)



Recommended Mounting Height*



*Recommended mounting height is for optimum performance.

Electrical/Mechanical Specifications For Blower Units

Model	Volts	Amps	Hz	RPM	CFM SP@0.0"	Equivalent CFM*	CFM SP@0.1"	CFM SP@0.2"	CFM SP@0.3"	Minimum Round Duct Size	Sones#
B200 Dual	115	4.0	60	1550	600	900	531	480	430	8" (50 in. ²)	6.5

+ This model is equipped with LED lighting: (2 lights: 30" - 41", 3 lights: 42" - 48").

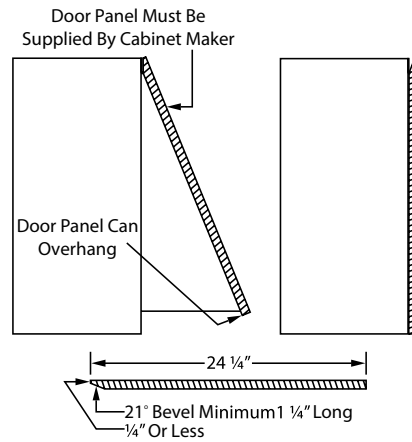
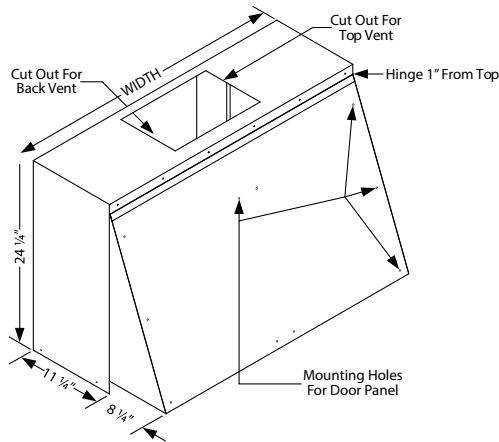
\$ Because the Magic Lung® blower uses centrifugal filtration rather than conventional baffle or mesh filters, the Magic Lung® blower can handle cooking equipment with higher cubic feet per minute (CFM) requirements and can deliver equivalent CFM much more efficiently than other filtration systems. When comparing the Magic Lung® with other blower units made by other manufacturers, use the "Equivalent CFM".

Ratings in accordance with the Standard Test Code by the Energy Systems Laboratory of the Texas Engineering Experiment Station.

SPECIFICATIONS SUBJECT TO CHANGE WITHOUT NOTICE Rev. 0516A

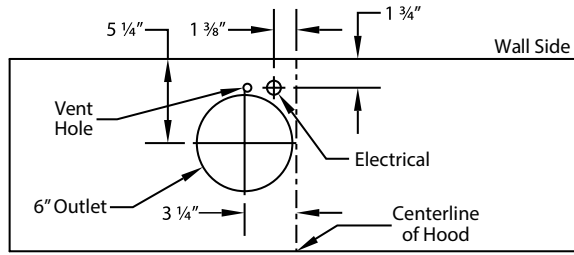


Equipped with LED lighting. Not available with heat lamps.

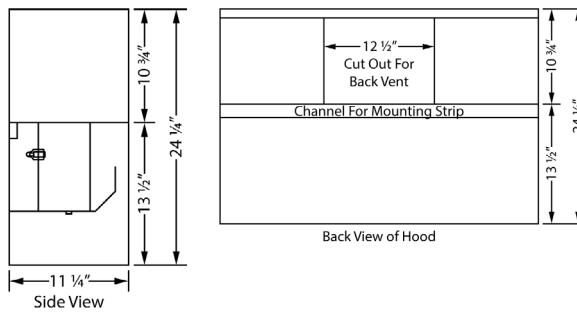


Connection Diagrams

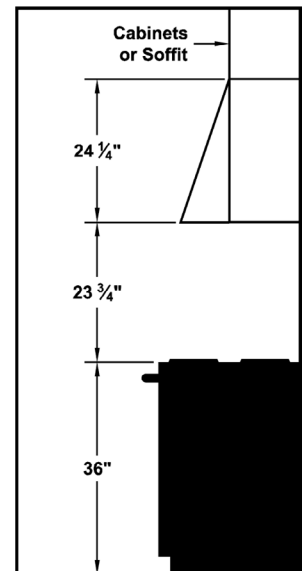
Width:	42"
Depth:	19 1/2"
Height:	24 1/4"
CFM:	300
Sones:	5.4
Amps:	2.5
Number of Lights:	3



300 CFM B100 Single Blower (Top View)



Recommended Mounting Height*



*Recommended mounting height is for optimum performance.

Electrical/Mechanical Specifications For Blower Units

Model	Volts	Amps	Hz	RPM	CFM SP@0.0"	Equivalent CFM*	CFM SP@0.1"	CFM SP@0.2"	CFM SP@0.3"	Minimum Round Duct Size	Sones#
B100 Single	115	2.5	60	1550	300	450	273	245	225	6" (28 in. ²)	5.4

+ This model is equipped with LED lighting: (2 lights: 30" - 41", 3 lights: 42" - 48").

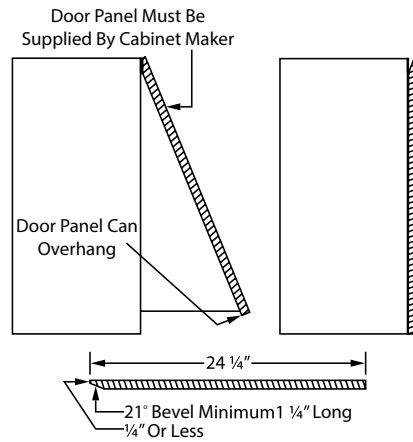
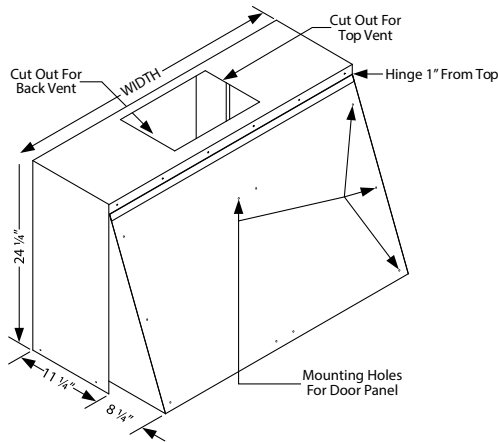
\$ Because the Magic Lung® blower uses centrifugal filtration rather than conventional baffle or mesh filters, the Magic Lung® blower can handle cooking equipment with higher cubic feet per minute (CFM) requirements and can deliver equivalent CFM much more efficiently than other filtration systems. When comparing the Magic Lung® with other blower units made by other manufacturers, use the "Equivalent CFM".

Ratings in accordance with the Standard Test Code by the Energy Systems Laboratory of the Texas Engineering Experiment Station.

SPECIFICATIONS SUBJECT TO CHANGE WITHOUT NOTICE Rev. 0516A

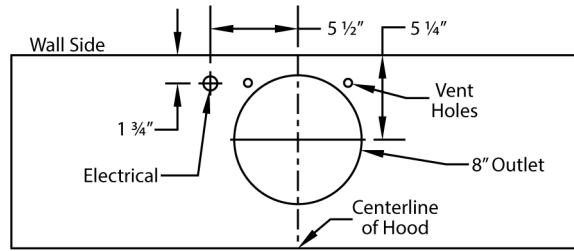


Equipped with LED lighting. Not available with heat lamps.

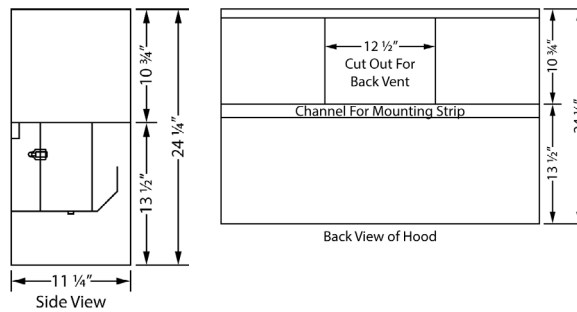


Connection Diagrams

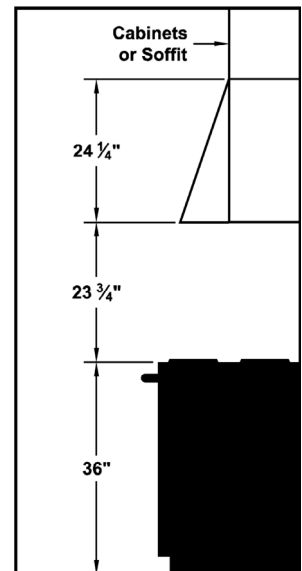
Width:	42"
Depth:	19 1/2"
Height:	24 1/4"
CFM:	600
Sones:	6.5
Amps:	4.0
Number of Lights:	3



600 CFM B200 Dual Blower (Top View)



Recommended Mounting Height*



*Recommended mounting height is for optimum performance.

Electrical/Mechanical Specifications For Blower Units

Model	Volts	Amps	Hz	RPM	CFM SP@0.0"	Equivalent CFM*	CFM SP@0.1"	CFM SP@0.2"	CFM SP@0.3"	Minimum Round Duct Size	Sones#
B200 Dual	115	4.0	60	1550	600	900	531	480	430	8" (50 in. ²)	6.5

+ This model is equipped with LED lighting: (2 lights: 30" - 41", 3 lights: 42" - 48").

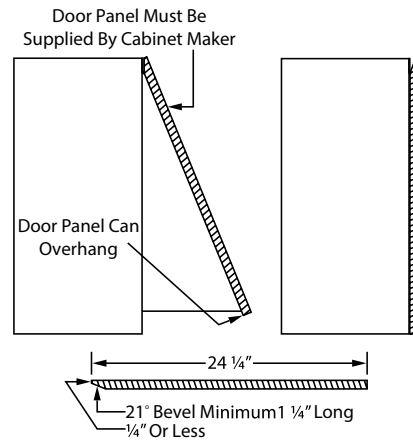
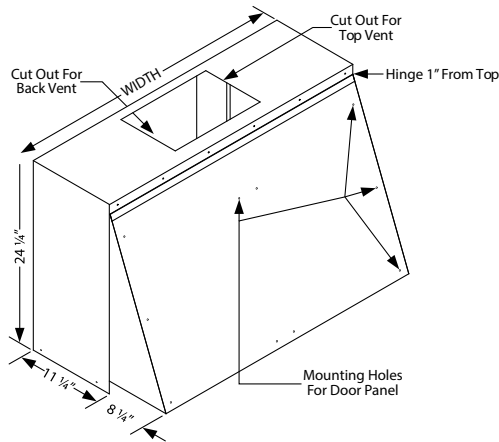
\$ Because the Magic Lung® blower uses centrifugal filtration rather than conventional baffle or mesh filters, the Magic Lung® blower can handle cooking equipment with higher cubic feet per minute (CFM) requirements and can deliver equivalent CFM much more efficiently than other filtration systems. When comparing the Magic Lung® with other blower units made by other manufacturers, use the "Equivalent CFM".

Ratings in accordance with the Standard Test Code by the Energy Systems Laboratory of the Texas Engineering Experiment Station.

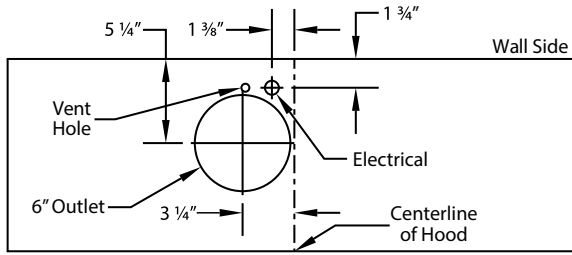
SPECIFICATIONS SUBJECT TO CHANGE WITHOUT NOTICE Rev. 0516A



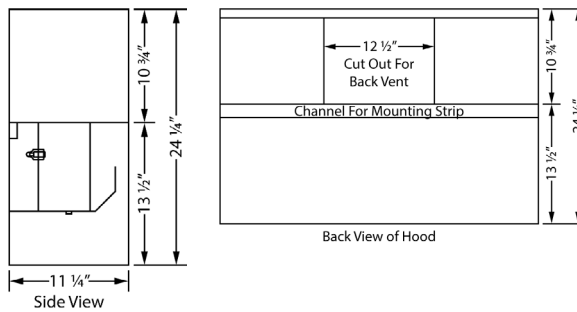
Equipped with LED lighting. Not available with heat lamps.



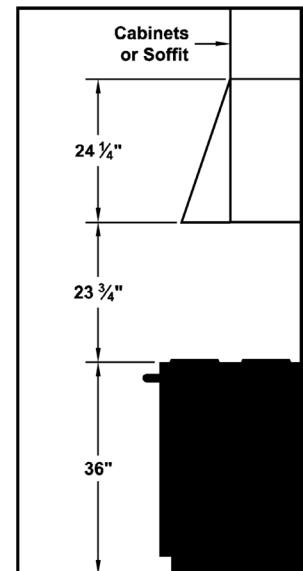
Connection Diagrams



300 CFM B100 Single Blower (Top View)



Recommended Mounting Height*



*Recommended mounting height is for optimum performance.

Width:	48"
Depth:	19 1/2"
Height:	24 1/4"
CFM:	300
Sones:	5.4
Amps:	2.5
Number of Lights:	3

Electrical/Mechanical Specifications For Blower Units

Model	Volts	Amps	Hz	RPM	CFM SP@0.0"	Equivalent CFM*	CFM SP@0.1"	CFM SP@0.2"	CFM SP@0.3"	Minimum Round Duct Size	Sones#
B100 Single	115	2.5	60	1550	300	450	273	245	225	6" (28 in. ²)	5.4

+ This model is equipped with LED lighting: (2 lights: 30" - 41", 3 lights: 42" - 48").

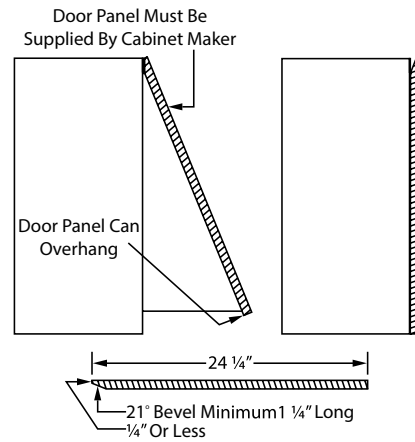
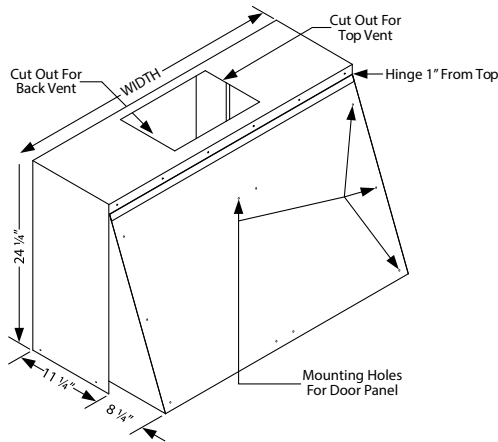
\$ Because the Magic Lung® blower uses centrifugal filtration rather than conventional baffle or mesh filters, the Magic Lung® blower can handle cooking equipment with higher cubic feet per minute (CFM) requirements and can deliver equivalent CFM much more efficiently than other filtration systems. When comparing the Magic Lung® with other blower units made by other manufacturers, use the "Equivalent CFM".

Ratings in accordance with the Standard Test Code by the Energy Systems Laboratory of the Texas Engineering Experiment Station.

SPECIFICATIONS SUBJECT TO CHANGE WITHOUT NOTICE Rev. 0516A

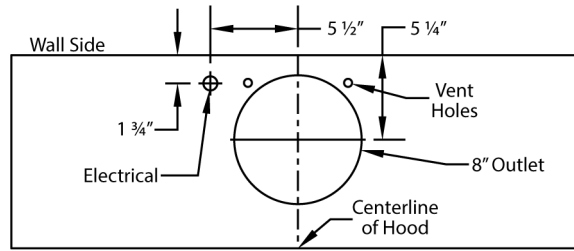


Equipped with LED lighting. Not available with heat lamps.

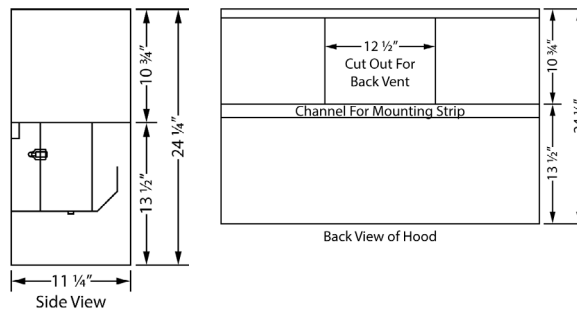


Connection Diagrams

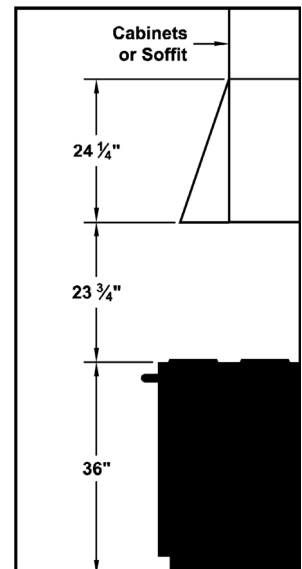
Width:	48"
Depth:	19 1/2"
Height:	24 1/4"
CFM:	600
Sones:	6.5
Amps:	4.0
Number of Lights:	3



600 CFM B200 Dual Blower (Top View)



Recommended Mounting Height*



*Recommended mounting height is for optimum performance.

Electrical/Mechanical Specifications For Blower Units

Model	Volts	Amps	Hz	RPM	CFM SP@0.0"	Equivalent CFM*	CFM SP@0.1"	CFM SP@0.2"	CFM SP@0.3"	Minimum Round Duct Size	Sones#
B200 Dual	115	4.0	60	1550	600	900	531	480	430	8" (50 in. ²)	6.5

+ This model is equipped with LED lighting: (2 lights: 30" - 41", 3 lights: 42" - 48").
 \$ Because the Magic Lung® blower uses centrifugal filtration rather than conventional baffle or mesh filters, the Magic Lung® blower can handle cooking equipment with higher cubic feet per minute (CFM) requirements and can deliver equivalent CFM much more efficiently than other filtration systems. When comparing the Magic Lung® with other blower units made by other manufacturers, use the "Equivalent CFM".
 # Ratings in accordance with the Standard Test Code by the Energy Systems Laboratory of the Texas Engineering Experiment Station.

SPECIFICATIONS SUBJECT TO CHANGE WITHOUT NOTICE Rev. 0516A



Wall Mounted Liner Inserts

M-Liners

M-SERIES

Vent-A-Hood[®]

M-Liner Series



M-LINER SERIES BLOWER SYSTEMS



DUAL



SINGLE

Benefits of the M-Liner Series

BEAUTY WITHOUT BREAKING THE BUDGET

The Vent-A-Hood® M-Line brings the quality you've come to expect from the leader in kitchen ventilation at a price point that fits almost any budget. The M-Line uses the highest quality brushed stainless steel canopies, perfect for the look of a modern kitchen.

LONG-LASTING QUALITY

Every component in the M-Line is engineered with the same attention to detail and durability that has made Vent-A-Hood® the first name in kitchen ventilation for the last 85 years. Industrial grade stainless steel baffle filters provide maximum effectiveness and durability, ensuring your hood outperforms and outlasts other similarly-priced hoods by a long shot.

LET THERE BE LIGHT

Our M-Line hood comes equipped with the latest in LED lighting technology. After all, you want to be able to see your delicious creations while you're cooking them up.

COMMERCIAL-GRADE FILTRATION FOR THE HOME

Vent-A-Hood® M-Line products use the same high quality filtration components that you'd find in the kitchen of your favorite high-end steak house. That means you know your M-Line can handle whatever you throw at it, and it's built to last.

THE POWER TO CHOOSE

Some odors are stronger than others, that's why the M-Line comes with a 4-speed rotary knob control, allowing you to choose exactly how much ventilation you need.

1 YEAR WARRANTY

Vent-A-Hood®

ABOUT *M-Line*

MSLD Models

The **MSLD** model is intended for use over **standard-style** cooking equipment.

Features a **corrosion-resistant canopy** and a **stainless steel fascia assembly**.

All units include **LED lighting**.

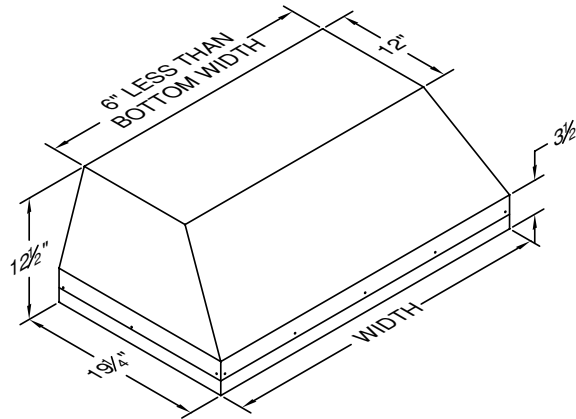
All liners in this series are **19 1/4"** deep.

Recommended mounting height is **24" - 27"** above the cooking surface.

PLEASE NOTE, TWO BLOWER OPTIONS ARE AVAILABLE.

M600 (635 CFM) AND M1200 (1035 CFM).

Equipped with LED GU10 lighting. Not available with heat lamps.
M600 and **M1200** blowers are sold separately. Features stainless steel baffle filters.

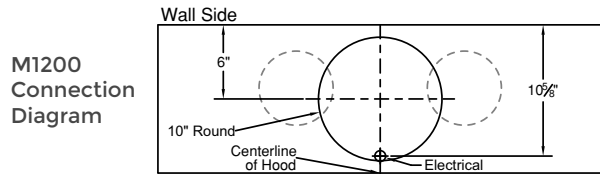
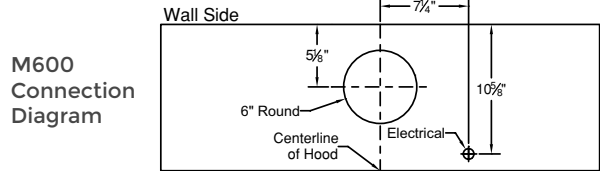


Width:	28 3/8"
Depth:	19 1/4"
Height:	12 1/2"
CFM:	(Chart A)
Sones:	N/A
Amps:	(Chart B)
Number of Lights:	2

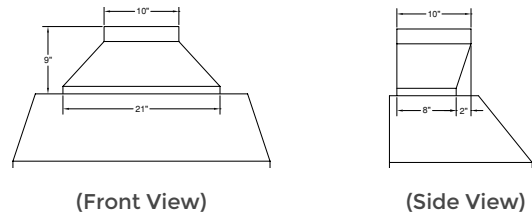
CHART A	CFM @ 0.1" S.P.		
Speed	M600	WHM300*	M1200
1	240	240	420
2	300	300	645
3	500	-	865
4	625	-	1015

* The WHM300 is a wiring harness that when used with the M600 blower (sold separately) will disable blower speeds exceeding 300 CFM.

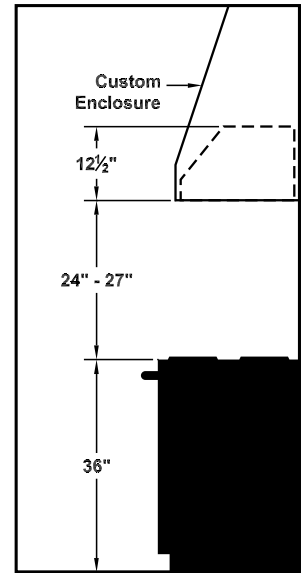
Connection Diagrams



VP566 Transition Details (Included with M1200)



Recommended Mounting Height*



*Recommended mounting height is for optimum performance.

CHART B: Electrical/Mechanical Specifications For Blower Units

Model	Volts	Amps	Hz	CFM SP@0.0"	CFM SP@0.1"	CFM SP@0.25"	CFM SP@0.5"	CFM SP@0.75"	Min. Round Duct Size
M600 Single	115	5.0	60	630	625	615	600	580	6" (28in. ²)
M600 w/WHM300 Harness	115	5.0	60	302	300	295	288	278	6" (28in. ²)
M1200 Dual	115	10.0	60	1035	1015	1000	995	915	10" (79in. ²)

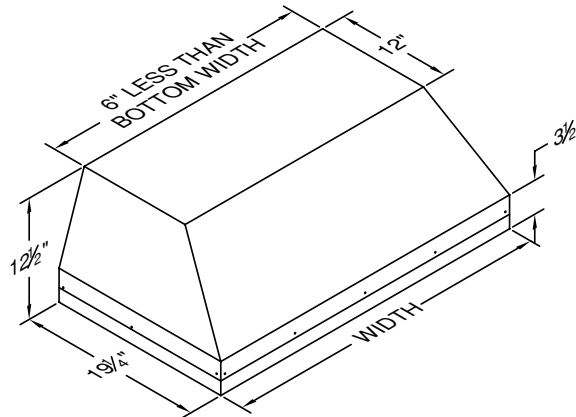
* Hoods are available with LED GU10 lights (2 lights: 30" - 41", 3 lights: 42" - 53", 4 lights: 54"-66").



Equipped with LED GU10 lighting. Not available with heat lamps.

M600 and M1200 blowers are sold separately.

Features a stainless steel fascia, baffle filters, and a gunsmoke powder-coated canopy.



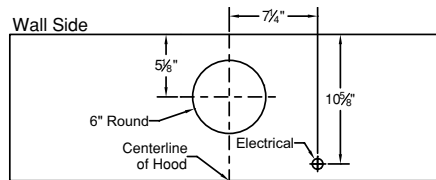
Width:	34 3/8"
Depth:	19 1/4"
Height:	12 1/2"
CFM:	(Chart A)
Sones:	N/A
Amps:	(Chart B)
Number of Lights:	2

CHART A	CFM @ 0.1" S.P.		
Speed	M600	WHM300*	M1200
1	240	240	420
2	300	300	645
3	500	-	865
4	625	-	1015

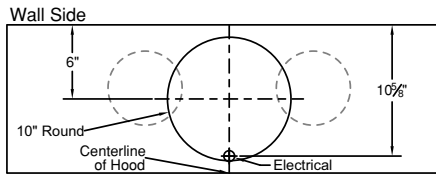
* The WHM300 is a wiring harness that when used with the M600 blower (sold separately) will disable blower speeds exceeding 300 CFM.

Connection Diagrams

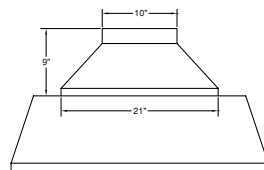
M600 Connection Diagram



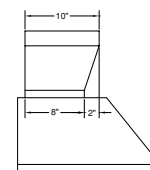
M1200 Connection Diagram



VP566 Transition Details (Included with M1200)

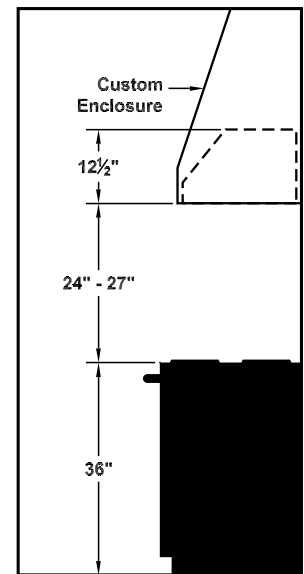


(Front View)



(Side View)

Recommended Mounting Height*



*Recommended mounting height is for optimum performance.

CHART B: Electrical/Mechanical Specifications For Blower Units

Model	Volts	Amps	Hz	CFM SP@0.0"	CFM SP@0.1"	CFM SP@0.25"	CFM SP@0.5"	CFM SP@0.75"	Min. Round Duct Size
M600 Single	115	5.0	60	630	625	615	600	580	6" (28in. ²)
M600 w/WHM300 Harness	115	5.0	60	302	300	295	288	278	6" (28in. ²)
M1200 Dual	115	10.0	60	1035	1015	1000	995	915	10" (79in. ²)

* Hoods are available with LED GU10 lights (2 lights: 30" - 41", 3 lights: 42" - 53", 4 lights: 54"-66").

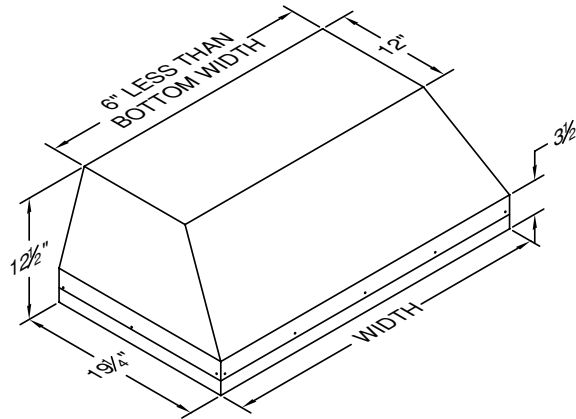
SPECIFICATIONS SUBJECT TO CHANGE WITHOUT NOTICE Rev. 1218A



Equipped with LED GU10 lighting. Not available with heat lamps.

M600 and M1200 blowers are sold separately.

Features a stainless steel fascia, baffle filters, and a gunsmoke powder-coated canopy.



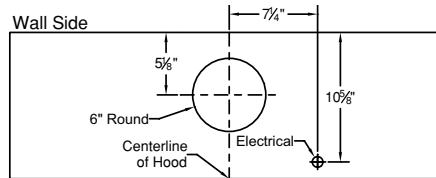
Width:	40 3/8"
Depth:	19 1/4"
Height:	12 1/2"
CFM:	(Chart A)
Sones:	N/A
Amps:	(Chart B)
Number of Lights:	2

CHART A	CFM @ 0.1" S.P.		
Speed	M600	WHM300*	M1200
1	240	240	420
2	300	300	645
3	500	-	865
4	625	-	1015

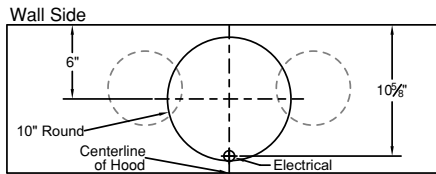
* The WHM300 is a wiring harness that when used with the M600 blower (sold separately) will disable blower speeds exceeding 300 CFM.

Connection Diagrams

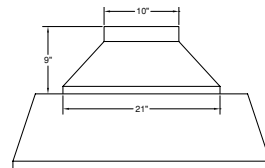
M600 Connection Diagram



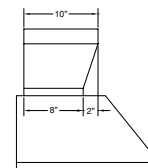
M1200 Connection Diagram



VP566 Transition Details (Included with M1200)

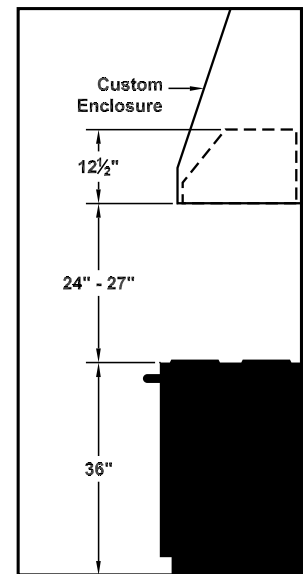


(Front View)



(Side View)

Recommended Mounting Height*



*Recommended mounting height is for optimum performance.

CHART B: Electrical/Mechanical Specifications For Blower Units

Model	Volts	Amps	Hz	CFM SP@0.0"	CFM SP@0.1"	CFM SP@0.25"	CFM SP@0.5"	CFM SP@0.75"	Min. Round Duct Size
M600 Single	115	5.0	60	630	625	615	600	580	6" (28in. ²)
M600 w/WHM300 Harness	115	5.0	60	302	300	295	288	278	6" (28in. ²)
M1200 Dual	115	10.0	60	1035	1015	1000	995	915	10" (79in. ²)

* Hoods are available with LED GU10 lights (2 lights: 30" - 41", 3 lights: 42" - 53", 4 lights: 54"-66").

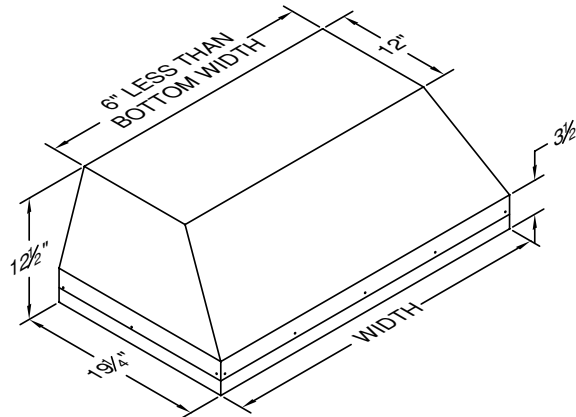
SPECIFICATIONS SUBJECT TO CHANGE WITHOUT NOTICE Rev. 1218A



Equipped with LED GU10 lighting. Not available with heat lamps.

M600 and M1200 blowers are sold separately.

Features a stainless steel fascia, baffle filters, and a gunsmoke powder-coated canopy.



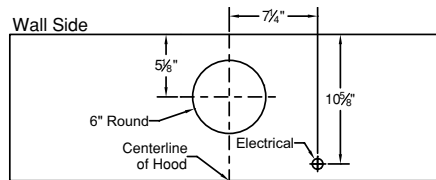
Width:	46 3/8"
Depth:	19 1/4"
Height:	12 1/2"
CFM:	(Chart A)
Sones:	N/A
Amps:	(Chart B)
Number of Lights:	3

CHART A	CFM @ 0.1" S.P.		
Speed	M600	WHM300*	M1200
1	240	240	420
2	300	300	645
3	500	-	865
4	625	-	1015

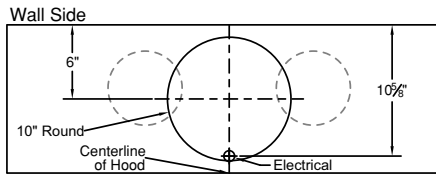
* The WHM300 is a wiring harness that when used with the M600 blower (sold separately) will disable blower speeds exceeding 300 CFM.

Connection Diagrams

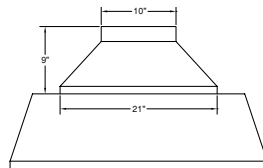
M600 Connection Diagram



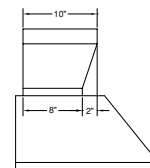
M1200 Connection Diagram



VP566 Transition Details (Included with M1200)

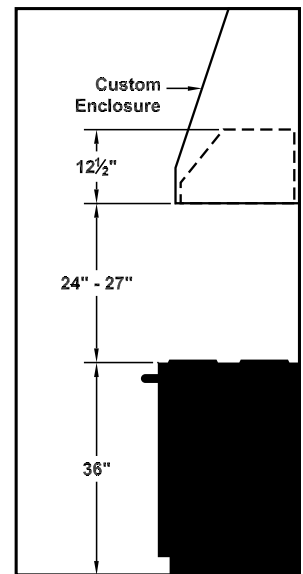


(Front View)



(Side View)

Recommended Mounting Height*



*Recommended mounting height is for optimum performance.

CHART B: Electrical/Mechanical Specifications For Blower Units

Model	Volts	Amps	Hz	CFM SP@0.0"	CFM SP@0.1"	CFM SP@0.25"	CFM SP@0.5"	CFM SP@0.75"	Min. Round Duct Size
M600 Single	115	5.0	60	630	625	615	600	580	6" (28in. ²)
M600 w/WHM300 Harness	115	5.0	60	302	300	295	288	278	6" (28in. ²)
M1200 Dual	115	10.0	60	1035	1015	1000	995	915	10" (79in. ²)

* Hoods are available with LED GU10 lights (2 lights: 30" - 41", 3 lights: 42" - 53", 4 lights: 54"-66").

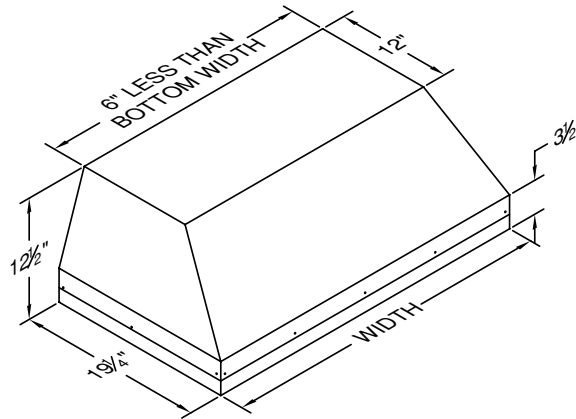
SPECIFICATIONS SUBJECT TO CHANGE WITHOUT NOTICE Rev. 1218A



Equipped with LED GU10 lighting. Not available with heat lamps.

M600 and M1200 blowers are sold separately.

Features a stainless steel fascia, baffle filters, and a gunsmoke powder-coated canopy.



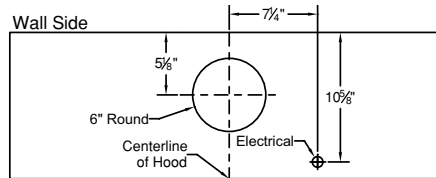
Width:	52 3/8"
Depth:	19 1/4"
Height:	12 1/2"
CFM:	(Chart A)
Sones:	N/A
Amps:	(Chart B)
Number of Lights:	3

CHART A	CFM @ 0.1" S.P.		
Speed	M600	WHM300*	M1200
1	240	240	420
2	300	300	645
3	500	-	865
4	625	-	1015

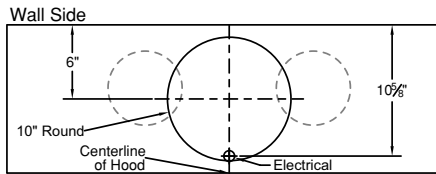
* The WHM300 is a wiring harness that when used with the M600 blower (sold separately) will disable blower speeds exceeding 300 CFM.

Connection Diagrams

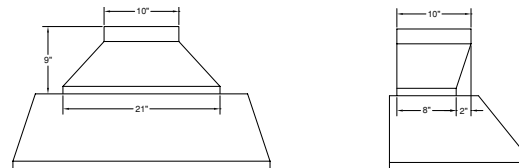
M600 Connection Diagram



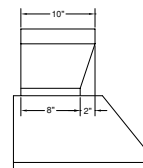
M1200 Connection Diagram



VP566 Transition Details (Included with M1200)

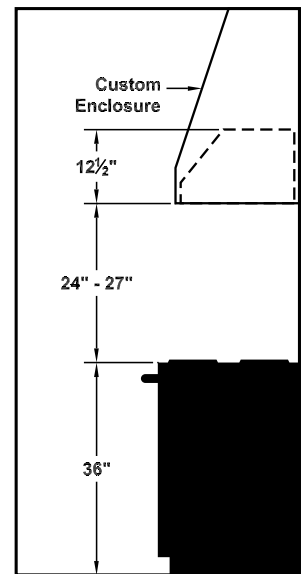


(Front View)



(Side View)

Recommended Mounting Height*



*Recommended mounting height is for optimum performance.

CHART B: Electrical/Mechanical Specifications For Blower Units

Model	Volts	Amps	Hz	CFM SP@0.0"	CFM SP@0.1"	CFM SP@0.25"	CFM SP@0.5"	CFM SP@0.75"	Min. Round Duct Size
M600 Single	115	5.0	60	630	625	615	600	580	6" (28in. ²)
M600 w/WHM300 Harness	115	5.0	60	302	300	295	288	278	6" (28in. ²)
M1200 Dual	115	10.0	60	1035	1015	1000	995	915	10" (79in. ²)

* Hoods are available with LED GU10 lights (2 lights: 30" - 41", 3 lights: 42" - 53", 4 lights: 54"-66").

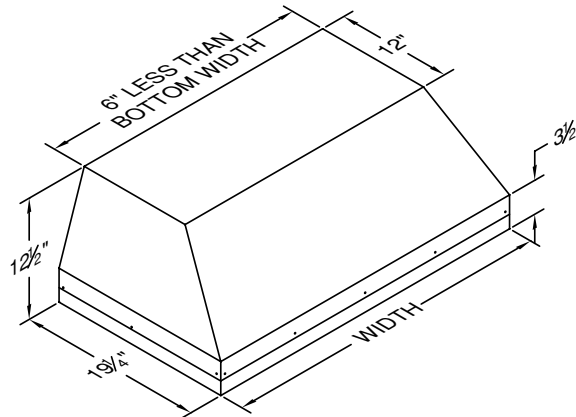
SPECIFICATIONS SUBJECT TO CHANGE WITHOUT NOTICE Rev. 1218A



Equipped with LED GU10 lighting. Not available with heat lamps.

M600 and M1200 blowers are sold separately.

Features a stainless steel fascia, baffle filters, and a gunsmoke powder-coated canopy.



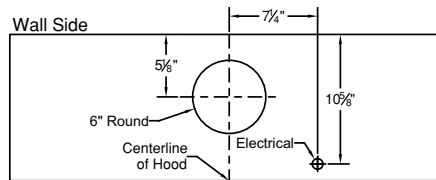
Width:	58 3/8"
Depth:	19 1/4"
Height:	12 1/2"
CFM:	(Chart A)
Sones:	N/A
Amps:	(Chart B)
Number of Lights:	4

CHART A	CFM @ 0.1" S.P.		
Speed	M600	WHM300*	M1200
1	240	240	420
2	300	300	645
3	500	-	865
4	625	-	1015

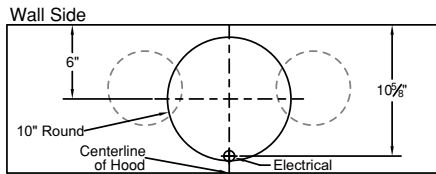
* The WHM300 is a wiring harness that when used with the M600 blower (sold separately) will disable blower speeds exceeding 300 CFM.

Connection Diagrams

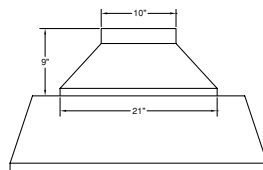
M600 Connection Diagram



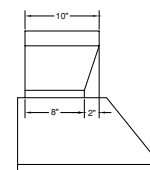
M1200 Connection Diagram



VP566 Transition Details (Included with M1200)

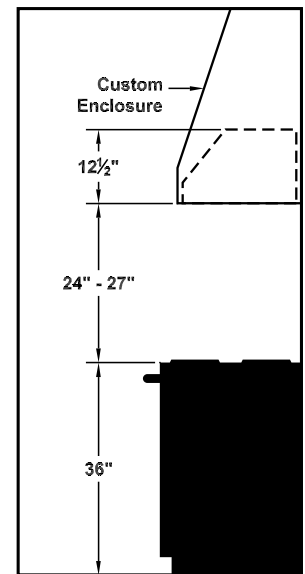


(Front View)



(Side View)

Recommended Mounting Height*



*Recommended mounting height is for optimum performance.

CHART B: Electrical/Mechanical Specifications For Blower Units

Model	Volts	Amps	Hz	CFM SP@0.0"	CFM SP@0.1"	CFM SP@0.25"	CFM SP@0.5"	CFM SP@0.75"	Min. Round Duct Size
M600 Single	115	5.0	60	630	625	615	600	580	6" (28in. ²)
M600 w/WHM300 Harness	115	5.0	60	302	300	295	288	278	6" (28in. ²)
M1200 Dual	115	10.0	60	1035	1015	1000	995	915	10" (79in. ²)

* Hoods are available with LED GU10 lights (2 lights: 30" - 41", 3 lights: 42" - 53", 4 lights: 54"-66").

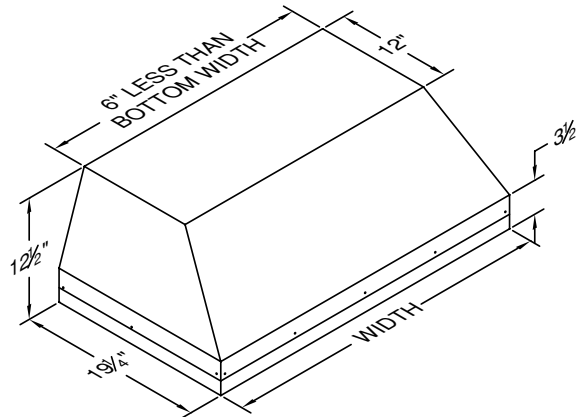
SPECIFICATIONS SUBJECT TO CHANGE WITHOUT NOTICE Rev. 1218A



Equipped with LED GU10 lighting. Not available with heat lamps.

M600 and M1200 blowers are sold separately.

Features a stainless steel fascia, baffle filters, and a gunsmoke powder-coated canopy.



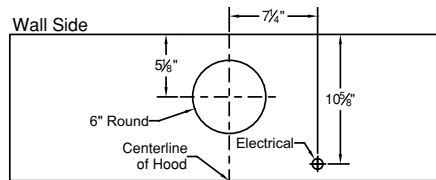
Width:	64 3/8"
Depth:	19 1/4"
Height:	12 1/2"
CFM:	(Chart A)
Sones:	N/A
Amps:	(Chart B)
Number of Lights:	4

CHART A	CFM @ 0.1" S.P.		
Speed	M600	WHM300*	M1200
1	240	240	420
2	300	300	645
3	500	-	865
4	625	-	1015

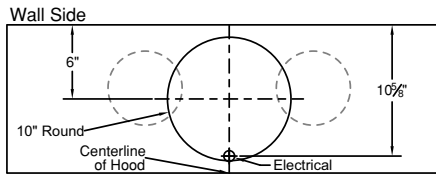
* The WHM300 is a wiring harness that when used with the M600 blower (sold separately) will disable blower speeds exceeding 300 CFM.

Connection Diagrams

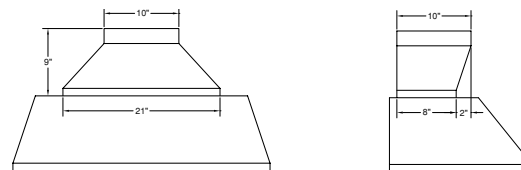
M600 Connection Diagram



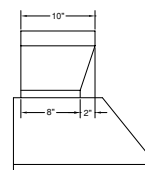
M1200 Connection Diagram



VP566 Transition Details (Included with M1200)

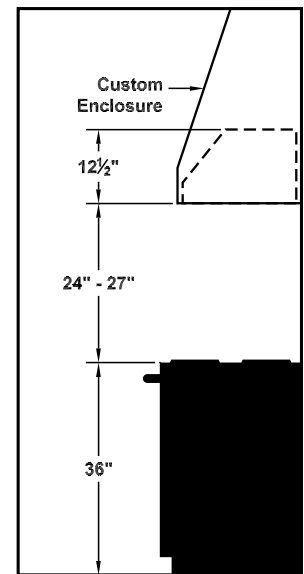


(Front View)



(Side View)

Recommended Mounting Height*



*Recommended mounting height is for optimum performance.

CHART B: Electrical/Mechanical Specifications For Blower Units

Model	Volts	Amps	Hz	CFM SP@0.0"	CFM SP@0.1"	CFM SP@0.25"	CFM SP@0.5"	CFM SP@0.75"	Min. Round Duct Size
M600 Single	115	5.0	60	630	625	615	600	580	6" (28in. ²)
M600 w/WHM300 Harness	115	5.0	60	302	300	295	288	278	6" (28in. ²)
M1200 Dual	115	10.0	60	1035	1015	1000	995	915	10" (79in. ²)

* Hoods are available with LED GU10 lights (2 lights: 30" - 41", 3 lights: 42" - 53", 4 lights: 54"-66").

SPECIFICATIONS SUBJECT TO CHANGE WITHOUT NOTICE Rev. 1218A



ABOUT *M-Line*

MPSLD Models

The **MPSLD** model is intended for use over **professional-style** cooking equipment.

Features a **corrosion resistant canopy** and a **stainless steel fascia and filter assembly**.

All units include **LED lighting**.

All liners in this series are **22 1/2"** deep.

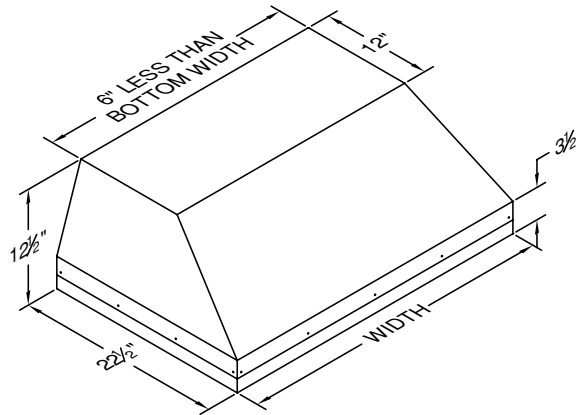
Recommended mounting height is **27" - 30"** above the cooking surface.

PLEASE NOTE, TWO BLOWER OPTIONS ARE AVAILABLE.
M600 (635 CFM) AND M1200 (1035 CFM).

Equipped with LED GU10 lighting. Not available with heat lamps.

M600 and M1200 blowers are sold separately.

Features a stainless steel fascia, baffle filters, and a gunsmoke powder-coated canopy.



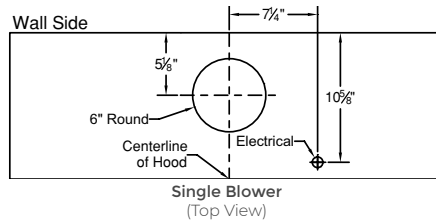
Width:	28 3/8"
Depth:	22 1/4"
Height:	12 1/2"
CFM:	(Chart A)
Sones:	N/A
Amps:	(Chart B)
Number of Lights:	2

CHART A	CFM @ 0.1" S.P.		
Speed	M600	WHM300*	M1200
1	240	240	420
2	300	300	645
3	500	-	865
4	625	-	1015

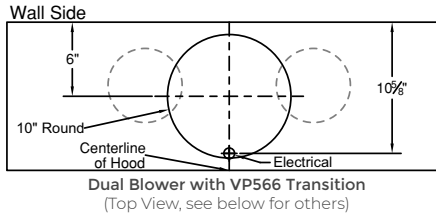
* The WHM300 is a wiring harness that when used with the M600 blower (sold separately) will disable blower speeds exceeding 300 CFM.

Connection Diagrams

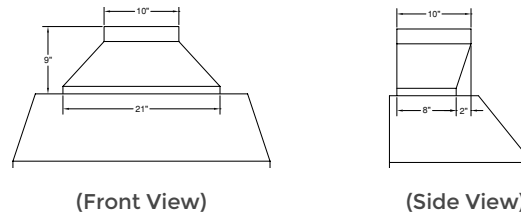
M600 Connection Diagram



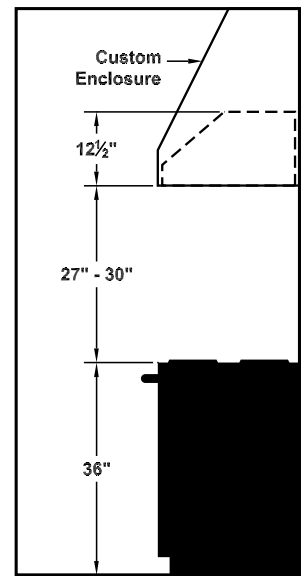
M1200 Connection Diagram



VP566 Transition Details (Included with M1200)



Recommended Mounting Height*



*Recommended mounting height is for optimum performance.

CHART B: Electrical/Mechanical Specifications For Blower Units

Model	Volts	Amps	Hz	CFM SP@0.0"	CFM SP@0.1"	CFM SP@0.25"	CFM SP@0.5"	CFM SP@0.75"	Min. Round Duct Size
M600 Single	115	5.0	60	630	625	615	600	580	6" (28in. ²)
M600 w/WHM300 Harness	115	5.0	60	302	300	295	288	278	6" (28in. ²)
M1200 Dual	115	10.0	60	1035	1015	1000	995	915	10" (79in. ²)

* Hoods are available with LED GU10 lights (2 lights: 30" - 41", 3 lights: 42" - 53", 4 lights: 54"-66").

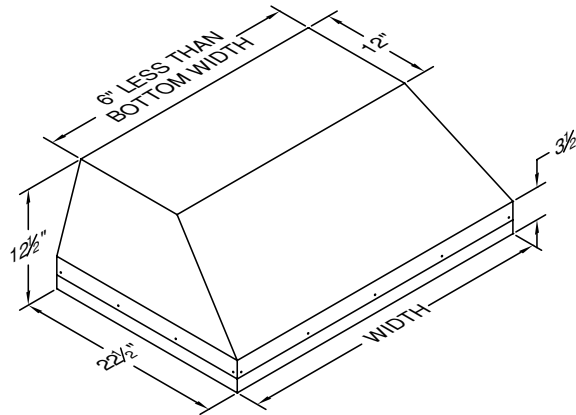
SPECIFICATIONS SUBJECT TO CHANGE WITHOUT NOTICE Rev. 1218A



Equipped with LED GU10 lighting. Not available with heat lamps.

M600 and M1200 blowers are sold separately.

Features a stainless steel fascia, baffle filters, and a gunsmoke powder-coated canopy.



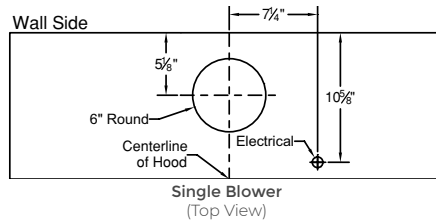
Width:	34 3/8"
Depth:	22 1/4"
Height:	12 1/2"
CFM:	(Chart A)
Sones:	N/A
Amps:	(Chart B)
Number of Lights:	2

CHART A	CFM @ 0.1" S.P.		
Speed	M600	WHM300*	M1200
1	240	240	420
2	300	300	645
3	500	-	865
4	625	-	1015

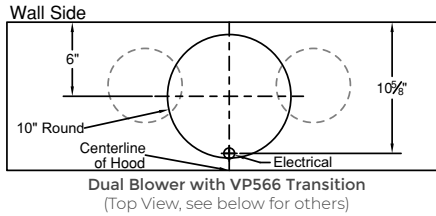
* The WHM300 is a wiring harness that when used with the M600 blower (sold separately) will disable blower speeds exceeding 300 CFM.

Connection Diagrams

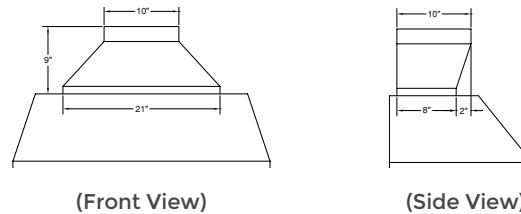
M600 Connection Diagram



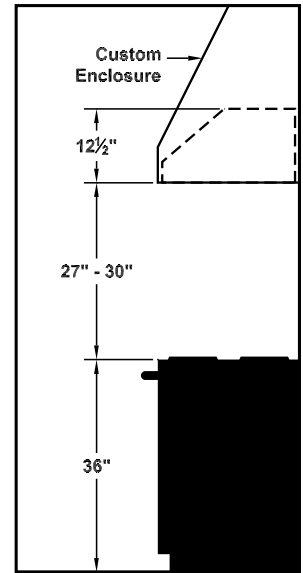
M1200 Connection Diagram



VP566 Transition Details (Included with M1200)



Recommended Mounting Height*



*Recommended mounting height is for optimum performance.

CHART B: Electrical/Mechanical Specifications For Blower Units

Model	Volts	Amps	Hz	CFM SP@0.0"	CFM SP@0.1"	CFM SP@0.25"	CFM SP@0.5"	CFM SP@0.75"	Min. Round Duct Size
M600 Single	115	5.0	60	630	625	615	600	580	6" (28in. ²)
M600 w/WHM300 Harness	115	5.0	60	302	300	295	288	278	6" (28in. ²)
M1200 Dual	115	10.0	60	1035	1015	1000	995	915	10" (79in. ²)

* Hoods are available with LED GU10 lights (2 lights: 30" - 41", 3 lights: 42" - 53", 4 lights: 54"-66").

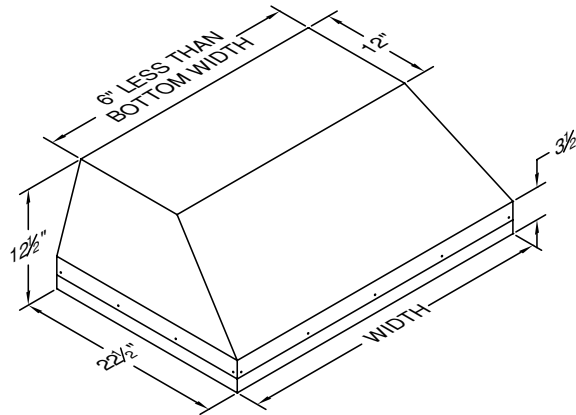
SPECIFICATIONS SUBJECT TO CHANGE WITHOUT NOTICE Rev. 1218A



Equipped with LED GU10 lighting. Not available with heat lamps.

M600 and M1200 blowers are sold separately.

Features a stainless steel fascia, baffle filters, and a gunsmoke powder-coated canopy.



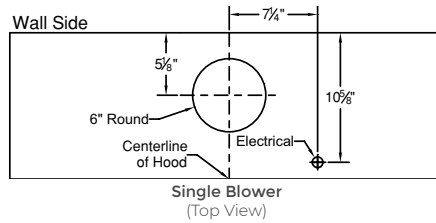
Width:	40 3/8"
Depth:	22 1/4"
Height:	12 1/2"
CFM:	(Chart A)
Sones:	N/A
Amps:	(Chart B)
Number of Lights:	2

CHART A	CFM @ 0.1" S.P.		
Speed	M600	WHM300*	M1200
1	240	240	420
2	300	300	645
3	500	-	865
4	625	-	1015

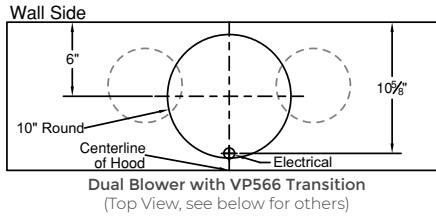
* The WHM300 is a wiring harness that when used with the M600 blower (sold separately) will disable blower speeds exceeding 300 CFM.

Connection Diagrams

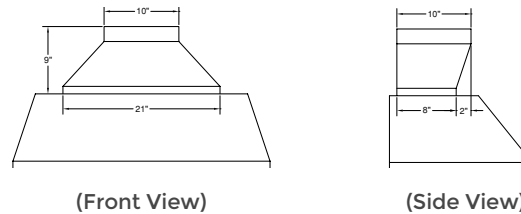
M600 Connection Diagram



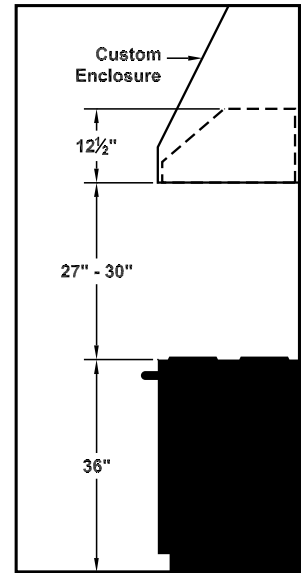
M1200 Connection Diagram



VP566 Transition Details (Included with M1200)



Recommended Mounting Height*



*Recommended mounting height is for optimum performance.

CHART B: Electrical/Mechanical Specifications For Blower Units

Model	Volts	Amps	Hz	CFM SP@0.0"	CFM SP@0.1"	CFM SP@0.25"	CFM SP@0.5"	CFM SP@0.75"	Min. Round Duct Size
M600 Single	115	5.0	60	630	625	615	600	580	6" (28in. ²)
M600 w/WHM300 Harness	115	5.0	60	302	300	295	288	278	6" (28in. ²)
M1200 Dual	115	10.0	60	1035	1015	1000	995	915	10" (79in. ²)

* Hoods are available with LED GU10 lights (2 lights: 30" - 41", 3 lights: 42" - 53", 4 lights: 54"-66").

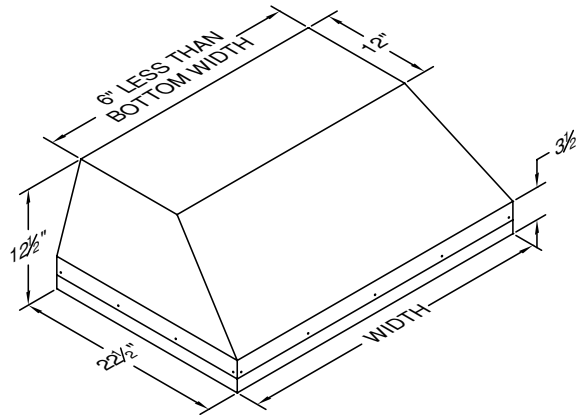
SPECIFICATIONS SUBJECT TO CHANGE WITHOUT NOTICE Rev. 1218A



Equipped with LED GU10 lighting. Not available with heat lamps.

M600 and M1200 blowers are sold separately.

Features a stainless steel fascia, baffle filters, and a gunsmoke powder-coated canopy.



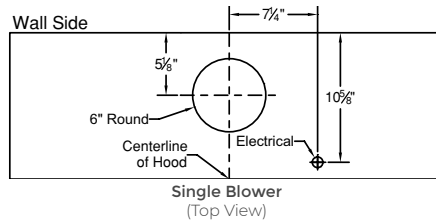
Width:	46 3/8"
Depth:	22 1/4"
Height:	12 1/2"
CFM:	(Chart A)
Sones:	N/A
Amps:	(Chart B)
Number of Lights:	3

CHART A	CFM @ 0.1" S.P.		
Speed	M600	WHM300*	M1200
1	240	240	420
2	300	300	645
3	500	-	865
4	625	-	1015

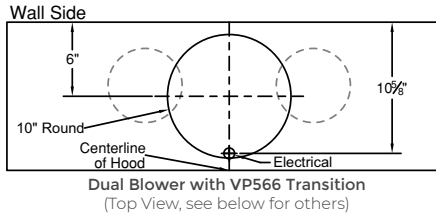
* The WHM300 is a wiring harness that when used with the M600 blower (sold separately) will disable blower speeds exceeding 300 CFM.

Connection Diagrams

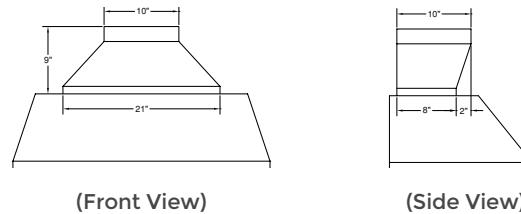
M600 Connection Diagram



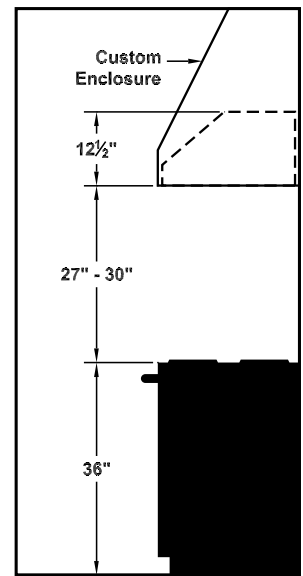
M1200 Connection Diagram



VP566 Transition Details (Included with M1200)



Recommended Mounting Height*



*Recommended mounting height is for optimum performance.

CHART B: Electrical/Mechanical Specifications For Blower Units

Model	Volts	Amps	Hz	CFM SP@0.0"	CFM SP@0.1"	CFM SP@0.25"	CFM SP@0.5"	CFM SP@0.75"	Min. Round Duct Size
M600 Single	115	5.0	60	630	625	615	600	580	6" (28in. ²)
M600 w/WHM300 Harness	115	5.0	60	302	300	295	288	278	6" (28in. ²)
M1200 Dual	115	10.0	60	1035	1015	1000	995	915	10" (79in. ²)

* Hoods are available with LED GU10 lights (2 lights: 30" - 41", 3 lights: 42" - 53", 4 lights: 54"-66").

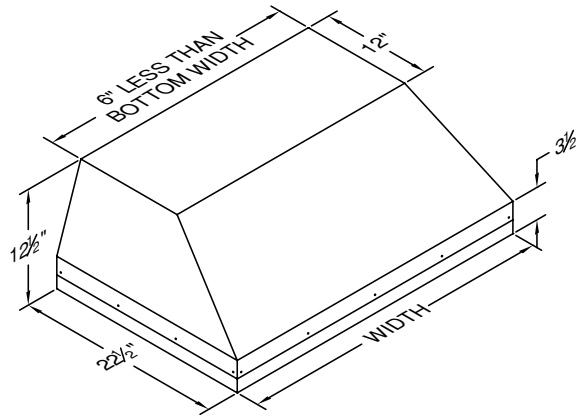
SPECIFICATIONS SUBJECT TO CHANGE WITHOUT NOTICE Rev. 1218A



Equipped with LED GU10 lighting. Not available with heat lamps.

M600 and M1200 blowers are sold separately.

Features a stainless steel fascia, baffle filters, and a gunsmoke powder-coated canopy.



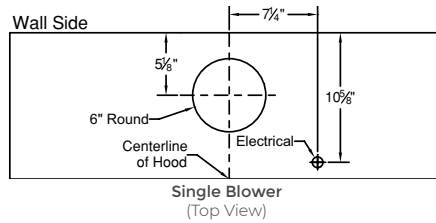
Width:	52 3/8"
Depth:	22 1/4"
Height:	12 1/2"
CFM:	(Chart A)
Sones:	N/A
Amps:	(Chart B)
Number of Lights:	3

CHART A	CFM @ 0.1" S.P.		
Speed	M600	WHM300*	M1200
1	240	240	420
2	300	300	645
3	500	-	865
4	625	-	1015

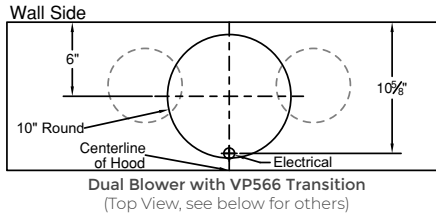
* The WHM300 is a wiring harness that when used with the M600 blower (sold separately) will disable blower speeds exceeding 300 CFM.

Connection Diagrams

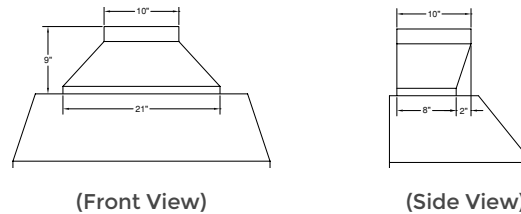
M600 Connection Diagram



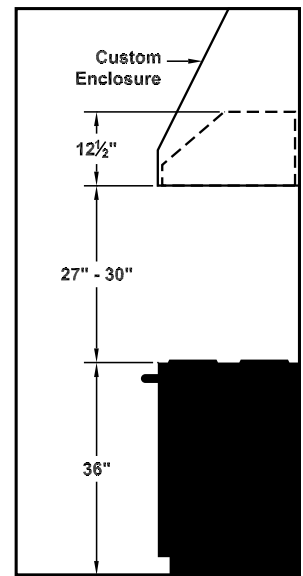
M1200 Connection Diagram



VP566 Transition Details (Included with M1200)



Recommended Mounting Height*



*Recommended mounting height is for optimum performance.

CHART B: Electrical/Mechanical Specifications For Blower Units

Model	Volts	Amps	Hz	CFM SP@0.0"	CFM SP@0.1"	CFM SP@0.25"	CFM SP@0.5"	CFM SP@0.75"	Min. Round Duct Size
M600 Single	115	5.0	60	630	625	615	600	580	6" (28in. ²)
M600 w/WHM300 Harness	115	5.0	60	302	300	295	288	278	6" (28in. ²)
M1200 Dual	115	10.0	60	1035	1015	1000	995	915	10" (79in. ²)

* Hoods are available with LED GU10 lights (2 lights: 30" - 41", 3 lights: 42" - 53", 4 lights: 54"-66").

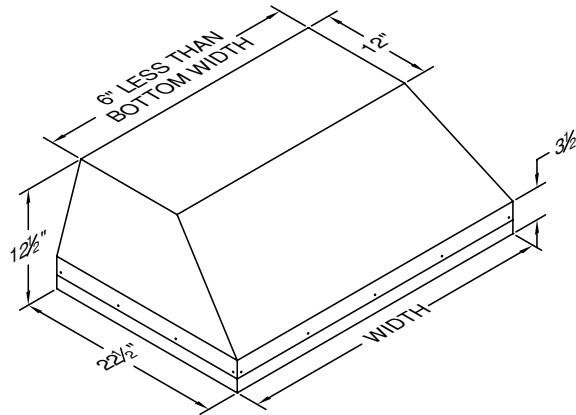
SPECIFICATIONS SUBJECT TO CHANGE WITHOUT NOTICE Rev. 1218A



Equipped with LED GU10 lighting. Not available with heat lamps.

M600 and M1200 blowers are sold separately.

Features a stainless steel fascia, baffle filters, and a gunsmoke powder-coated canopy.



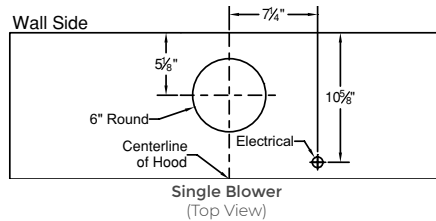
Width:	58 3/8"
Depth:	22 1/4"
Height:	12 1/2"
CFM:	(Chart A)
Sones:	N/A
Amps:	(Chart B)
Number of Lights:	4

CHART A	CFM @ 0.1" S.P.		
Speed	M600	WHM300*	M1200
1	240	240	420
2	300	300	645
3	500	-	865
4	625	-	1015

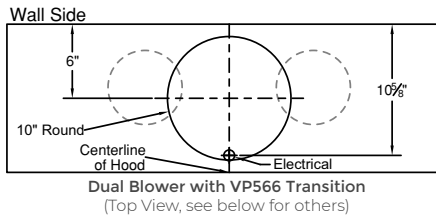
* The WHM300 is a wiring harness that when used with the M600 blower (sold separately) will disable blower speeds exceeding 300 CFM.

Connection Diagrams

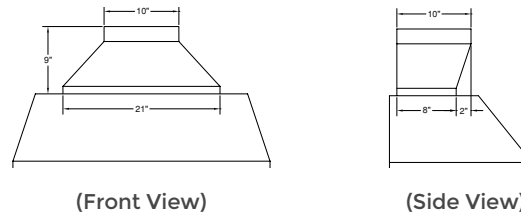
M600 Connection Diagram



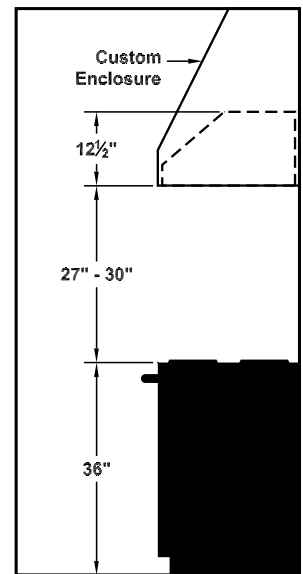
M1200 Connection Diagram



VP566 Transition Details (Included with M1200)



Recommended Mounting Height*



*Recommended mounting height is for optimum performance.

CHART B: Electrical/Mechanical Specifications For Blower Units

Model	Volts	Amps	Hz	CFM SP@0.0"	CFM SP@0.1"	CFM SP@0.25"	CFM SP@0.5"	CFM SP@0.75"	Min. Round Duct Size
M600 Single	115	5.0	60	630	625	615	600	580	6" (28in. ²)
M600 w/WHM300 Harness	115	5.0	60	302	300	295	288	278	6" (28in. ²)
M1200 Dual	115	10.0	60	1035	1015	1000	995	915	10" (79in. ²)

* Hoods are available with LED GU10 lights (2 lights: 30" - 41", 3 lights: 42" - 53", 4 lights: 54"-66").

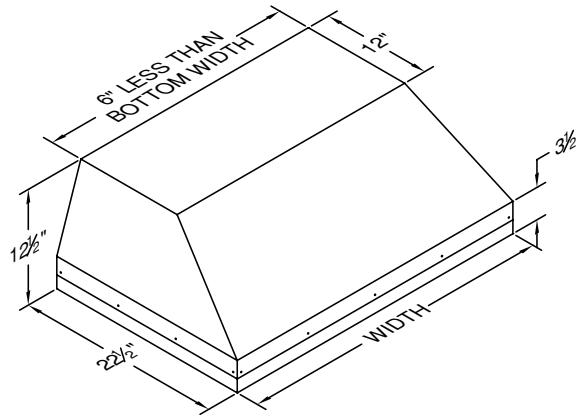
SPECIFICATIONS SUBJECT TO CHANGE WITHOUT NOTICE Rev. 1218A



Equipped with LED GU10 lighting. Not available with heat lamps.

M600 and M1200 blowers are sold separately.

Features a stainless steel fascia, baffle filters, and a gunsmoke powder-coated canopy.



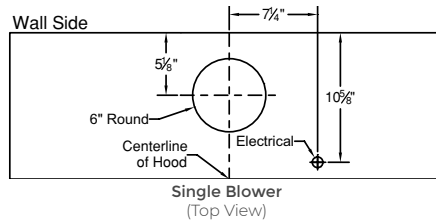
Width:	64 3/8"
Depth:	22 1/4"
Height:	12 1/2"
CFM:	(Chart A)
Sones:	N/A
Amps:	(Chart B)
Number of Lights:	4

CHART A	CFM @ 0.1" S.P.		
Speed	M600	WHM300*	M1200
1	240	240	420
2	300	300	645
3	500	-	865
4	625	-	1015

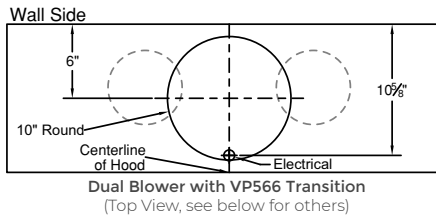
* The WHM300 is a wiring harness that when used with the M600 blower (sold separately) will disable blower speeds exceeding 300 CFM.

Connection Diagrams

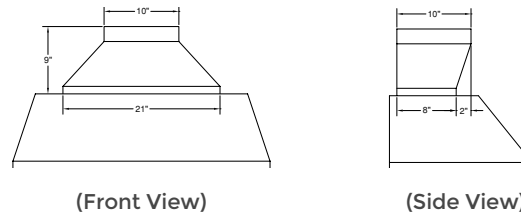
M600 Connection Diagram



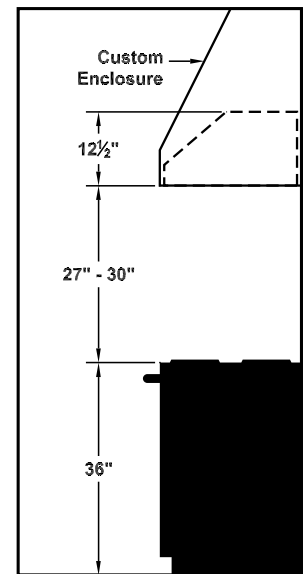
M1200 Connection Diagram



VP566 Transition Details (Included with M1200)



Recommended Mounting Height*



*Recommended mounting height is for optimum performance.

CHART B: Electrical/Mechanical Specifications For Blower Units

Model	Volts	Amps	Hz	CFM SP@0.0"	CFM SP@0.1"	CFM SP@0.25"	CFM SP@0.5"	CFM SP@0.75"	Min. Round Duct Size
M600 Single	115	5.0	60	630	625	615	600	580	6" (28in. ²)
M600 w/WHM300 Harness	115	5.0	60	302	300	295	288	278	6" (28in. ²)
M1200 Dual	115	10.0	60	1035	1015	1000	995	915	10" (79in. ²)

* Hoods are available with LED GU10 lights (2 lights: 30" - 41", 3 lights: 42" - 53", 4 lights: 54"-66").

SPECIFICATIONS SUBJECT TO CHANGE WITHOUT NOTICE Rev. 1218A





Vent Hood®

P.O. Box 830426
1000 N. Greenville Ave.
Richardson, TX 75083-0426

972.235.5201
www.ventahood.com